



Industrial Wireless Communication Products 2011 Product Catalog

Vol. IWCP 1.0.00 (2011.MAY.20)



WLAN Products

DSSS RF Products

2G/3G Products

ZigBee Products

GPS Products

Infrared Products

Industrial Wireless Communication Products

2011 Product Catalog Vol. IWCP 1.0.00 (2011.MAY.20)

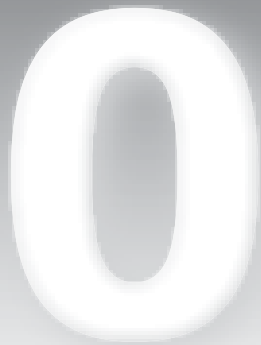


Table of Contents

1	Introduction	
	➤ 1.1. Industrial Wireless Communication Products - - - - -	1-1-1
	➤ 1.2. Wired to Wireless Solutions - - - - -	1-2-1
2	WLAN Products	
	➤ 2.1. Overview - - - - -	2-1-1
	➤ 2.2. WLAN Remote Maintenance Device - - - - -	2-2-1
	➤ 2.3. WLAN Converter - - - - -	2-3-1
	➤ 2.4. Applications - - - - -	2-4-1
3	DSSS RF Products	
	➤ 3.1. Overview - - - - -	3-1-1
	➤ 3.2. 900 MHz Radio Modem - - - - -	3-2-1
	➤ 3.3. 2.4 GHz Radio Modem - - - - -	3-3-1
	➤ 3.4. Applications - - - - -	3-4-1
4	2G/3G Products	
	➤ 4.1. Overview - - - - -	4-1-1
	➤ 4.2. 2G/3G Modems - - - - -	4-2-1
	➤ 4.3. Intelligent 2G/3G Module - - - - -	4-3-1
	➤ 4.4. Mini PAC with 2G/3G Modem - - - - -	4-4-1
	➤ 4.5. Software Solutions - - - - -	4-5-1
5	ZigBee Products	
	➤ 5.1. Overview - - - - -	5-1-1
	➤ 5.2. ZigBee Converters - - - - -	5-2-1
	➤ 5.3. ZigBee I/O Modules - - - - -	5-3-1
6	GPS Products	
	➤ 6.1. Overview - - - - -	6-1-1
	➤ 6.2. GPS Receivers - - - - -	6-2-1
7	Infrared Products	
	➤ 7.1. Overview - - - - -	7-1-1
	➤ 7.2. Infrared Modules - - - - -	7-2-1
8	Accessories	
	➤ 8.1. Applications & Selection Guides - - - - -	8-1-1
	➤ 8.2. 2.4 GHz Omni-directional External Antennas - - - - -	8-2-1
	➤ 8.3. 2.4 GHz Directional External Antennas - - - - -	8-3-1

Introduction

1

1.1. Industrial Wireless Communication Products

P1-1-1

- WLAN Products - - - - - P1-1-2
- DSSS RF Products - - - - - P1-1-2
- 2G/3G Products - - - - - P1-1-2
- ZigBee Products - - - - - P1-1-3
- GPS Products - - - - - P1-1-3
- Infrared Products - - - - - P1-1-3
- Accessories - - - - - P1-1-3

1.2. Wired to Wireless Solutions

P1-2-1

- Serial to Wireless Solutions - - - - - P1-2-2
- CAN Bus Wireless Solutions - - - - - P1-2-3
- Ethernet to Wireless Solutions - - - - - P1-2-3
- Real-time GPS Tracking Solutions - - - - - P1-2-4



1.1. Industrial Wireless Communication Products

1

Introduction

Industrial Wireless Communication creates new prospects for automation. In the harsh environment, chemicals, vibrations, or moving parts could potentially damage cabling. Industrial Wireless Communication system substantially reduces cost and time for the installation and maintenance of the large number of cable, thus makes plants setup and reconfiguration easy and safe.

ICP DAS provides a great variety of wireless products with modular and universal solution specially designed for industrial harsh environment.

ICP DAS Wireless and Mobile Total Solution

APPLICATION

- SMART SMART
- VxComm Utility
- NAPOPC
- Software/SCADA/Utility
- InduSoft
- EZ Data Logger
- Soft-GRAF
- Web HMI

CONTROL

- WP/LP-5000
- WP/LP-8000
- IPAC-8000
- ViewPAC-2xWx
- XPAC-8000
- IO Modules
- μPAC/PDS
- X Board
- PCI/ISA Card

COMMUNICATION

DSSS RF	2G/3G	WLAN	ZigBee	GPS	PROFIBUS / CAN Bus
SST-2450	GTM-201 Series	Wi-Fi AP	ZigBee Converters	GPS Receivers	Converter / Gateway
RF-87Kn	G-4500 Series	I-7540D-WF	ZigBee I/O	Train	CAN-8000
CNC Machine	GT-500 Series	M2M-711D	ZigBee Repeater	Public Transportation	CAN Device
Meters	Truck	Barcode Reader	Remote Controller	Cruise	PROFIBUS Device
DSSS RF/2G/3G/WLAN/GPS/Zigbee					PROFI-8000

Device

1

Industrial Wireless Communication Products

• WLAN Products

Chapter 2

WLAN (Wireless Local Area Network) links devices by wireless distribution method (spread-spectrum or OFDM radio), and generally provides a connection through an access point to the internet. WLAN allows users to move device within a local coverage area, and still be connected to the network. High-bandwidth allocation for wireless will make a relatively low-cost wiring possible.

ICP DAS provides a great variety of WLAN products which are compliant with standard of IEEE 802.11. The WLAN products have two modes: Ad-hoc and Infrastructure.



Chapter 3

• DSSS RF Products

DSSS RF (direct-sequence spread spectrum) is a modulation technique, which is the process of varying one or more properties of a high frequency periodic wave called the carrier signal, with respect to a modulating signal. The benefits of using DSSS include, but not limited to, 1) reduced signal/background-noise level hampers interception and 2) resistance to intended or unintended jamming.

ICP DAS provides SST series which is designed for data acquisition control applications between a host and remote sensors. It is also useful for those applications where the installation of cable wire is inconvenient.



Chapter 4

• 2G/3G Products

ICP DAS 2G/3G wireless solutions are uniquely designed to meet the challenges of implementing and managing a small, medium and large number of unmanned remote devices as well as mobile terminals using the 2G/3G telecom network. The ICP DAS 2G/3G wireless system is comprised of intelligent 2G/3G modems with versatile interfaces, a 2G/3G Data Server (DS), and 2G/3G PACs with embedded dynamic IP resolution technology to help system integrators and application service providers can quickly integrate 2G/3G technology into their own solutions, and save development time with reduced costs and assured performance.



• ZigBee Products

ZigBee is a specification based on the IEEE 802.15.4 standard for wireless personal area networks (WPANs). ZigBee operates in the ISM radio bands and its focus is to define a general purpose, inexpensive, self-organizing, mesh network that can be used for industrial control, embedded sensing, medical data collection, smoke and intruder warning, building automation, and home automation, etc.



Chapter 5

• GPS Products

GPS (Global Positioning System) is widely used for driving navigation, geographic monitoring, fleet management and cargo tracking, etc. We also can use GPS for industrial application according to its longitude and latitude value and UTC time. ICP DAS provides various modules for different applications. Some are pure GPS data receivers and some add DO channels. Some even can generate a UTC synchronized 1 PPS (Pulse Per Second) output signal. You can refer the following selection guide in chapter 5 to choose the suitable GPS modules for your application.



Chapter 6

• Infrared Products

IR data transmission is employed in short-range communication among computer peripherals and personal digital assistants. These devices usually conform to standards published by IrDA.

ICP DAS has developed various IR products to apply in home automation. These IR products will help users to control and integrate these IR devices into a control system. Therefore, by integrating the PAC and others series of ICP DAS, users can easily to establish the home automation system.



Chapter 7

• Accessories

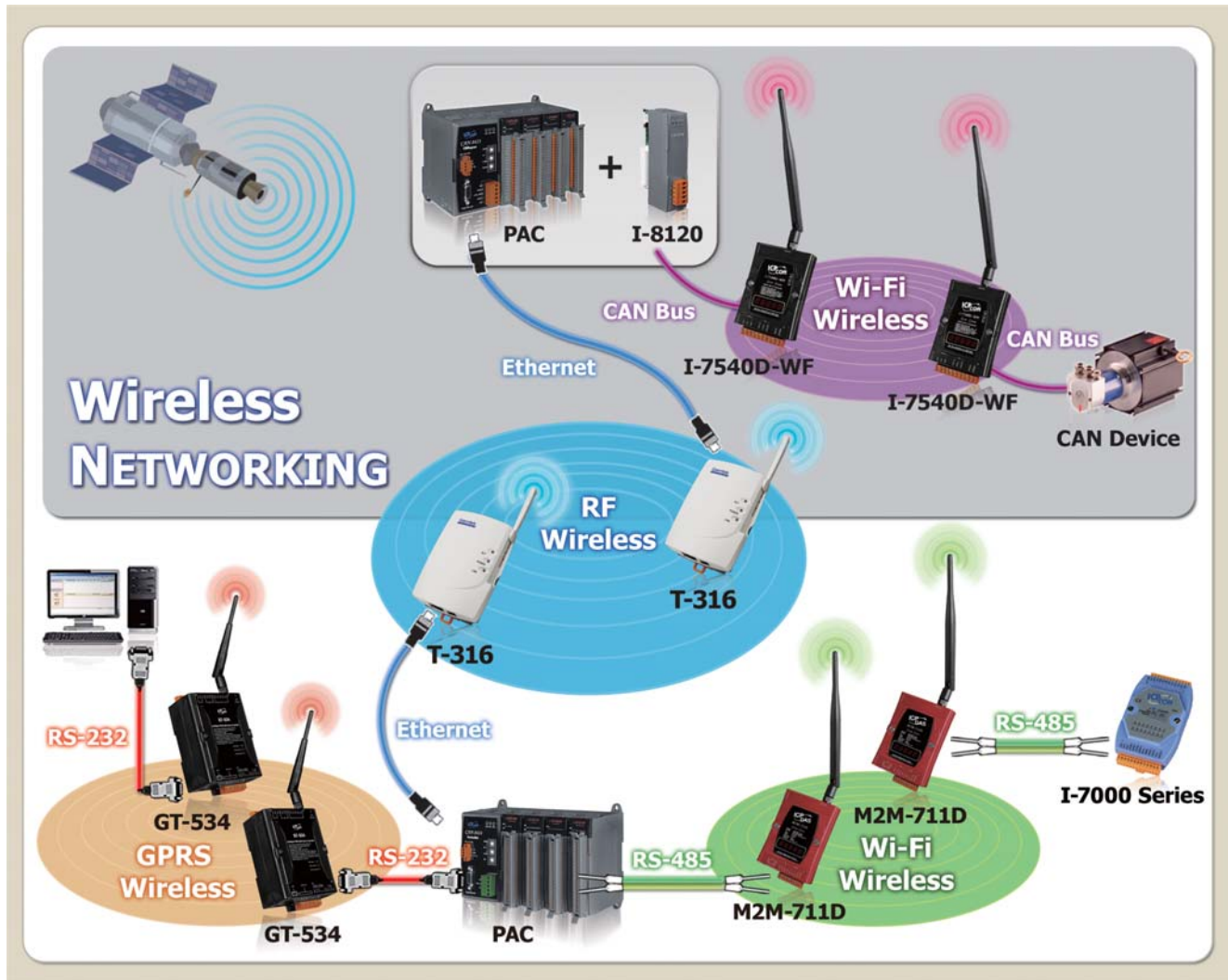
Antennas are required by any radio receiver or transmitter in order to couple its electrical connection to the electromagnetic field. Amplifier is a device for increasing the power of a signal. ICP DAS provides various accessories including external antennas and amplifiers to extend communication length of a wireless network.



Chapter 8

1.2. Wired to Wireless Solutions

ICP DAS Wired to Wireless Solution is a cost effective solution designed to offer users more flexible and inexpensive ways to send and receive data. The aim of wireless technology is quite simple: to remove the restrictions put on messy wires and cables both inside the site and out. The wireless products by ICP DAS are also designed to be as easy as cables in use. There is no complex wireless connection software or intimate knowledge is required to connect your serial device over wireless. To achieve multiple goals, ICP DAS Wired to Wireless Solutions include , serial to wireless, CAN to wireless, Ethernet to wireless, and wireless I/O products to provide ubiquitous wireless coverage through the entire network.



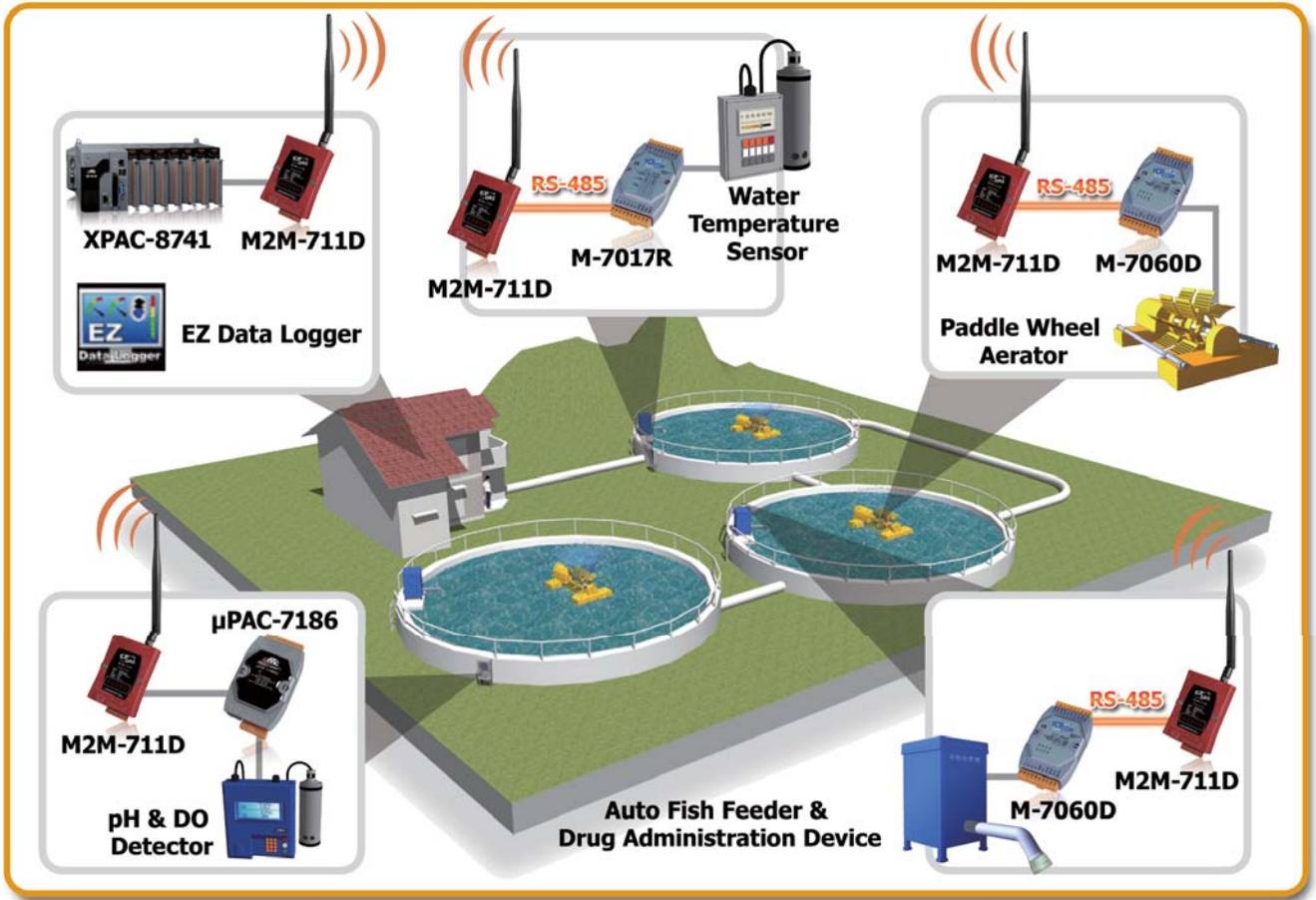
The key benefits of wireless technology:

- Increase efficiency – improved communications leads to faster transfer of information
- Users are rarely out of touch – stay in communication anywhere and anytime
- Greater flexibility and mobility – access network more freely
- Reduce costs – cheaper to install and maintain a wireless network

Serial to Wireless Solutions

1

Introduction



2

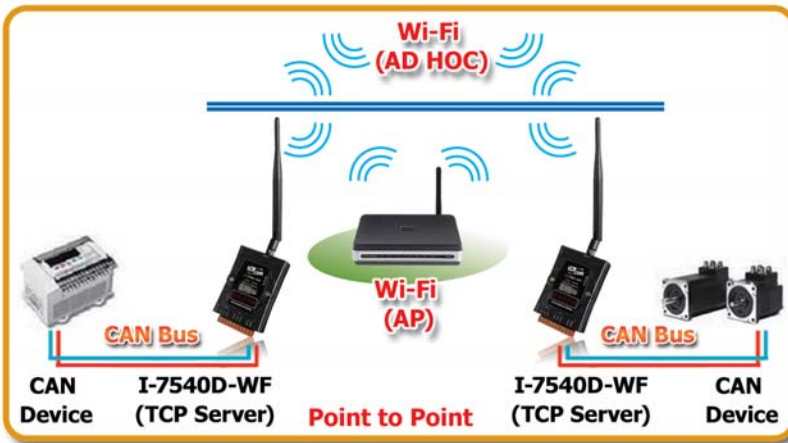
Wired to Wireless Solutions

Setting up a fixed-line network on site is relatively complicated, makes the agricultural production technology underdeveloped, and left behind the state of the art in factories of manufactured products. The application shown above is a project aiming to improve the production process in fish farms using new perception, control and automation technologies. Simply converting serial signal to wireless allows fisher to monitor or control fish farm easily.

It is easy to convert serial RS-232/485 to a wireless product by wireless modems or with converters instead of running a wire. All of the following products allow you to convert a serial port to a wireless serial connection.

Model Name	Interface	Wireless	Page
Serial to WLAN			
M2M-711D	RS-232 RS-485	Wi-Fi (802.11b/g)	2-2-1
Serial to DSSS RF			
SST-900B	RS-232 RS-485	DSSS RF (900 MHz)	3-2-1
SST-2450	RS-232 RS-485	DSSS RF (2.4 GHz)	3-3-1
Serial to ZigBee			
ZB-2550(P)	RS-232 RS-485	ZigBee Host (2.4 GHz)	5-2-1
ZB-2551(P)	RS-232 RS-485	ZigBee Slave (2.4 GHz)	5-2-1

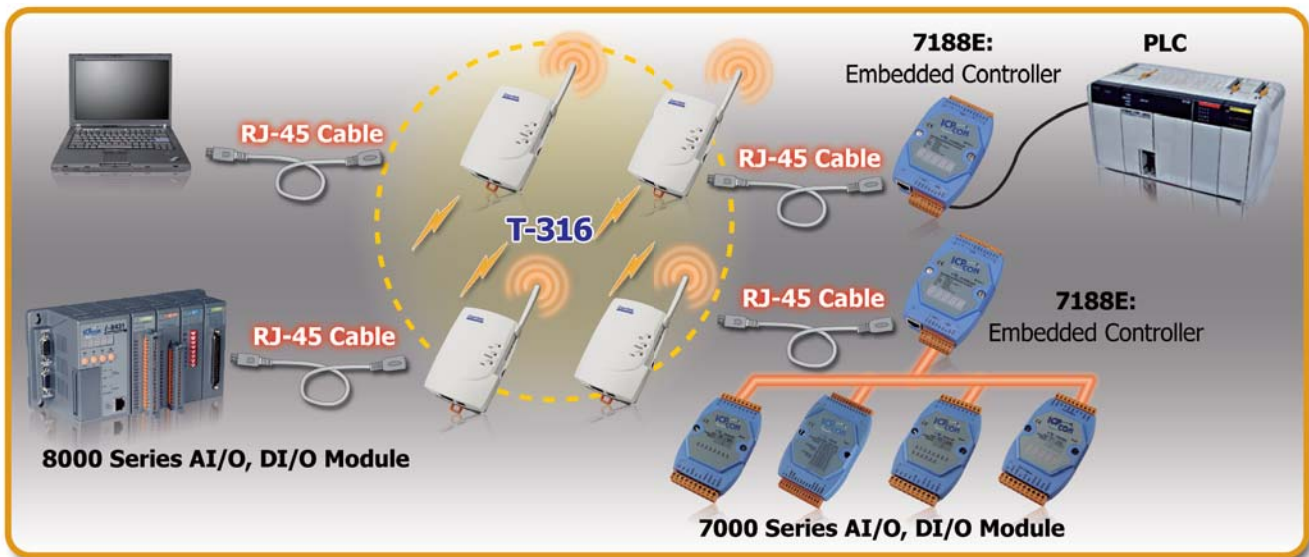
• CAN Bus Wireless Solutions



Controller Area Network (CAN) is a message-based protocol, designed specifically for automotive applications but now also used in other areas such as industrial automation and medical equipment. ICP DAS provides CAN to Wi-Fi product to support the wireless transmission of CAN data between various CAN networks or a CAN network and a WLAN network according to the 802.11b/g standard.

Model Name	Interface	Wireless	Page
CAN to WLAN			
I-7540D-WF	CAN / RS-232	Wi-Fi (802.11b/g)	2-3-1

• Ethernet to Wireless Solutions



The applications of 802.11b/g wireless LAN are getting more popular by mature technology. It is not only faster than the industrial traditional transmission i.e. RS-232, RS-485, RS-422 etc, but also able to reduce the troublesomely wiring works. It also has higher mobility than Ethernet network. The multipoint wireless network of a short distance using Ad-hoc mode is shown in the above figure. There is also infrastructure mode which supports long distance as user's option.

Model Name	Interface	Wireless	Page
Ethernet to WLAN			
T-316	Ethernet	Wi-Fi (802.11b/g)	2-3-3
Ethernet to ZigBee			
ZB-2570(P)	Ethernet	ZigBee Host (2.4 GHz)	5-2-4
ZB-2571(P)	Ethernet	ZigBee Slave (2.4 GHz)	5-2-4

• Real-time GPS Tracking Solutions

1

Introduction



2

Wired to Wireless Solutions

The application shown above is a vehicle and parcel tracking system using GPS and GPRS technology. The GT-540P collects information including GPS location, speed, heading and events such as key on/off, door open/close and transmits the data in real-time via cellular or satellite networks to a computer or shipping warehouse for evaluation. Other than vehicle tracking, package loading or delivering will be transmitted as well. When a cellular network is available and GT-540P is connected, it transmits data to a server; when a network is not available the device stores data in the internal memory and will transmit stored data to the server later.

Model Name	Interface	Wireless	Page
GTM-201P-3GWA	GPS RS-232 USB 2.0	2G (GSM/GPRS) 3G (UMTS/HSDPA/HSUPA)	4-2-4
I-8213W	GPS	2G (GSM/GPRS)	4-2-7
GT-540P	GPS RS-232 RS-485	2G (GSM/GPRS)	4-3-7
G-4500P(D)-2G	GPS RS-232 RS-485	2G (GSM/GPRS)	4-4-1
G-4500P(D)-3GWA	GPS RS-232 RS-485	2G (GSM/GPRS) 3G (UMTS/HSDPA/HSUPA)	4-4-4

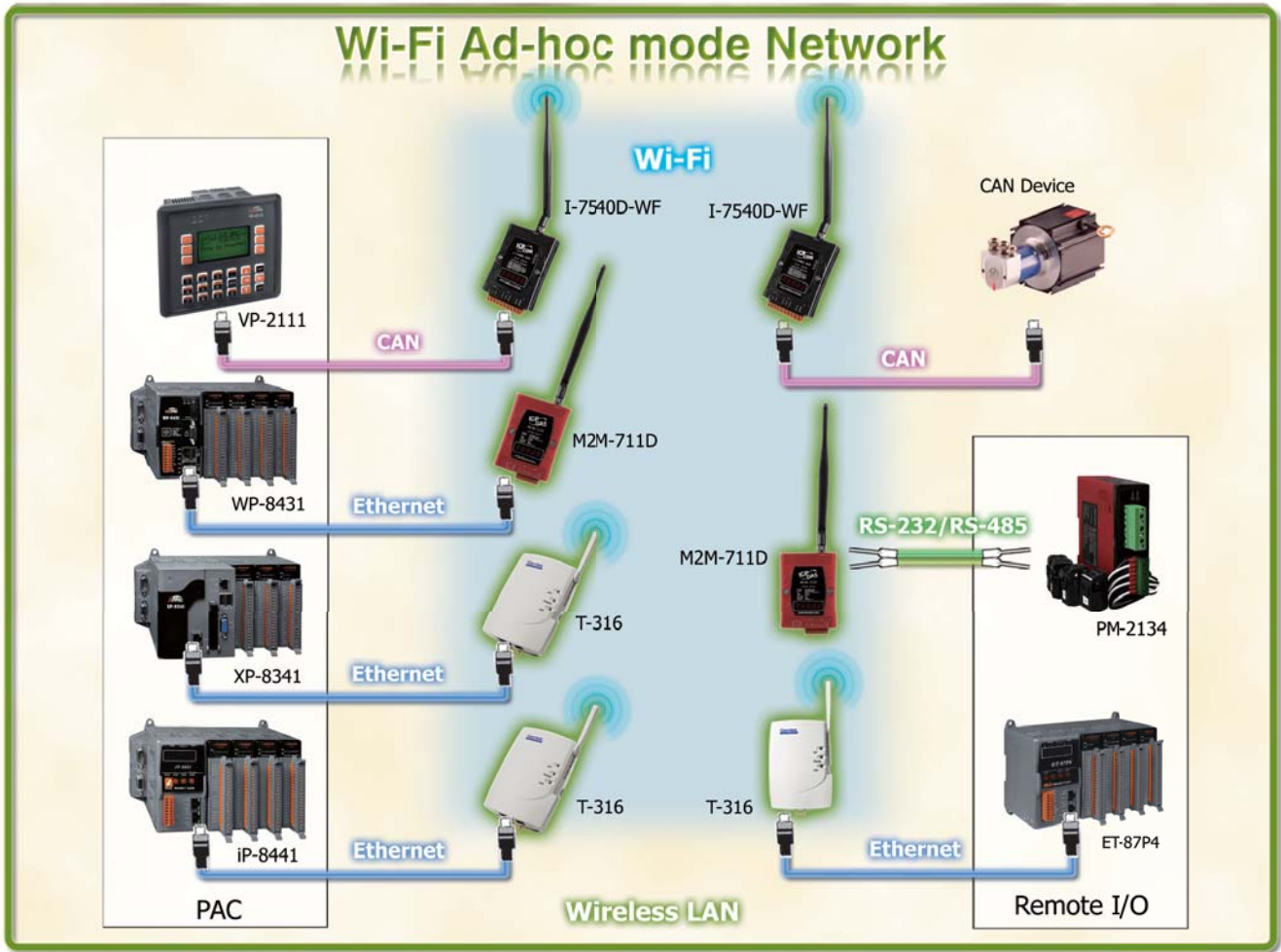
WLAN Products

2

2.1. Overview	P2-1-1
2.2. WLAN Remote Maintenance Device	P2-2-1
2.3. WLAN Converter	P2-3-1
2.4. Applications	P2-4-1



2.1. Overview



WLAN (Wireless Local Area Network) links devices by wireless distribution method (spread-spectrum or OFDM radio), and generally provides a connection through an access point to the internet. WLAN allows users to move device within a local coverage area, and still be connected to the network. High-bandwidth allocation for wireless will make a relatively low-cost wiring possible.

Advantages & Benefits

- Build a wireless network via Wi-Fi technology. There is no need to build an expansive fixed line network.
- Enable CAN/Serial/Ethernet device to be connected to the same network via Wi-Fi without any cable.
- Use widely available IEEE 802.11 (Wi-Fi) or Ethernet network infrastructure.
- Support IEEE 802.11 b/g for Wi-Fi and Ad Hoc modes.
- Secure data access with WEP, WPA, WPA2.

WLAN Product Selection Guide



Nowadays, Wireless LAN applications are very popular. They're not only faster than traditional industrial transmissions, i.e. RS-232, RS-485, RS-422 etc, but are also able to minimize the need for troublesome wiring tasks and have a higher mobility than an Ethernet network. ICP DAS provides a great variety of WLAN products, which are compliant with standard of IEEE 802.11. The WLAN products have two modes: Ad-hoc and Infrastructure.

2

WLAN Products

1

Overview

✓ WLAN Remote Maintenance Device

Model Name	Standard	Data Rate	Page
M2M-711D	IEEE 802.11b DSSS (2.4 GHz ISM radio band)	11 Mbps, 5.5 Mbps, 1 Mbps (Auto scaling)	2-2-1

✓ CAN to WLAN Converter

Model Name	Standard	Data Rate	Page
I-7540D-WF	IEEE 802.11b DSSS (2.4 GHz ISM radio band)	11 Mbps, 5.5 Mbps, 1 Mbps (Auto scaling)	2-3-1

✓ LAN to WLAN Converter

Model Name	Standard	Data Rate	Page
T-316	IEEE 802.11b DSSS (2.4 GHz ISM radio band)	11 Mbps, 5.5 Mbps, 1 Mbps (Auto scaling)	2-3-3

2.2. WLAN Remote Maintenance Device



- ### Features
- Supply static IP/DHCP (Ad Hoc mode don't support DHCP)
 - Ethernet Protocol: TCP, UDP, IP, ICMP, ARP,RARP
 - Provide dynamic DNS function
 - Support IEEE 802.11 b/g for Wi-Fi mode and Ad Hoc mode
 - Support WEP-64,WEP-128, WPA-TKIP and WPA2-AES encryption for Wi-Fi mode
 - Support WEP-64,WEP-128 encryption for Ad Hoc mode
 - Support 1~13 RF channels
 - Auto control channel in AP mode
 - Ad Hoc mode transmission range up to 100 m(Line of sight)
 - Accommodate with M-4132, M2M-720A, M2M-710D
 - Web-based administration



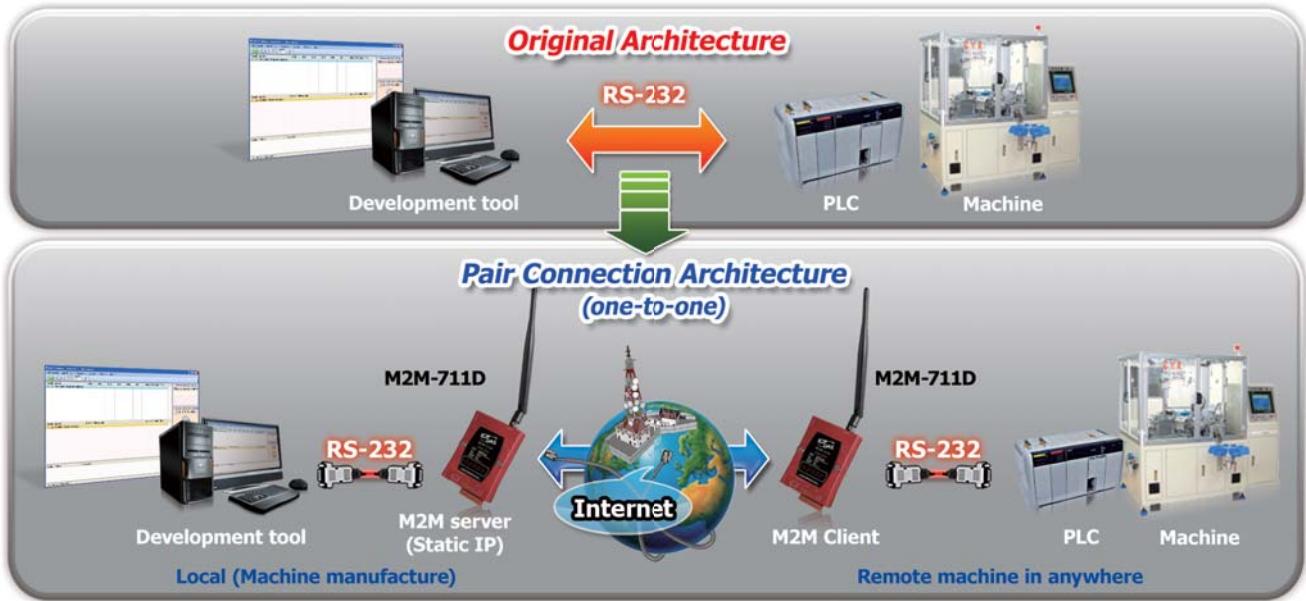
Introduction

The M2M-711D module is specially designed for the remote maintenance and upgrading the serial to network application solution. Users can choose Ethernet mode or Wi-Fi mode to do the pair connection, which provides TCP data tunneling between two serial devices. In addition to M2M-710D original features, M2M-711D has the Ad Hoc mode of operation. This operation mode can be used to extend the distance of RS232/485 network without Wi-Fi AP and Ethernet Hub.

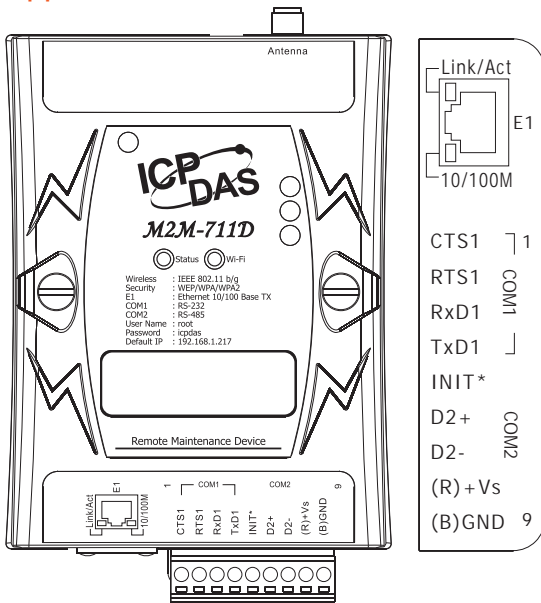
Specifications

Models	M2M-711D
System	
CPU	80186, 80 MHz
SRAM	512 KB
Flash	Flash ROM: 512 KB; Erase unit is one sector (64 KB); 100,000 erase/write cycles
EEPROM	16KB; Data retention: 40 years; 1,000,000 erase/write cycles
Built-in Watchdog Timer	Yes
Communication Interface	
COM1	RS-232 (Rx/D, Tx/D,RTS,CTS,DTR,DSR,GND); Non-isolation
COM2	RS-485 (DATA+, DATA-); Non-isolation
Ethernet Port	10/100 Base-TX
LED Display	
5-Digit 7 Segment LED	Yes
System LED Indicator	Yes
Wi-Fi Module	
RF channels	0~13; 0: Auto control channel in AP mode
Receiving sensitivity	-87 dBm(IEEE 802.11b) / -72 dBm (IEEE 802.11g)
Data encryption	WPA-TKIP / WPA2-AES / WEP-64 /WEP-128
Transmit Power	12 dBm(IEEE 802.11b) / 14 dBm(IEEE 802.11g)
Antenna	2.4 GHz - 2 dBi Omni-Directional antenna
Transmission range (LOS)	100M
Power	
Protection	Power reverse polarity protection
Required Supply Voltage	+10 Vdc ~ +30 Vdc
Mechanical	
Casing	Plastic
Flammability	Fire Retardant Materials (UL 94V-0 Level)
Dimensions (W x L x H)	76 mm x 117 mm x 37 mm
Installation	DIN-Rail
Environment	
Operating Temperature	-25 °C ~ +75 °C
Storage Temperature	-40 °C ~ +80 °C
Humidity	5% ~ 90% RH, Non-condensing

Applications

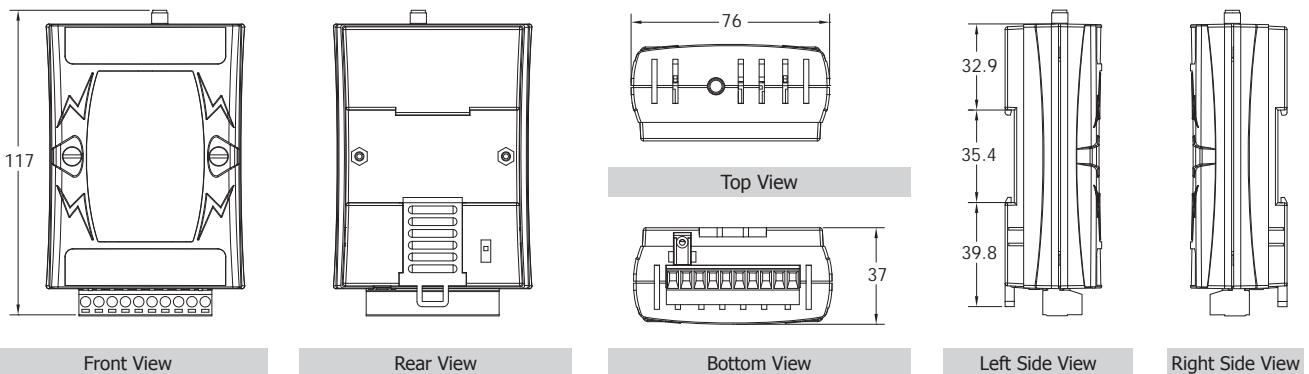


Appearance



Pin	Name	Description
1	CTS1	CTS of RS-232
2	RTS1	RTS of RS-232
3	RxD1	Rx of RS-232
4	TxD1	Tx of RS-232
5	INIT*	Init Pin
6	D2+	DATA+ of RS-485
7	D2-	DATA- of RS-485
8	(R)+Vs	V+ of Power Supply (+10 ~ +30 Vdc)
9	(B)GND	GND of Power Supply

Dimensions (Units: mm)



Ordering Information

M2M-711D CR	Remote maintenance Wi-Fi Device Terminal Unit
-------------	---

2.3. WLAN Converter



Features

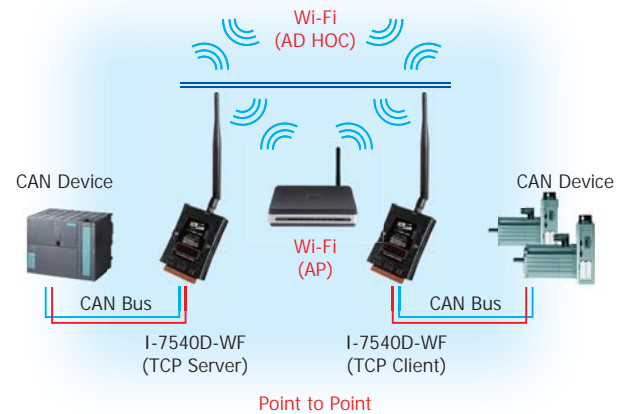
- IEEE 802.11b/g compliant
- Wireless data transmission via WLAN
- Two different operation modes: infrastructure and ad-hoc
- Point to point or point to multi-points connection via wireless LAN
- Support WEP, WPA and WPA2 encryption for wireless LAN
- CAN 2.0A/2.0B compliant
- Connect CAN networks via a WLAN bridge
- Communication efficiency: one-way is up to 700 fps (client->server, server->client), two-way 350 fps (client<=>server)
- Wireless communication: 100m(Without PA) / 300m(With PA)



Introduction

I-7540D-WF supports the wireless transmission of CAN data between various CAN networks or a CAN network and a WLAN network according to the 802.11b/g standard. I-7540D-WF is highly suitable for connecting mobile (e.g., vehicles or machines) or stationary CAN networks and often used for short ranges up to 100 or 300 m.(TCP data protocols are available.) Using an appropriately configured router, CAN data can be transmitted over the Internet. There are two operating modes in the I-7540D-WF: access point mode and ad-hoc mode. In the access point mode, the data connection takes place over one or several WLAN access points that are often part of the company's internal IT infrastructure. In the ad-hoc mode, a direct connection is established between a single I-7540D-WF device and a PC or laptop (with an integrated WLAN interface), or with a second I-7540D-WF device. In this way, the I-7540D-WF can be used as a CAN diagnosis interface. The wireless connection that is established between two I-7540D-WF units can be used instead of a cable, and enables the connection of CAN networks.

Applications

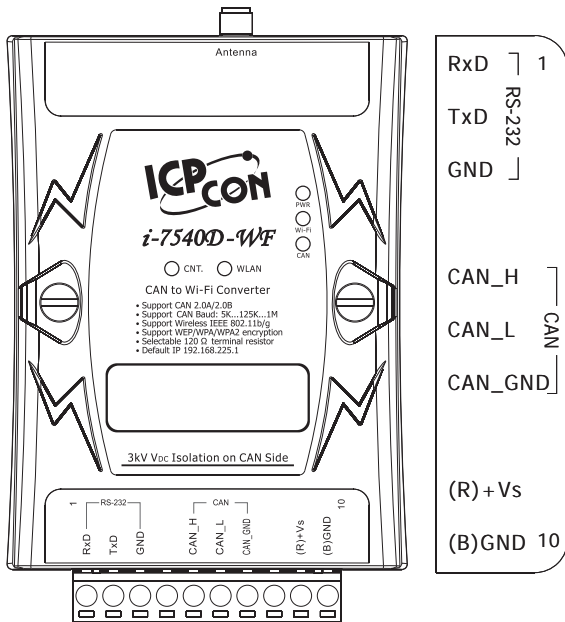


Specifications

Models	I-7540D-WF
Hardware	
CAN Port Channels	1
CAN Interface	
Controller	CAN Controller inside
Transceiver	NXP 82C250
Connector	10-pin screw terminal connector
Baused Rate (bps)	5K ~ 1 Mbps
Isolation	3000 V _{DC} power protection on CAN side, 2500 V _{rms} photo-couple isolation on CAN bus
Terminator Resistor	Selectable 120 Ω terminator resistor by jumper
Specification	ISO-11898-2, CAN 2.0A and CAN 2.0B
Pin Assignment	CAN_H, CAN_L
Max. Data Flow	700 fps (one-way)
UART Interface	
Connector	10-pin screw terminal connector
COM	RS-232 (TxD, RxD, GND)
Baud Rate (bps)	115200
Wi-Fi Module	
RF channels	0~13; 0: Auto control channel in AP mode
Receiving sensitivity	-87 dBm (IEEE 802.11b) / -72 dBm (IEEE 802.11g)
Data encryption	WPA-TKIP / WPA2-AES / WEP-64 / WEP-128
Transmit Power	12 dBm (IEEE 802.11b) / 14 dBm (IEEE 802.11g)
Antenna	2.4 GHz - 2 dBi Omni-Directional antenna
Transmission range (LOS)	100M

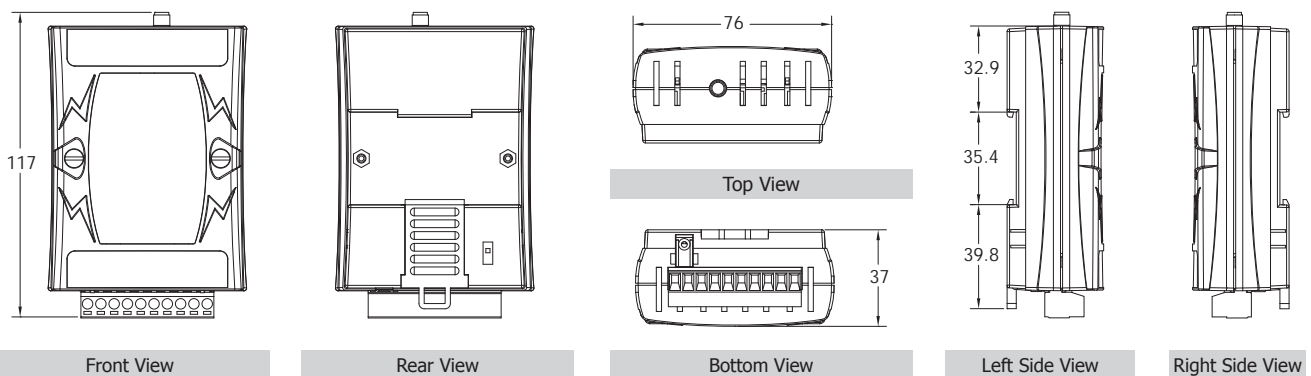
Models	I-7540D-WF
LED Indicators	
Round LED	PWR / Wi-Fi / CAN / CNT / WLAN
Power	
Required Supply Voltage	+10 Vdc ~ +30 Vdc
Power Consumption	1.5 W
Dip Switch	Init (Firmware Update) / Normal (Firmware Operation)
Mechanical	
Casing	Plastic
Flammability	Fire Retardant Materials (UL 94V-0 Level)
Dimensions (W x L x H)	76 mm x 117 mm x 37 mm
Installation	DIN-Rail
Environment	
Operating Temperature	-25 °C ~ +75 °C
Storage Temperature	-40 °C ~ +80 °C
Humidity	5% ~ 90% RH, Non-condensing

Appearance



COM Port & Power Input		
Pin	Name	Description
1	RxD	RS-232
2	TxD	
3	GND	
4	--	--
5	CAN_H	CAN
6	CAN_L	
7	CAN_GND	
8	--	--
9	(R)+Vs	Power Input +10 VDC ~ +30 VDC
10	(B)GND	

Dimensions (Units: mm)



Ordering Information

I-7540D-WF CR	CAN to Wi-Fi Converter (RoHS)
---------------	-------------------------------



Features

- 802.11b Ethernet Client
- Web-based Configuration
- Web-based Firmware Upgrades
- 64/128-bit WEP
- No Driver Installation Required
- Plug and Play Operation
- Directional 6dBi Gain Antenna
- AP Priority List
- Small and Compact



Introduction

The T-316 is an Ethernet LAN to wireless LAN converter. It requires no software or drivers to be installed and the configuration process is very simple. The current hardware system or currently running programs do not need to be modified in order to enjoy the benefits of wireless transmission.

Operating Modes

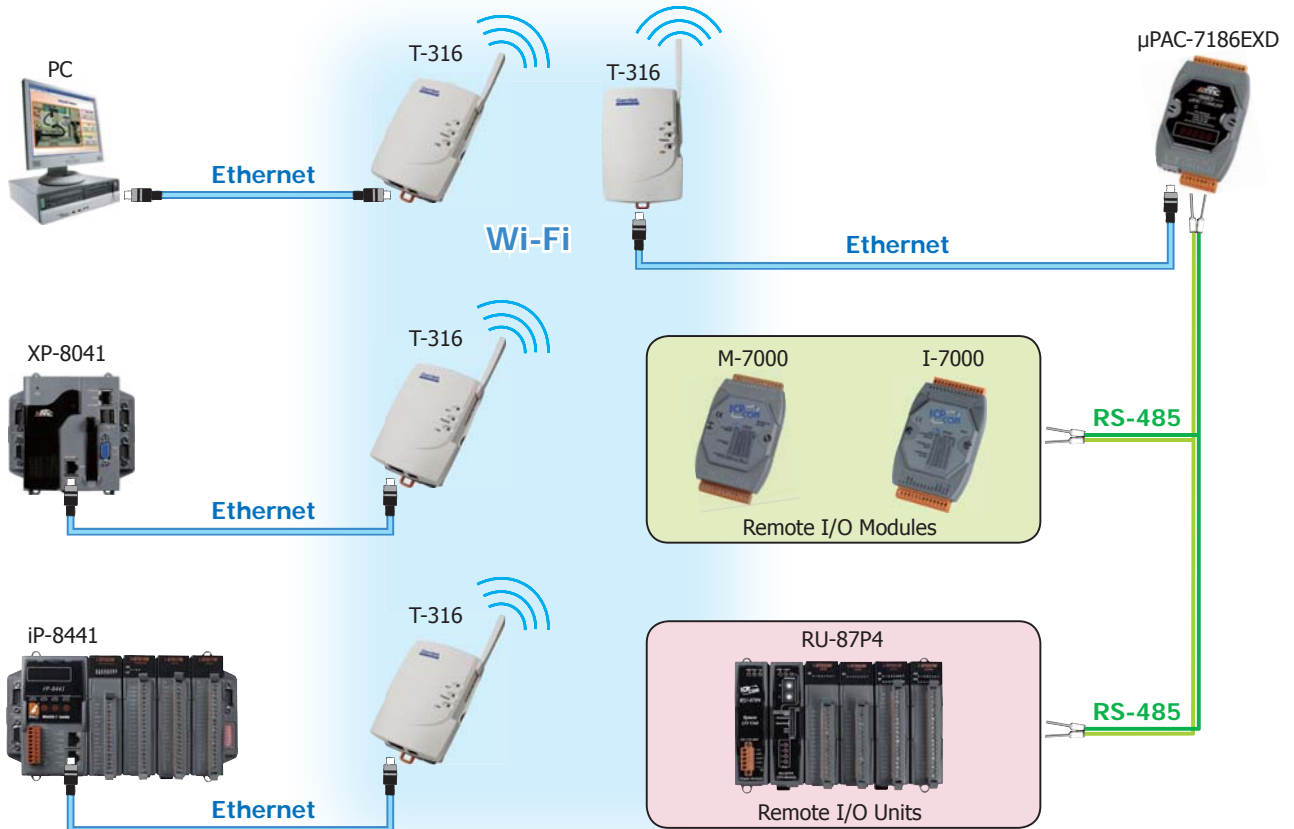
Ad-hoc Mode

An Ad-hoc network is formed using a number of wireless stations (without an Access Point) and communicates via radio waves. For the user, the shared resources on the wireless network appear exactly as they would on a regular wired network. The wireless operation of the network is totally transparent.

Infrastructure Mode

An Infrastructure network is formed using a number of stations together with one or more Access Points (APs), with the stations positioned within a set distance from the AP. This mode supports long distance transmissions.

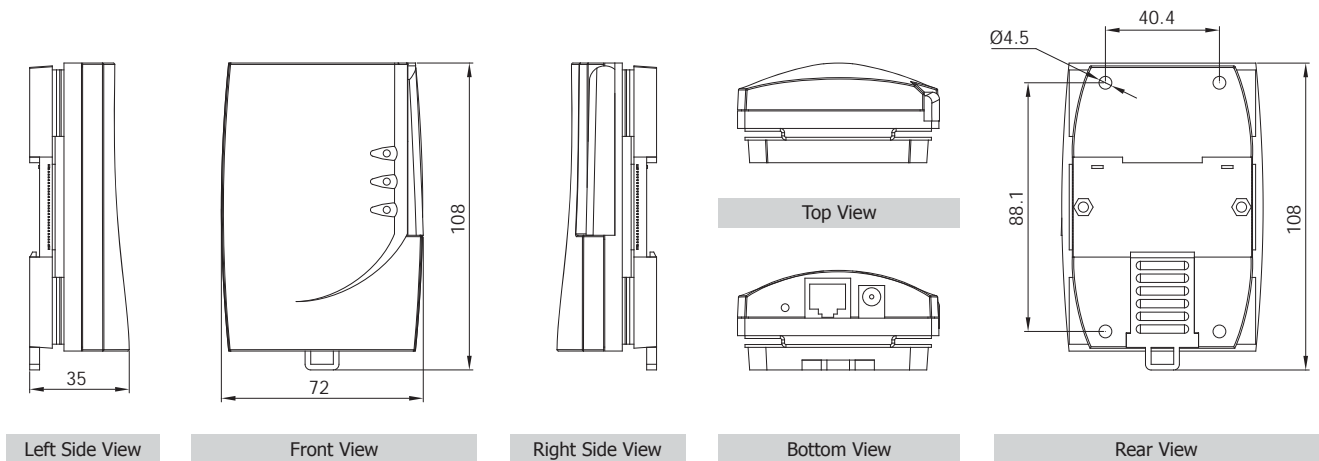
Applications



Specifications

Models		T-316
Wireless		
Standard	IEEE 802.11b DSSS (2.4 GHz ISM radio band)	
Data Rate	11 Mbps, 5.5 Mbps, 1 Mbps (Auto scaling)	
Transmit Power	+15 dBm (typical)	
Data Rate Sensitivity	11 Mbps	-84 dBm
	5.5 Mbps	-87 dBm
	1 Mbps	-90 dBm
Modulation	11 Mbps	CCK
	5.5 Mbps	CCK
	1 Mbps	DBPSK
Antenna	Internal patch antenna with diversity	
Transmission Range	100 m	
General		
System Interface	Ethernet (RJ-45)	
LAN	802.3 compliant for wired LAN	
LED Indicators		
Power	Yes	
RF Activity	Yes	
LAN Activity	Yes	
Power		
Operating Voltage	+3.3 Vdc +/- 5 % or +5.0 Vdc +/- 5 %	
Current Consumption	500 mA (Max.)	
Mechanical		
Dimensions (W x H x D)	72 mm x 108 mm x 35 mm	
Weight	250 g	
Environment		
Operating Temperature	0 °C ~ +55 °C	
Humidity	10 ~ 95% RH, Non-condensing	

Dimensions (Units: mm)



Ordering Information

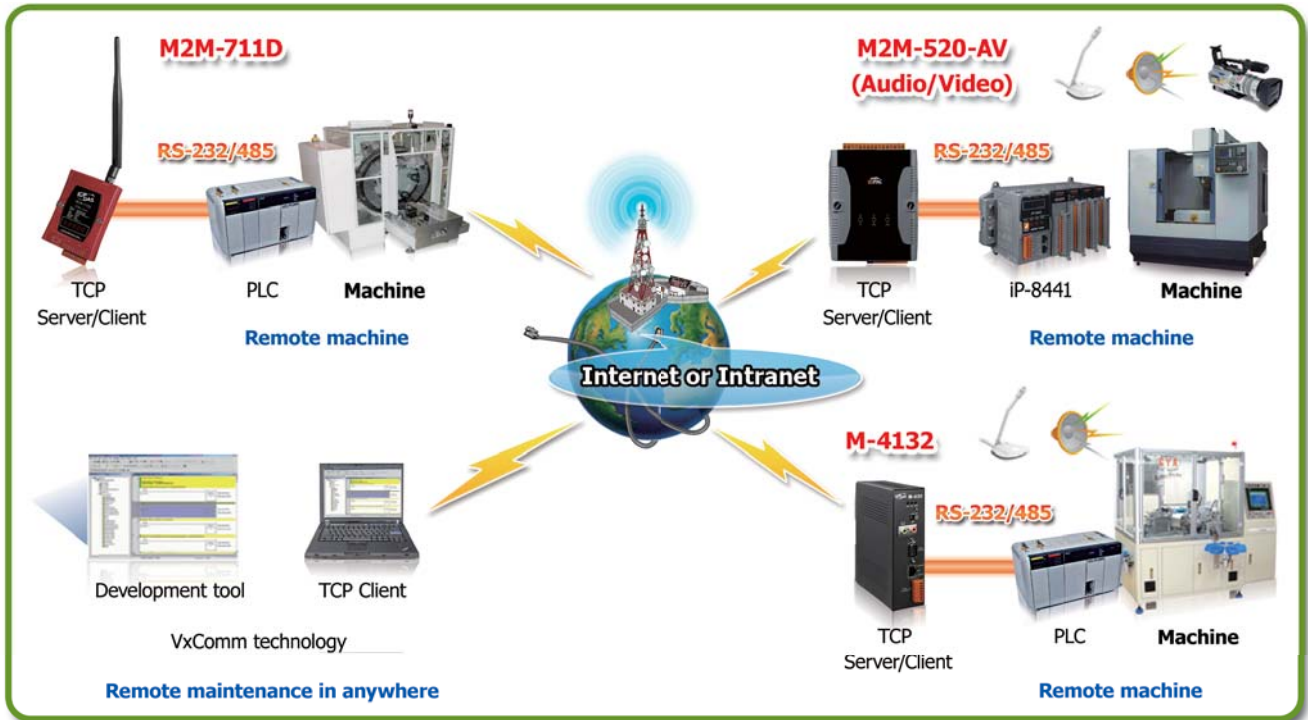
T-316	Smart WLAN Ethernet Client
-------	----------------------------

2.4. Applications

2

WLAN Products

Remote Maintenance Application



4

Applications

CAN to Wi-Fi Application



Wireless LAN Application



DSSS RF Products

3

3.1. Overview	P3-1-1
3.2. 900 MHz Radio Modem	P3-2-1
3.3. 2.4 GHz Radio Modem	P3-3-1
3.4. Applications	P3-4-1



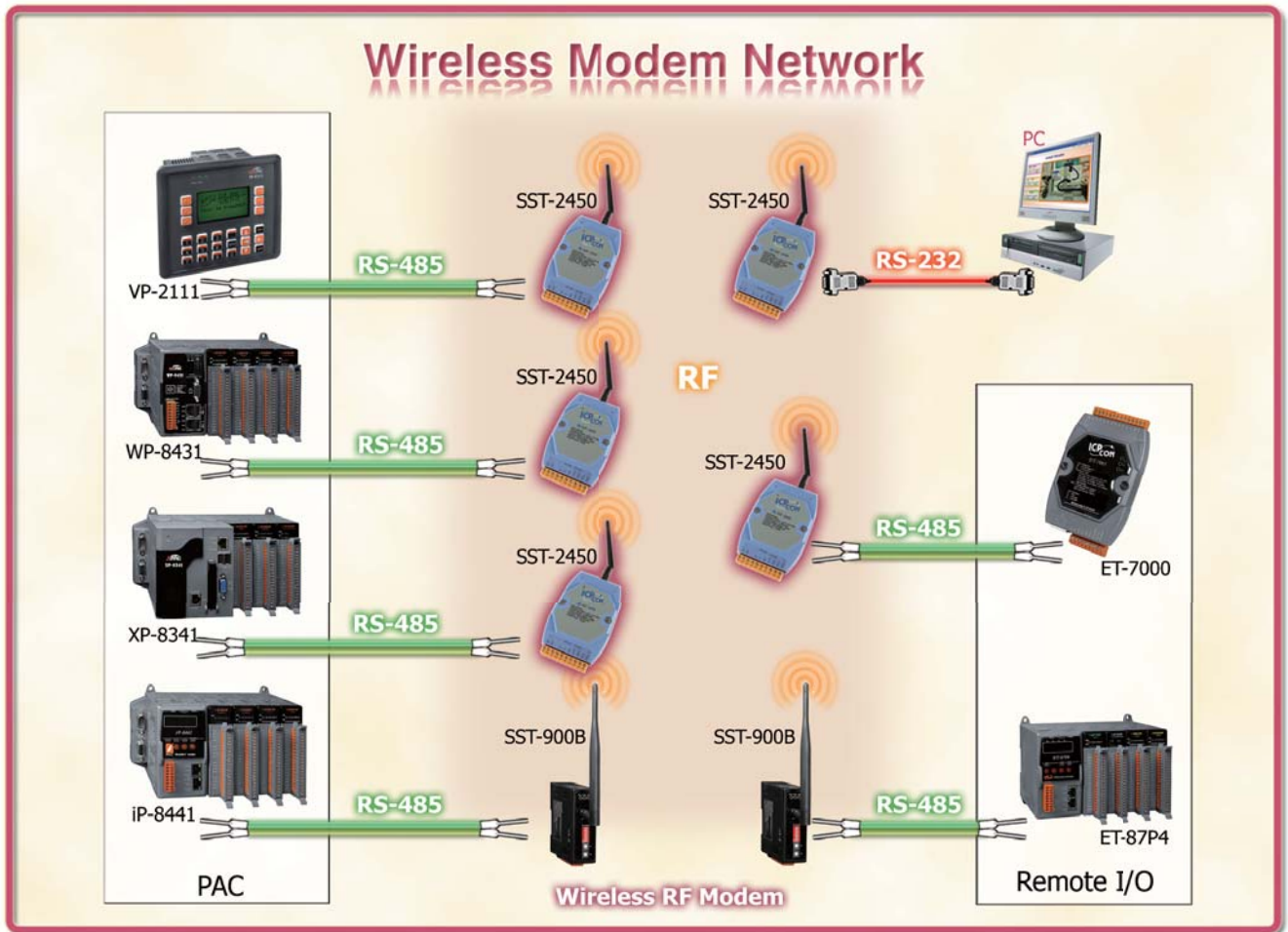
3.1. Overview

3

DSSS RF Products

1

Overview



DSSS RF (direct-sequence spread spectrum) is a modulation technique, which is the process of varying one or more properties of a high frequency periodic wave called the carrier signal, with respect to a modulating signal. The benefits of using DSSS include, but not limited to, 1) reduced signal/background-noise level hampers interception and 2) resistance to intended or unintended jamming.

ICP DAS provides SST series which is designed for data acquisition control applications between a host and remote sensors. It is also useful for those applications where the installation of cable wire is inconvenient.

Advantages & Benefits

- Full-duplex and Half-duplex up to 57600bps
- Auto band-rate settings
- Direct sequence spread spectrum using RF technology
- Reduce wiring cost and inconvenience

• Wireless Modem Selection Guide



ICP DAS provides SST series which is designed for data acquisition and control applications between a host and remote sensors. It is also useful for those applications where the installation of cable wire is inconvenient.

The SST Series is a spread spectrum radio modem with an RS-232/RS-485 interface port. The module can be used not only in peer-to-peer mode, but also in a multi-point structure.

Model Name	Frequency	Interface	Transmission Range	Page
SST-900B	900 MHz (902-928 MHz)	RS-232/RS-485	Typical 700 m, Max. 1 Km	3-2-1
SST-2450	2.4 GHz (2410.496 MHz ~ 2471.936 MHz)	RS-232/RS-485	300 m (Typical)	3-3-1

2.4 GHz Omni-directional Antennas

Model Name	Ordering Information	Connector	Radiation	Band	Gain (dBi)	Note	Page
ANT-8	1 km, 2.4 GHz External Antenna	RP SMA Male (Plug)	Omni-Directional	2.4 ~ 2.5 GHz	8	Dipole	8-2-1
ANT-15	5 km, 2.4 GHz External Antenna	RP SMA Male (Plug)	Omni-Directional	2.4 ~ 2.5 GHz	15	Dipole	8-2-2

2.4 GHz Directional Antennas

Model Name	Ordering Information	Connector	Radiation	Band	Gain (dBi)	Note	Page
ANT-15YG	5 km, 2.4 GHz External Antenna	RP SMA Male (Plug)	Directional	2.4 ~ 2.5 GHz	15	Yagi	8-3-1
ANT-18	9 km, 2.4 GHz External Antenna	RP SMA Male (Plug)	Directional	2.4 ~ 2.5 GHz	18	Panel	8-3-2

3.2. 900 MHz Radio Modem



Features

- Half-duplex up to 115200 bps
- Internal Self-Tuner
- ISM Band 900 MHz
- Typical wireless transmission range is 700 meters (LOS)
- UI Configuration via external switch



Introduction

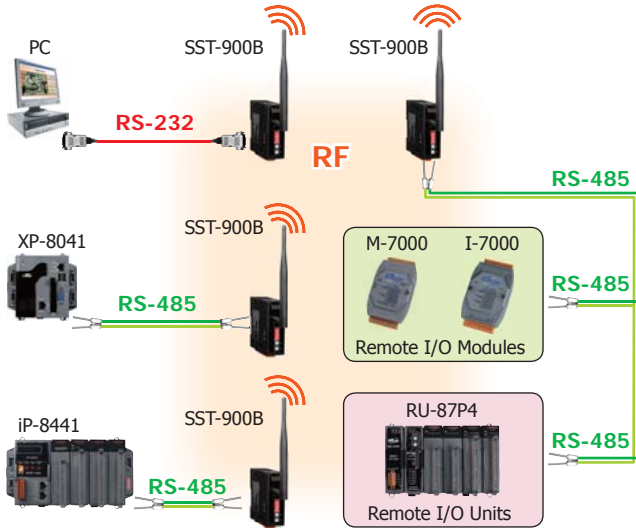
The SST-900B is a radio frequency modem with an RS-232/RS-485 interface port and is designed for data acquisition and control applications between a host and remote sensors. It is also useful for those applications where the installation of cable wire is inconvenient.

The SST-900B module is a wireless module that works in a frequency range of 902-928 MHz, and includes adjustable 16 RF channels and each channel can be allocated one of sixteen group IDs. The SST-900B can be used not only in peer-to-peer mode but also in a multi-point structure.

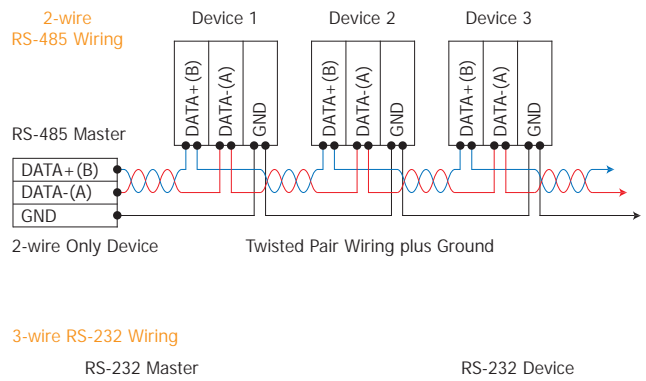
Specifications

Models		SST-900B
Wireless		
Operating Frequency Range	915 MHz (902 MHz ~ 928 MHz)	
Channel Spacing	1.5 MHz	
Transmit Power	Up to 20 dBm	
Number of Channel	16	
Transmission Range	700 m	
Receive Sensitivity	-100 dBm @ 150k bps	
Antenna		
Type	3 dBi Omni-directional, bendable	
Connector	Reverse Polarity SMA (RP-SMA) Plug (Male)	
Com 0 Settings		
Interface	RS-232	TxD, RxD, GND
	RS-485	DATA+, DATA-; internal self-tuner ASIC; Non-isolated
Baud Rate	1200 ~ 115200 bps	
Data Bit	8	
Parity Check	None, Even , Odd	
Stop Bit	1	
Power		
Operating Voltage	+10 Vdc ~ +30 Vdc	
Mechanical		
Dimensions (W x L x H)	84 mm x 108 mm x 33 mm	
Environment		
Operating Temperature	-25 °C ~ +70 °C	
Storage Temperature	-40 °C ~ +80 °C	
Humidity	0% ~ 90% RH, Non-condensing	

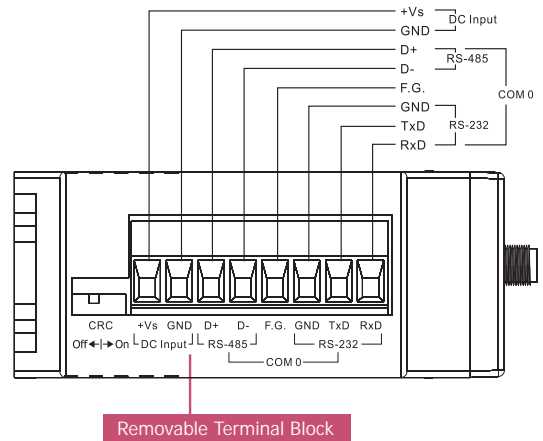
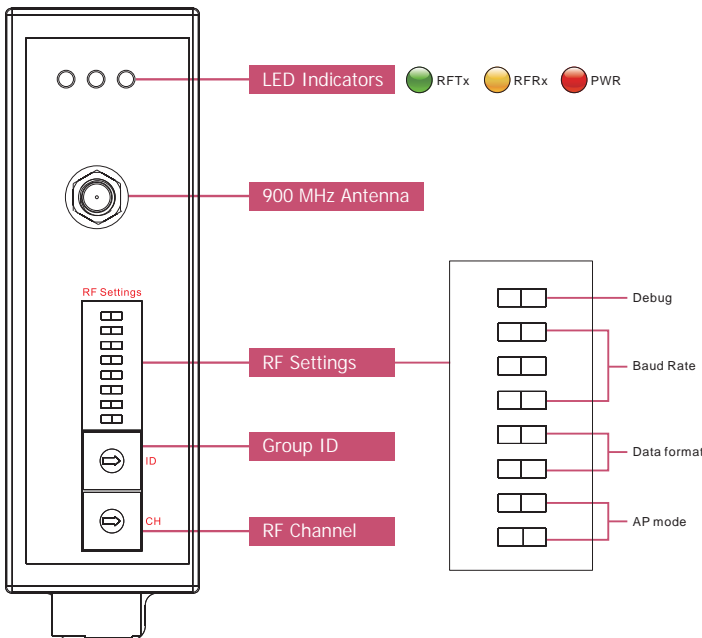
Applications



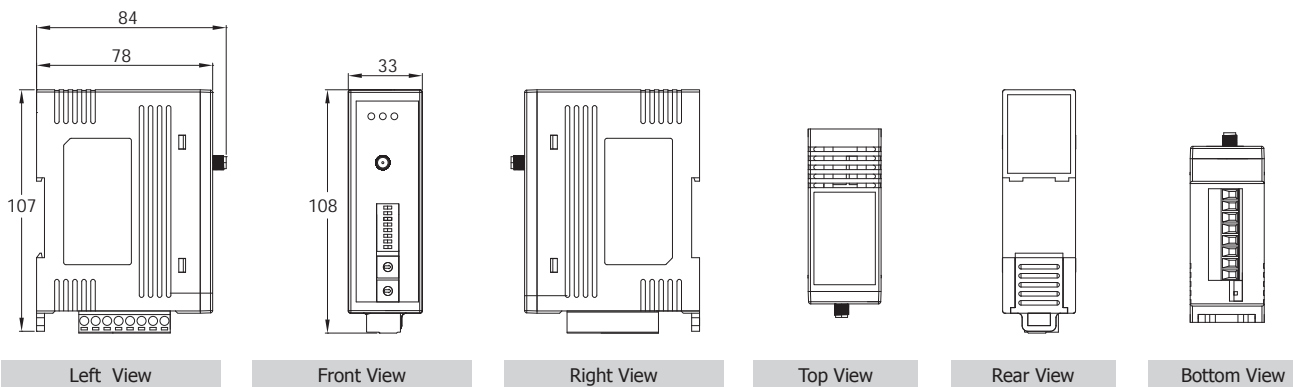
Wiring



Pin Assignments



Dimensions (Units: mm)



Ordering Information

SST-900B	900 MHz Wireless Modem
----------	------------------------

3.3. 2.4 GHz Radio Modem



Features

- Half-duplex up to 57600 bps
- Internal Self-Tuner
- ISM Band 2.4 GHz
- Support Full-duplex and Half-duplex communication
- Spread Spectrum Technology



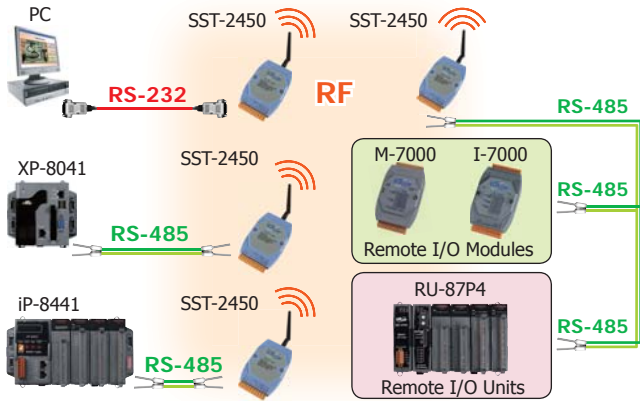
Introduction

The SST-2450 is a spread spectrum radio modem with an RS-232/RS-485 interface port and is designed for data acquisition and control applications between host and remote sensors. It is also useful for those applications, the cable wire is inconvenient to be installed. The SST-2450 can be used in not only peer to peer mode but also multi-point structure.

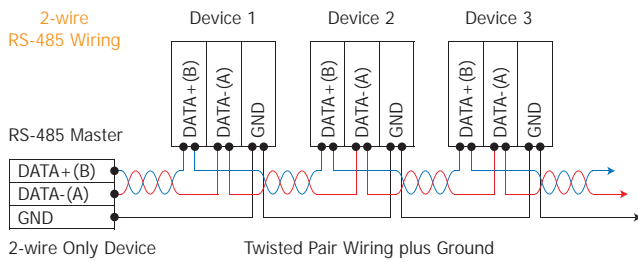
Specifications

Models	SST-2450	
Wireless		
Operating Frequency Range	2.4 GHz (2410.496 MHz ~ 2471.936 MHz)	
Channel Spacing	4.096 MHz	
Output Power	0.05 W	
Transmit Power	17 dBm +/-2 dBm	
Modulation	MSKG	
Radio Technique	Direct Sequence Spread Spectrum	
Duplex Mode	TDD (for Full-duplex)	
Number of Channel	16	
Number of PN Code	16	
PN Code Rate	1.365 Mchips/Sec.	
Transmission Range	Typical 300 m	
Data Bit Error Rate	< 1/1000 @ -102 dBm	
Antenna		
Type	3 dBi Omni-directional, bendable	
Connector	Reverse-Polarity SMA-Jack	
Serial Link		
Interface	RS-232	TxD, RxD, GND
	RS-485	D+, D-; internal self-tuner ASIC; Non-isolated
Max. Data Transfer Rate in Asynchronous Mode	Full-duplex Mode	9600 bps
	Half-duplex Mode	28800 bps
Max. Data Transfer Rate in Synchronous Mode	Full-duplex Mode	19200 bps
	Half-duplex Mode	57600 bps
Data Format 28800 bps	N, 8, 1 or E, 8, 1	
Power		
Operating Voltage	+10 V _{DC} ~ +30 V _{DC}	
Current Consumption	Typical	Less than 250 mA
	Transmission	2 W
	Receive	1 W
Mechanical		
Dimensions (W x H x D)	72 mm x 117 mm x 35 mm	
Environment		
Operating Temperature	-10 °C ~ +50 °C	
Storage Temperature	-20 °C ~ +70 °C	
Humidity	0% ~ 90% RH, Non-condensing	

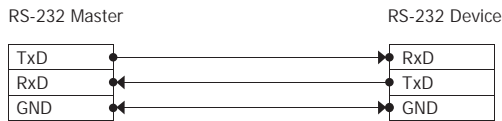
Applications



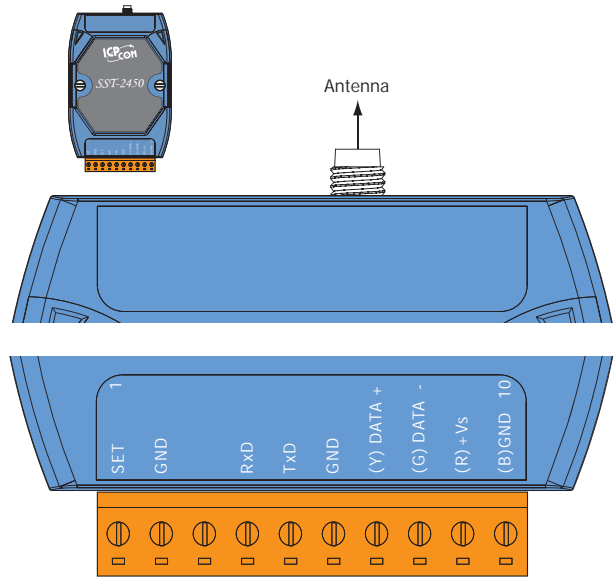
Wiring



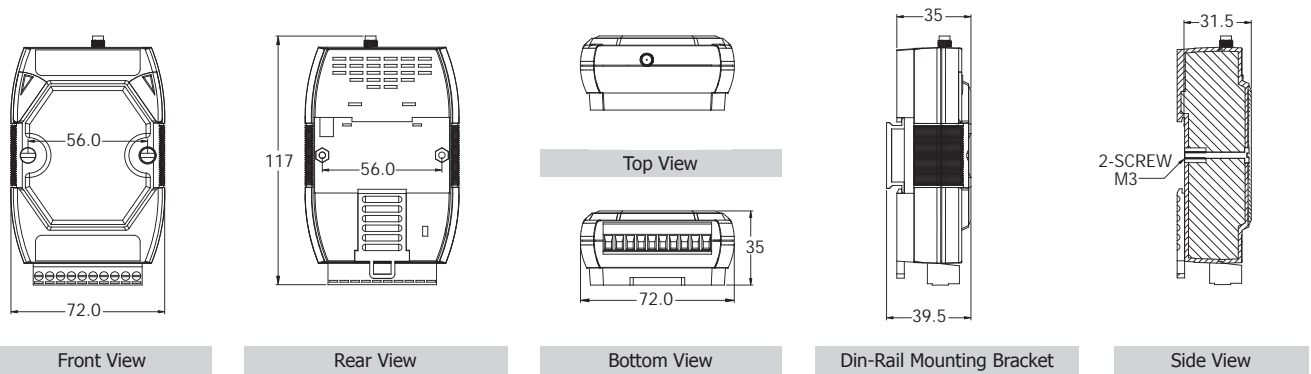
3-wire RS-232 Wiring



Pin Assignments



Dimensions (Units: mm)



Ordering Information

SST-2450	2450 MHz Wireless Modem
----------	-------------------------

Accessories

ANT-8	1 km, 2.4 GHz External Antenna (Omni-directional). Gain: 8 dBi
ANT-15	5 km, 2.4 GHz External Antenna (Omni-directional). Gain: 15 dBi
ANT-18	9 km, 2.4 GHz External Antenna (Directional). Gain: 18 dBi
ANT-15YG	5 km, 2.4 GHz External Antenna (Directional). Gain: 15 dBi

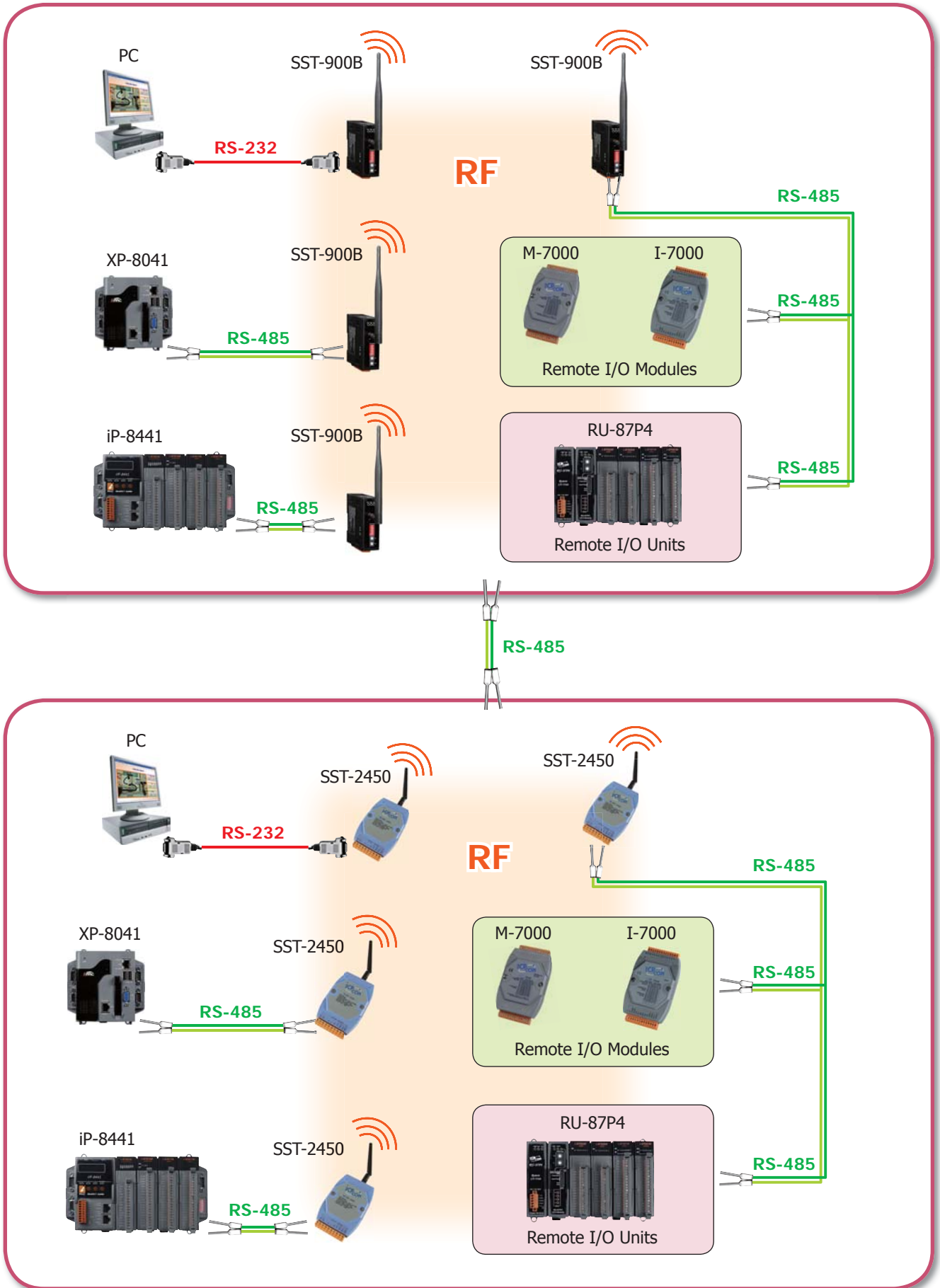
3.4. Applications

3

DSSS RF Products

4

Applications



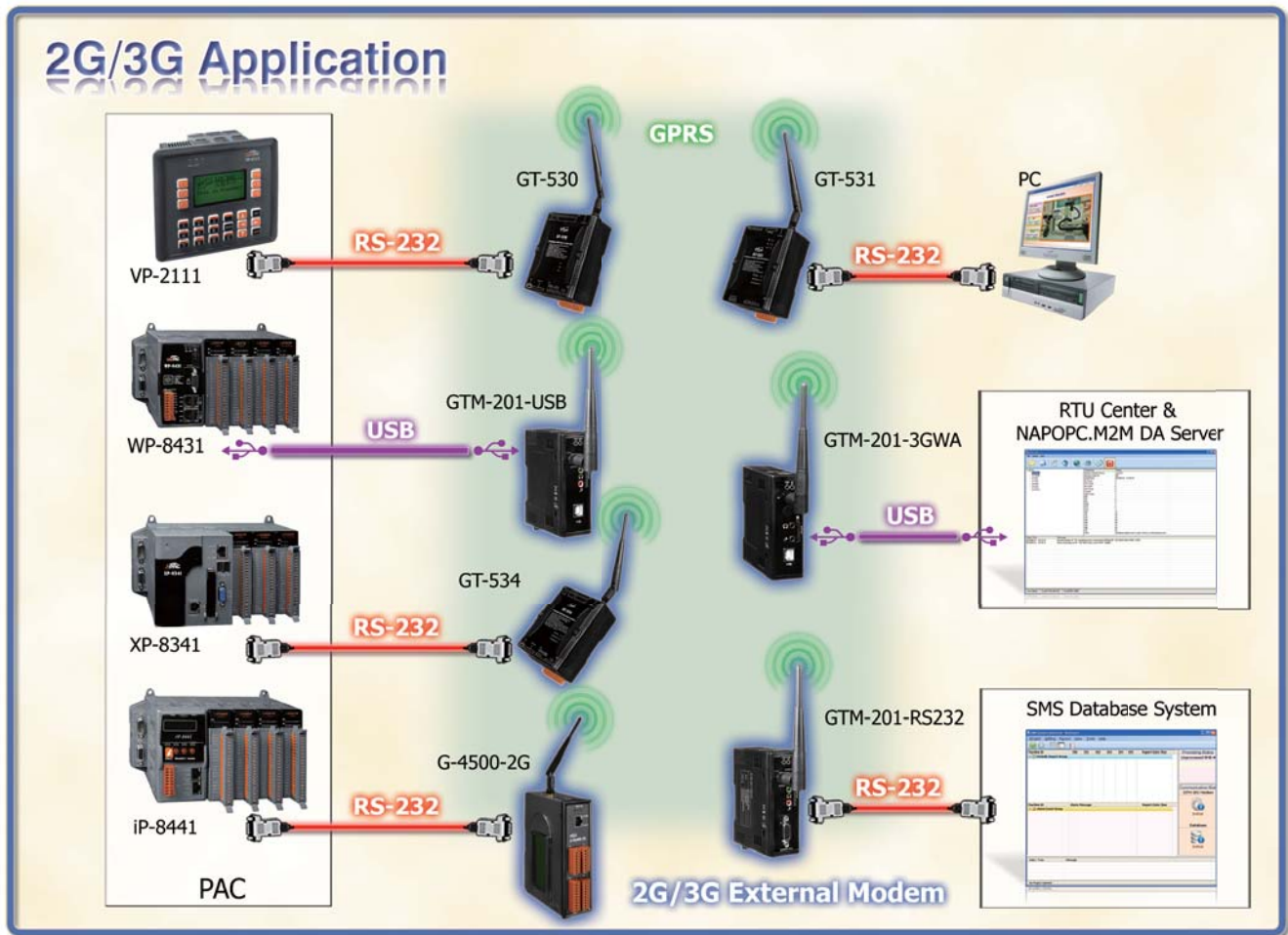
2G/3G Products

4

4.1. Overview	P4-1-1
4.2. 2G/3G Modems	P4-2-1
4.3. Intelligent 2G/3G Module	P4-3-1
4.4. Mini-PAC with 2G/3G modem	P4-4-1
4.5. Software Solutions	P4-5-1



4.1. Overview



ICP DAS 2G/3G wireless solutions are uniquely designed to meet the challenges of implementing and managing a small, medium and large number of unmanned remote devices as well as mobile terminals using the 2G/3G network. The ICP DAS 2G/3G wireless system is comprised of intelligent 2G/3G modems with versatile interfaces, a 2G/3G Data Server (DS), and 2G/3G PACs with embedded dynamic IP resolution technology to help system integrators and application service providers can quickly integrate 2G/3G technology into their own solutions, and save development time with reduced costs and assured performance.

The 2G/3G products support Quad-band GSM (850, 900, 1800, 1900MHz) and Tri-band 3G WCDMA (850, 1900, 2100 MHz), two of the major frequency bands. By supporting these two bands, 2G/3G products are compatible with most mobile networks worldwide.

Advantages & Benefits

- There is no need to build an expensive fixed line network.
- Enable any devices to be connected to the Internet via serial port over a 2G/3G network.
- The most efficient method of handling data over a 2G/3G wireless network and the Internet.
- A full turnkey solution that is designed for both fixed and mobile machine to machine applications.
- Reliable GSM/GPRS/EDGE/UMTS/HSPA network connectivity, providing fast and cost-effective long-range wireless applications

2G/3G Modem Selection Guide



ICP DAS provides various industrial Quad-band 2G or Tri-band 3G modem. The modems utilize the 2G/3G network for convenient and inexpensive data transfer from remote instruments, meters, computers or control systems in either live data or packet data. The modems have the integrated TCP/IP stack so that even simple controllers with serial communications ports can be connected to the modem without the need for special driver implementation.



Stand Alone Modem

Model Name	Frequency (MHz)	Reset Input	MIC Input /Audio Output	GPS	TCP/IP Stack	Baud Rate (bps)	Interface	Driver	Page
GTM-201-RS232	2G (GSM/GPRS): 850/900/1800/1900	Yes	Yes	-	Yes	9.6K~115.2K	RS-232	Windows XP / 7 Windows CE Linux	4-2-1
GTM-201-USB	2G (GSM/GPRS): 850/900/1800/1900	Yes	Yes	-	Yes	9.6K~115.2K	USB2.0	Windows XP / 7 Windows CE Linux	4-2-1
GTM-201-3GWA	2G (GSM/GPRS): 850/900/1800/1900	Yes	Yes	-	Yes	9.6K~115.2K	USB2.0 RS-232	Windows XP / 7 Windows CE Linux	4-2-4
	3G (UMTS/HSDPA/HSUPA): 2100/1900/850								
GTM-201P-3GWA	2G (GSM/GPRS): 850/900/1800/1900	Yes	Yes	Yes	Yes	9.6K~115.2K	USB2.0 RS-232 GPS	Windows XP / 7 Windows CE Linux	4-2-4
	3G (UMTS/HSDPA/HSUPA): 2100/1900/850								



GSM/GPRS Module

Model Name	Frequency (MHz)	GPS Interface	Max. Dowload Speed	AT Command	TCP/IP Protocol	Page
I-8212W	2G (GSM/GPRS): 850/900/1800/1900	-	85.6 Kbps	Yes	Yes	4-2-7
I-8213W	2G (GSM/GPRS): 850/900/1800/1900	Yes	85.6 Kbps	Yes	Yes	4-2-7

• Intelligent 2G/3G Modules Selection Guide



ICP DAS provides various intelligent 2G/3G modules and gateway, GT-5xx Series. The Module is GSM remote control and alarm system allows users to use their mobile phone to monitor and control the business from any location. Its alarm facilities provide a flexible way to distribute critical alarm information to any number of mobile phone users. The Gateway allows user to access mobile phone by using standard protocol, such as Modbus.

Model Name	CPU	Interface	Frequency (MHz)	I/O	Alarm	Micro SD	Battery Backup	Transparent Communication	Page
GT-530	32 bit	2 × RS-232	2G: 850/900/1800/1900	2 × DO 10 × DI	Yes (SMS)	Yes	Yes	SMS	4-3-1
GT-531	32 bit	2 × RS-232 1 × RS-485	2G: 850/900/1800/1900	-	Yes (SMS, Voice)	Yes	-	Modbus RTU	4-3-3
GT-534	32 bit	1 × RS-232 1 × RS-232/485	2G: 850/900/1800/1900	2 × DO 6 × DI 1 × AI	Yes (SMS, Voice)	Yes	Yes	SMS	4-3-5
GT-540	32 bit	1 × RS-232 1 × RS-485	2G: 850/900/1800/1900	2 × DO 6 × DI 1 × AI	Yes (GPRS)	Yes	-	GPRS	4-3-7
GT-540P	32 bit	1 × RS-232 1 × RS-485 GPS	2G: 850/900/1800/1900	2 × DO 6 × DI 1 × AI	Yes (GPRS)	Yes	-	GPRS	4-3-7
GT-541	32 bit	1 × RS-232 1 × RS-485	2G: 850/900/1800/1900	-	-	-	-	GPRS	4-3-10
WISE-4000	16 bit	1 × Ethernet	2G: 850/900/1800/1900	3 × DO 3 × DI 8 × AI	-	-	-	SMS	4-3-12
WISE-4000D	16 bit	1 × Ethernet	2G: 850/900/1800/1900	3 × DO 3 × DI 8 × AI	-	-	-	SMS	4-3-12

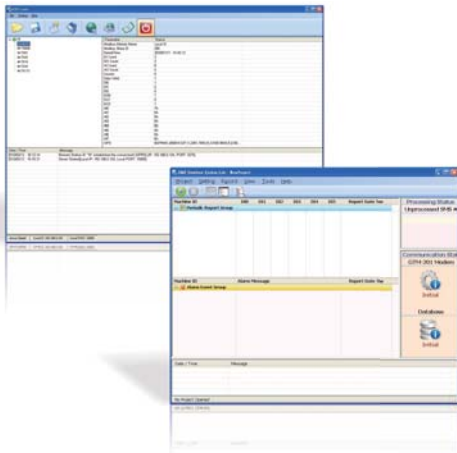
• Mini PAC with 2G/3G Selection Guide



The G-4500 series provided by ICP DAS are M2M (machine to machine) mini programmable controller with a cellular transceiver can monitor industrial equipment that sends live data to the monitoring system, providing real-time status. With optional GPS model, the G-4500 can also be a GPS tracking system. It can be used in vehicle management system or maritime system.

Model Name	OS	CPU	Flash/RAM (KB)	Interface	I/O	Frequency (MHz)	Speed (Down/UP)	LCM (Dot)	GPS/ ZigBee	Page
G-4500-2G	MiniOS7	80 MHz	512/512	1 × Ethernet 2 × RS-232 1 × RS-485	3 × DO 3 × DI 8 × AI	2G (GSM/GPRS): 850/900/1800/1900	85.6/42.8 kbps	-	-	4-4-1
G-4500D-2G	MiniOS7	80 MHz	512/512	1 × Ethernet 2 × RS-232 1 × RS-485	3 × DO 3 × DI 8 × AI	2G (GSM/GPRS): 850/900/1800/1900	85.6/42.8 kbps	128 × 64	-	4-4-1
G-4500P-2G	MiniOS7	80 MHz	512/512	1 × Ethernet 2 × RS-232 1 × RS-485	3 × DO 3 × DI 8 × AI	2G (GSM/GPRS): 850/900/1800/1900	85.6/42.8 kbps	-	GPS	4-4-1
G-4500PD-2G	MiniOS7	80 MHz	512/512	1 × Ethernet 2 × RS-232 1 × RS-485	3 × DO 3 × DI 8 × AI	2G (GSM/GPRS): 850/900/1800/1900	85.6/42.8 kbps	128 × 64	GPS	4-4-1
G-4500-3GWA	MiniOS7	80 MHz	512/512	1 × Ethernet 2 × RS-232 1 × RS-485	3 × DO 3 × DI 8 × AI	2G (GSM/GPRS): 850/900/1800/1900	7.2/5.76 Mbps	-	-	4-4-4
						3G (UMTS/HSDPA/HSUPA): 2100/1900/850				
G-4500D-3GWA	MiniOS7	80 MHz	512/512	1 × Ethernet 2 × RS-232 1 × RS-485	3 × DO 3 × DI 8 × AI	2G (GSM/GPRS): 850/900/1800/1900	7.2/5.76 Mbps	128 × 64	-	4-4-4
						3G (UMTS/HSDPA/HSUPA): 2100/1900/850				
G-4500P-3GWA	MiniOS7	80 MHz	512/512	1 × Ethernet 2 × RS-232 1 × RS-485	3 × DO 3 × DI 8 × AI	2G (GSM/GPRS): 850/900/1800/1900	7.2/5.76 Mbps	-	GPS	4-4-4
						3G (UMTS/HSDPA/HSUPA): 2100/1900/850				
G-4500PD-3GWA	MiniOS7	80 MHz	512/512	1 × Ethernet 2 × RS-232 1 × RS-485	3 × DO 3 × DI 8 × AI	2G (GSM/GPRS): 850/900/1800/1900	7.2/5.76 Mbps	128 × 64	GPS	4-4-4
						3G (UMTS/HSDPA/HSUPA): 2100/1900/850				

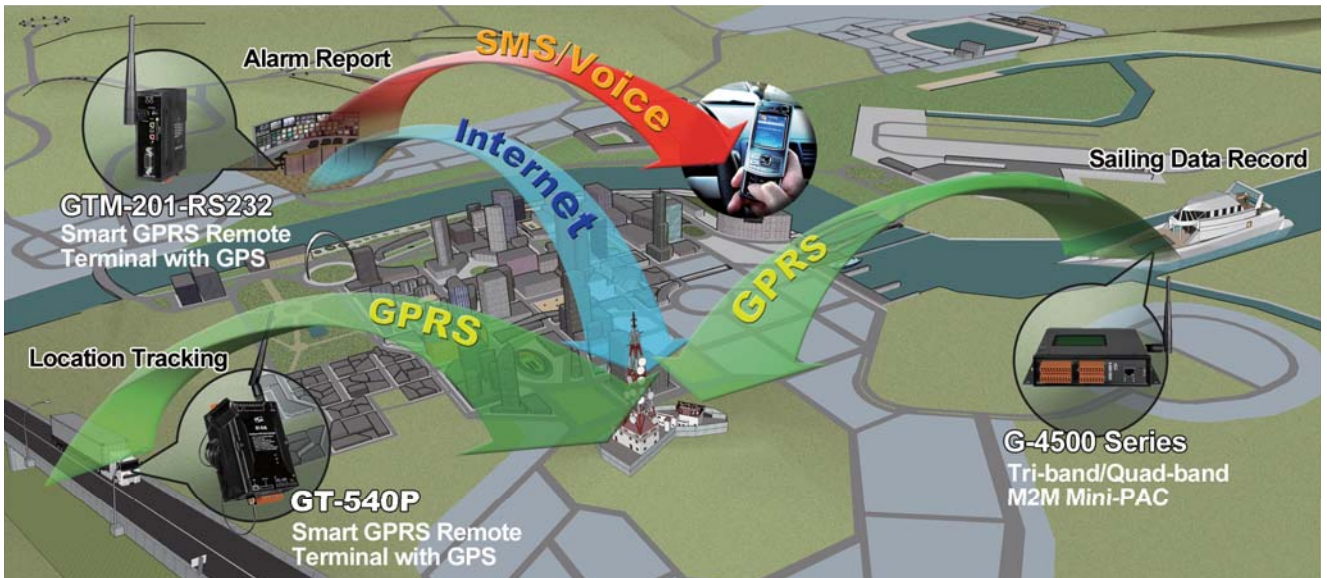
• Software Solutions



ICP DAS provides various software solutions which allow users to manage 2G/3G products more efficiently with easy-to-use interface. The SMS Database System is a GT-53x series management tool which allows the 3rd party software being easily integrated with the modules. The M2M RTU Center is a M2M (Machine to Machine) management software that has a strong core technology for handling data and lets the user save the trouble of dealing with large IO data. The M2M RTU Center can also work with NAPOPC.M2M DA Server, so user can easily access or monitor IO data by using OPC 2.0 Data Access Standards. ICP DAS also provides M2M RTU API Tool for those users who want to develop their own application.

Software Name	Description	Charge	Page
SMS DBS	SMS Monitor/Database System software solution for GT-53x series	Free with 3 phone numbers	4-5-1
M2M RTU Center	M2M RTU series management software	Free	4-5-2
M2M RTU API Tool	M2M RTU Win32 API library	Free	4-5-3
NAPOPC.M2M DA Server	OPC server for RTU devices	Free	4-5-4

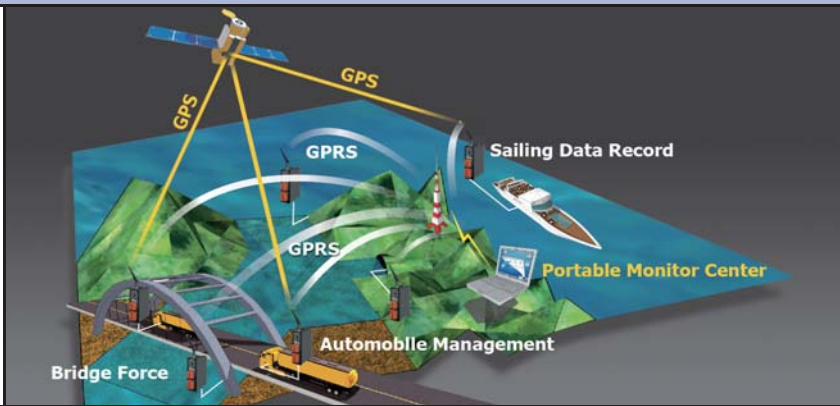
• 2G/3G Wireless Applications



The absorption of ICP DAS Co., Ltd. is to develop cost effective solutions to the industries. In recent years, the significance of communication is expanding exponentially. It is not only people who communicate via internet or telecommunication technologies, but also machines. The technology which allows you to connect your physical resources online is also called M2M Technology. From home application to large scale industrial machines, there are trillion of machines waited to be connected online. The advancement in 2G and 3G technologies has enabled wireless integration with wired-machines more affordable & effective than ever. The live applications are showed below.

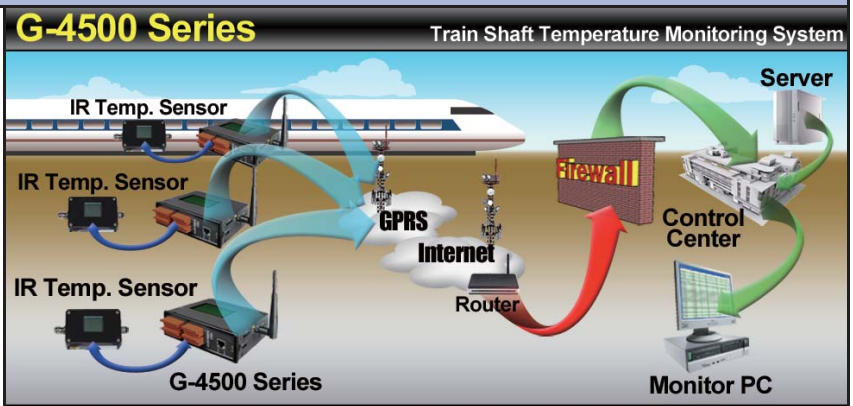
G-4500 Series General Application

By using G-4500 series, user can easily acquire data from any site without wiring limitation. G-4500 can also combine with a GPS module which allows user to monitor the location of moving transportations. To place the G-4500 on a vehicle or ship, users not only monitor its position but also record the fuel consumption.



Temperature Monitoring system

Placed infrared temperature sensors around shafts, and these sensors are connected to G-4500 series (M2M Mini-Programmable Automation Control). G-4500 controller will transmit data via GPRS service to Internet back to control center in real-time.



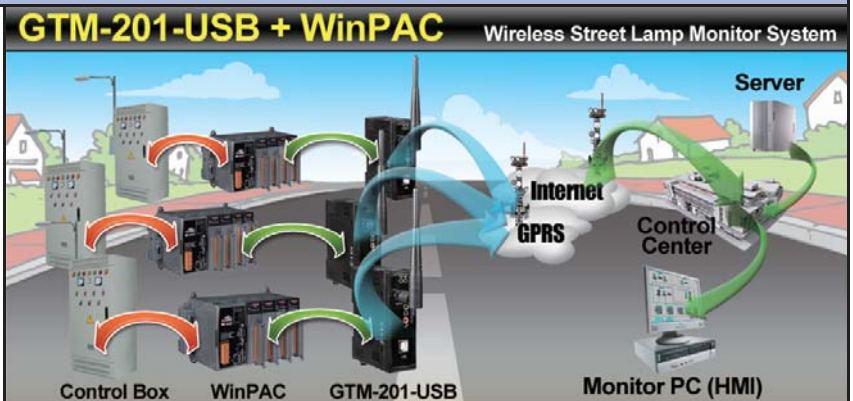
Vending/Gaming Machine Monitoring System

Each machine has a GT-530 or GT-534 (Intelligent SMS/GSM Alarm Controller) inside itself. Once the specific circumstances occurred (for example, vending machine ran out of drink), GT-530/GT-534 will automatically send either SMS or voice message to users in program list.



Street Lamp Monitor System

In each control box of street lamp, we placed a WinPAC (Windows CE embedded Programmable Automation Controller) and I/O Modules to acquire data from control box. All data will be transmitted back to control center in real-time by using GTM-201-USB (Industrial Quad-band GPRS/GSM Modem).



4.2. 2G/3G Modem



GTM-201-RS232
GTM-201-USB

Industrial Quad-band 2G GSM/GPRS Modem

Features

- Quad-band 2G Modem Operating of 850/900/1800/1900 MHz
- Designed for GPRS, Data, Fax, SMS and Voice Applications
- Support TCP Server, TCP Client, UDP Client connection from 2G network
- Support Standard AT Commands
- Include a Digital Input Channel to reset the system
- Provide the MIC Input and Audio (32 Ω) Output Interface
- LED Indicators for GSM and Power Indication
- High reliability in harsh environments
- The RS-232 Port support 9600 to 115200 bps (GTM-201-RS232)
- USB Driver for Windows, WinPAC (WinCE5.0), LinPAC (Linux 2.6) (GTM-201-USB)
- DIN-Rail mountable



Introduction

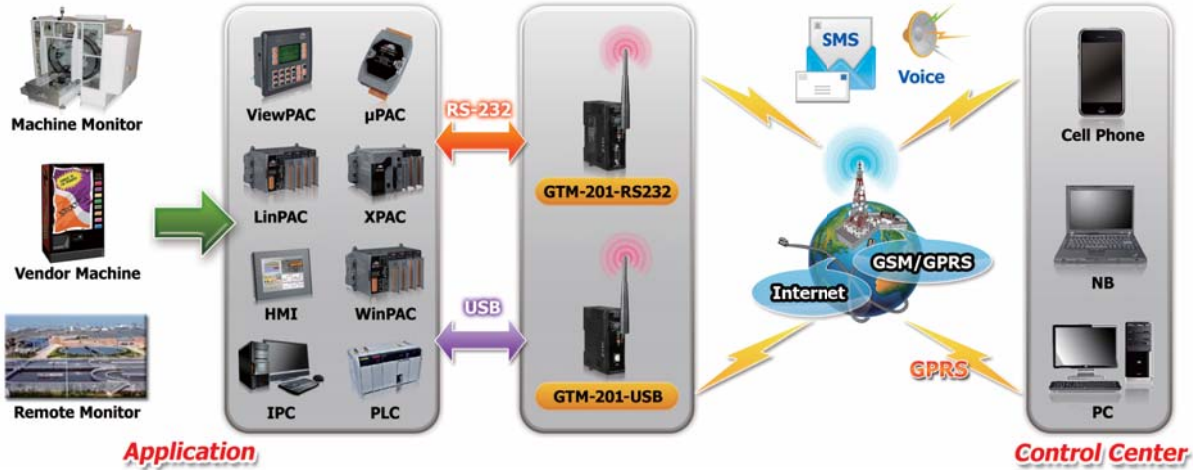
The GTM-201 is a series of industrial Quad-band GSM/GPRS modems with RS-232 and USB interfaces that work at frequencies of GSM 850 MHz, EGSM 900 MHz DCS 1800 MHz and PCS 1900 MHz. The modems utilize the GSM/GPRS network for convenient and inexpensive data transfer from remote instruments, meters, computers or control systems in either live data or packet data acquisition. The GTM-201 series has an integrated TCP/IP stack so that even simple controllers with serial communications ports can be connected to the modem without the need for special installation of drivers. The features of the GTM-201 series allow a variety of PLC and PC applications to take advantage of SMS and GPRS connectivity. The voice interface allows these modems to be also applied to alarm systems with sounds.

Specifications

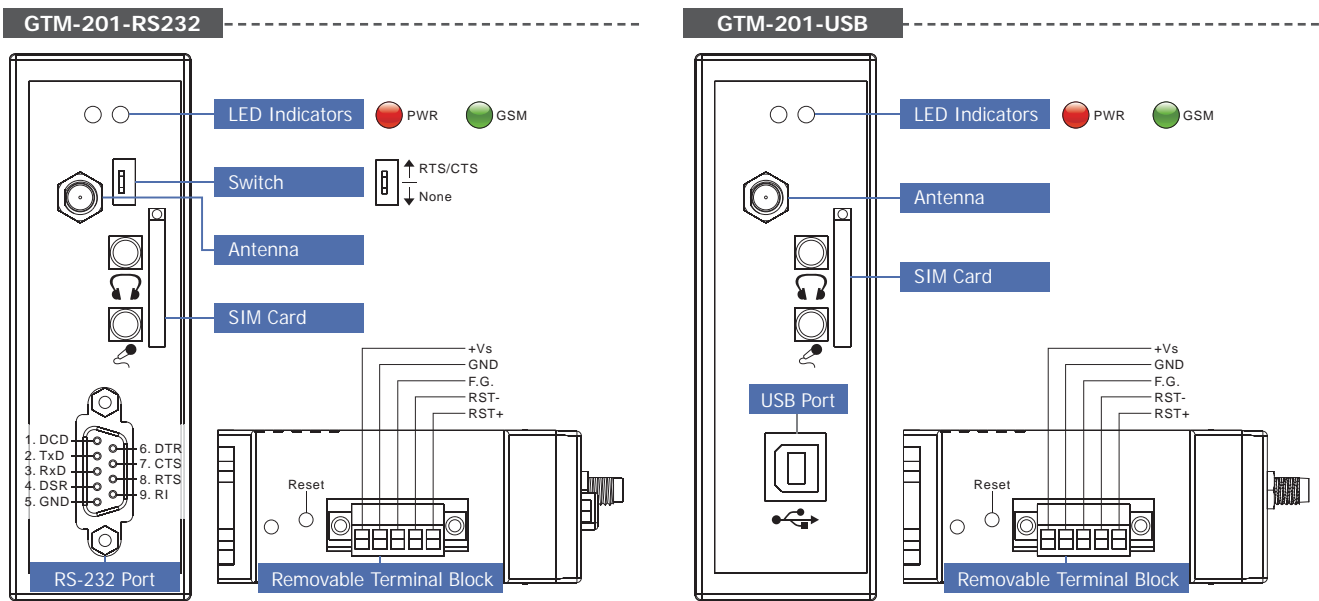
Models	GTM-201-RS232	GTM-201-USB
2G System		
Frequency Band	Quad-band 850/900/1800/1900 MHz	
GPRS Multi-slot	Class 10/8	
GPRS Mobile Station	Class B	
GPRS Class 10	Max. download speed 85.6 kbps	
Compliant with GSM Phase 2/2+	Class 4 (2 W @ 850/900 MHz); Class 1 (1 W @ 1800/1900 MHz)	
Coding Schemes	CS 1, CS 2, CS 3, CS 4	
SMS	Text and PDU Mode	
Serial Ports		
Serial Standards	RS-232 (DB-9 Female)	USB (B-TYPE) to RS232 (VCP)
RS-232	TxD, RxD, RTS, CTS, DTR, DSR, DCD, RI, GND	TxD, RxD, RTS, CTS, DTR, DSR, DCD, RI, GND
Baud Rate	9600 bps ~ 115200 bps	
Include Cable	RS-232 9-Pin Female to Male cable (CA-0915)	SB Type A to Type B cable (CA-USB18)
Compatibility	-	USB 1.1 and 2.0 standard
USB Driver Support	-	Windows 98/2000/XP/Vista/7 WinPAC (WinCE5.0) LinPAC (Linux kernel 2.6)
Reset Input		
Input Type	Isolated, 3750 V _{rms}	
On Voltage Level	+3.5 V _{DC} ~ +30 V _{DC}	
Off Voltage Level	+1V Max.	
Input Impedance	3 kΩ, 0.25 W	
LED Indicators		
Power	Red	
GSM/GPRS	Green	
Power		
Protection	Power reverse polarity protection	
Frame Ground Protection	ESD, Surge, EFT, Hi-Pot	
Required Supply Voltage	+10 V _{DC} ~ +30 V _{DC}	
Power Consumption	dle: 25 mA @ 24 Vdc; Data Link: 100 ~ 400 mA (peak) @ 24 Vdc	
Connection	5-Pin 2.81 mm removable Terminal Block	
Mechanical		
Casing	Plastic	
Flammability	UL 94V-0 materials	
Dimensions (W x L x H)	33 mm x 87 mm x 107 mm	
Installation	DIN-Rail	

Models	GTM-201-RS232	GTM-201-USB
Environment		
Operating Temperature	-25 °C ~ +75 °C	
Storage Temperature	-40 °C ~ +80 °C	
Humidity	5% ~ 90% RH, Non-condensing	

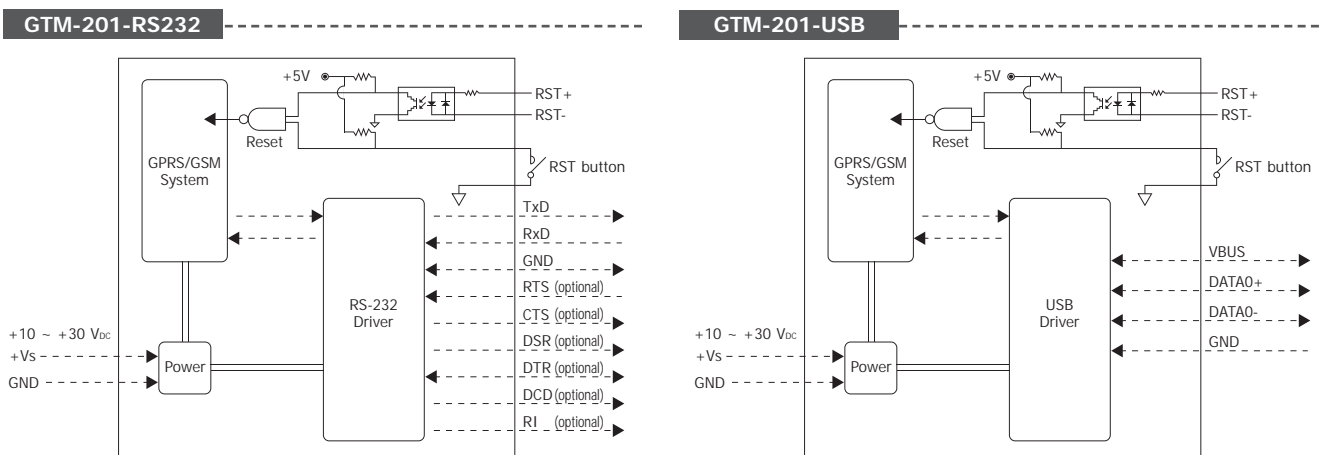
Applications



Appearance

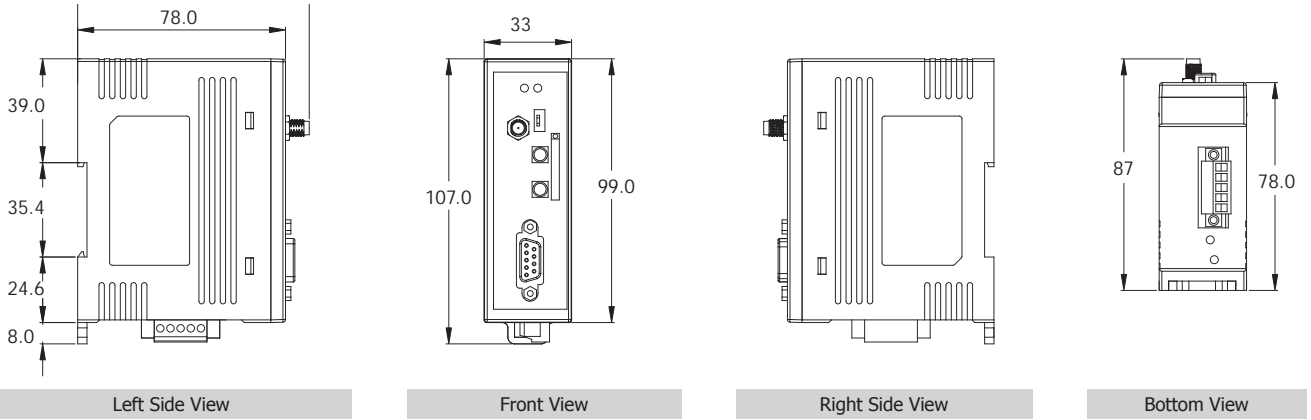


Internal I/O Structure

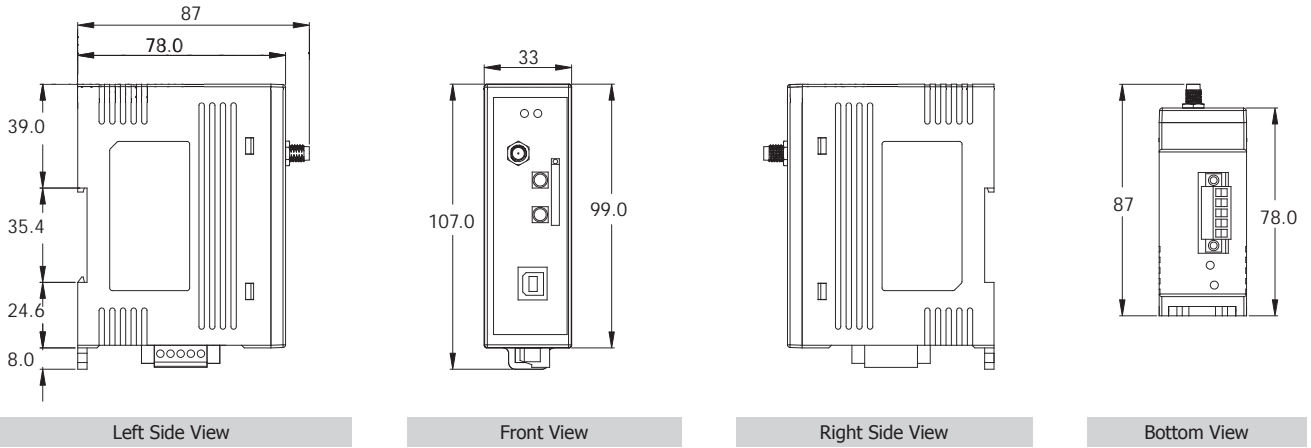


Dimensions (Units: mm)

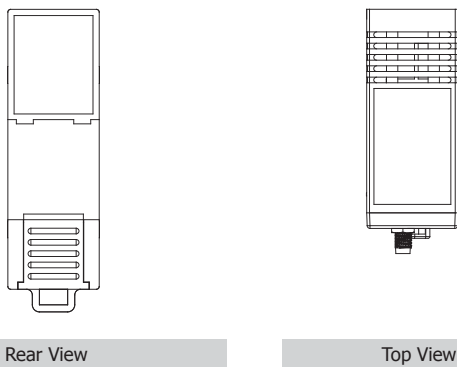
GTM-201-RS232



GTM-201-USB



GTM-201-RS232/GTM-201-USB



Ordering Information

GTM-201-RS232 CR	Industrial Quad-band 2G GSM/GPRS modem with RS232 Interface (RoHS)
GTM-201-USB CR	Industrial Quad-band 2G Modem with USB Interface (RoHS)

Accessories

ANT-421-01	3m External GPRS/GSM Antenna
------------	------------------------------



GTM-201-3GWA GTM-201P-3GWA

Industrial Tri-band 3G WCDMA Modem

Features

- Support 3G Tri-band UMTS/HSDPA/HSUPA 850/1900/2100 MHz
- Support Quad-band GSM/GPRS/EDGE 850/900/1800/1900 MHz
- Designed for Data, SMS and Voice Applications
- Support TCP Server, TCP Client, UDP Client connection from 2G/3G network
- Support Standard AT Commands
- Include a Digital Input Channel uses to reset the system
- Provide the MIC Input and Audio (32 Ω) Output Interface
- LED Indicators for 3G and Power Indication
- High reliability in harsh environments
- The RS-232 Port supports 9600 to 115200 bps
- USB Driver for Windows, WinPAC (WinCE5.0), LinPAC (Linux 2.6)
- DIN-Rail mountable



Introduction

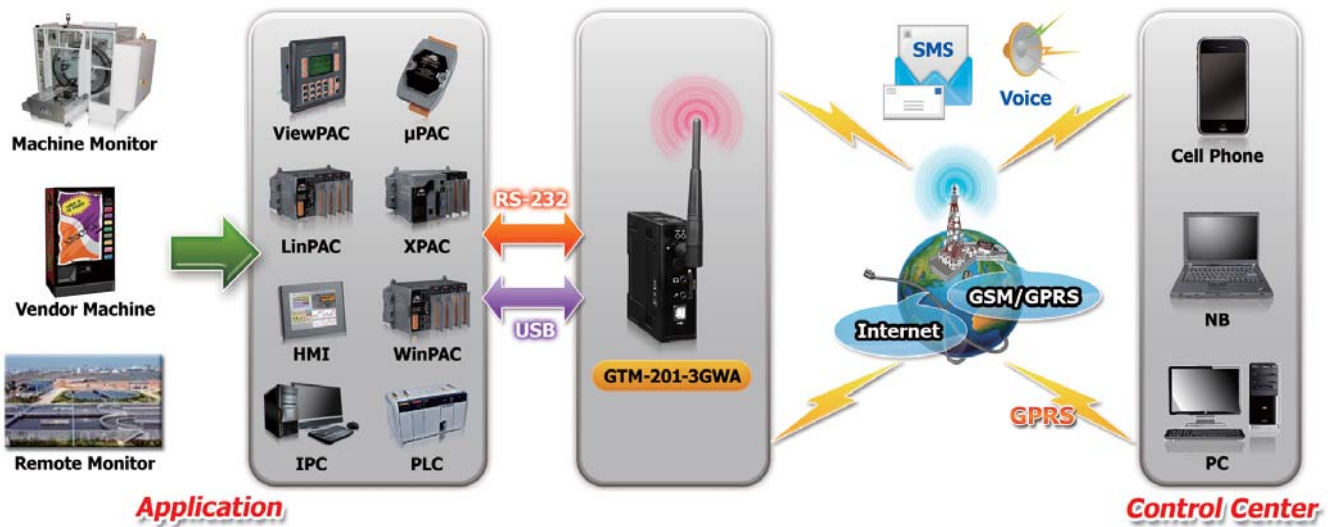
The GTM-201-3GWA/GTM-201P-3GWA is an industrial Tri-band 3G WCDMA cellular modem with RS-232, USB and GPS (only GTM-201P-3GWA) interfaces working on frequencies of Tri-band WCDMA 2100/1900/850 MHz, and Quad-band GSM 850/900/1800/1900 MHz. The modem which supports up to 7.2 Mbps downlink speed and 5.76 Mbps uplink speed services can utilize the 3G/GSM/GPRS network for convenient and inexpensive data transfer from remote instruments, meters, computers or control systems in either live data or packet data. The GTM-201-3GWA/ GTM-201P-3GWA enables internet connection over 3G, when 3G service is available. It automatically selects 3G or GPRS continue to work. Moreover, with the voice interface, these modems can also be applied to the alarm system with sounds.

Specifications

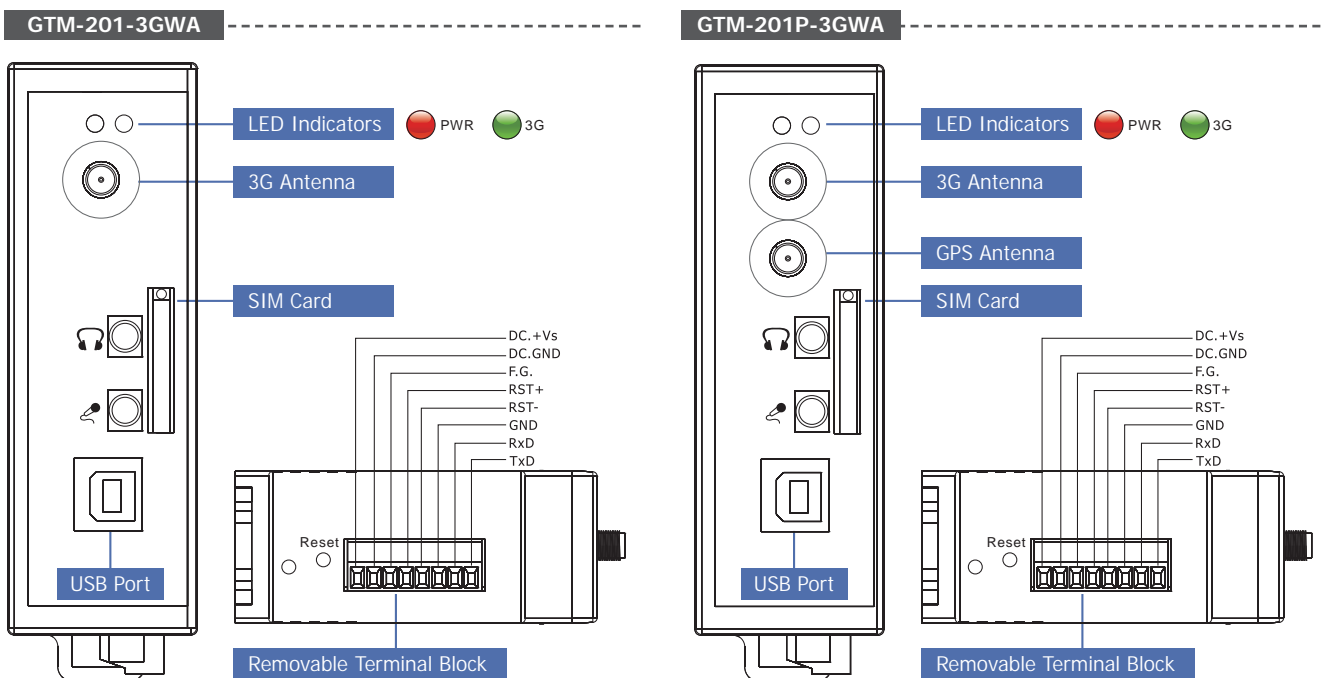
Models	GTM-201-3GWA	GTM-201P-3GWA
3G System		
Frequency Band	UMTS: 2100/1900/850 MHz	
Data Transmission	UMTS/HSDPA/HSUPA Downlink transfer: Max. 7.2 Mbps; Uplink transfer: Max. 5.76 Mbps	
GSM/GPRS System		
Frequency Band	GSM: 850/900/1800/1900 MHz	
GPRS Connectivity	GPRS class 12/10; GPRS station class B	
DATA GPRS	Downlink transfer: Max. 85.6 Kbps; Uplink transfer: Max. 42.8 Kbps	
CSD	Up to 14.4 Kbps	
Coding Schemes	CS 1, CS 2, CS 3, CS 4	
SMS		
SMS	MT, MO, CB, Text and PDU mode	
GPS System		
Support Channels	-	32
Protocol Support	-	NMEA 0183
Comm. Interface		
COM Ports	TxD, RxD, GND	
COM Port Baud Rate	9600 bps ~ 115200 bps	
USB	USB 2.0 (high speed)	
USB Driver Support	Windows 98/2000/XP/Vista/7 LinPAC (Linux kernel 2.6)	
LED Indicators		
Power	Red	
3G/GSM	Green	
Power		
Protection	Power reverse polarity protection	
Frame Ground Protection	ESD, Surge, EFT, Hi-Pot	
Required Supply Voltage	+10 V _{DC} ~ +30 V _{DC}	
Power Consumption	Idle: 25 mA @ 24 V _{DC} ; Data Link: 100 ~ 400 mA (peak) @ 24 V _{DC}	
Connection	8-Pin 3.5 mm Removable Terminal Blockhh	

Models	GTM-201-3GWA	GTM-201P-3GWA
Reset Input		
Input Type	Isolated, 3750 V _{rms}	
On Voltage Level	+3.5 V _{DC} ~ +30 V _{DC}	
Off Voltage Level	+1 V _{DC} Max.	
Input Impedance	3 kΩ, 0.25 W	
Mechanical		
Casing	Plastic	
Flammability	UL 94V-0 materials	
Dimensions (W x L x H)	33 mm x 87 mm x 107 mm	
Installation	DIN-Rail	
Environment		
Operating Temperature	-25 °C ~ +75 °C	
Storage Temperature	-40 °C ~ +80 °C	
Humidity	5% ~ 95% RH, Non-condensing	

Applications

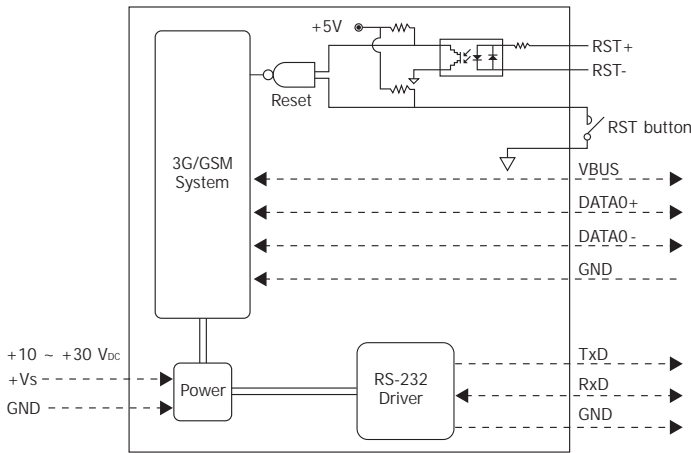


Appearance



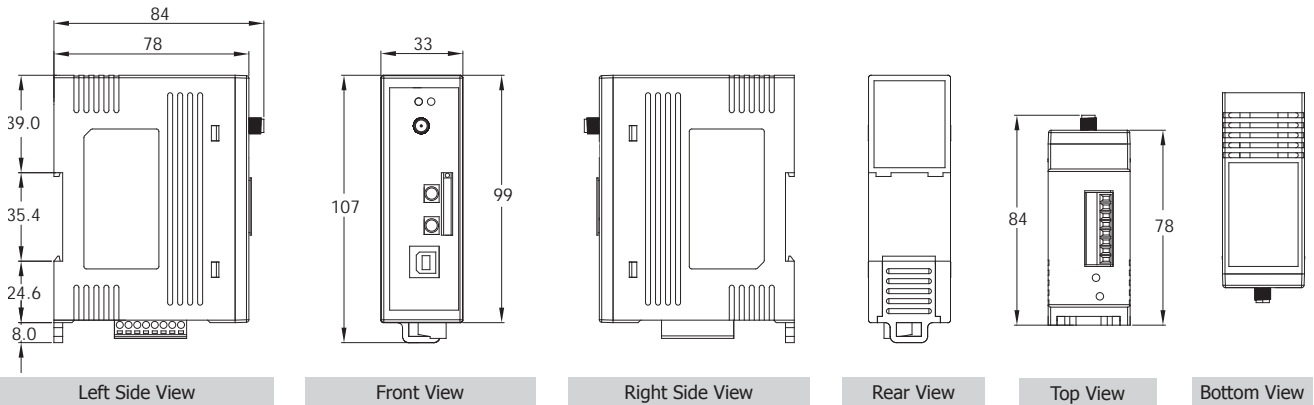
Internal I/O Structure

GTM-201-3GWA/GTM-201P-3GWA

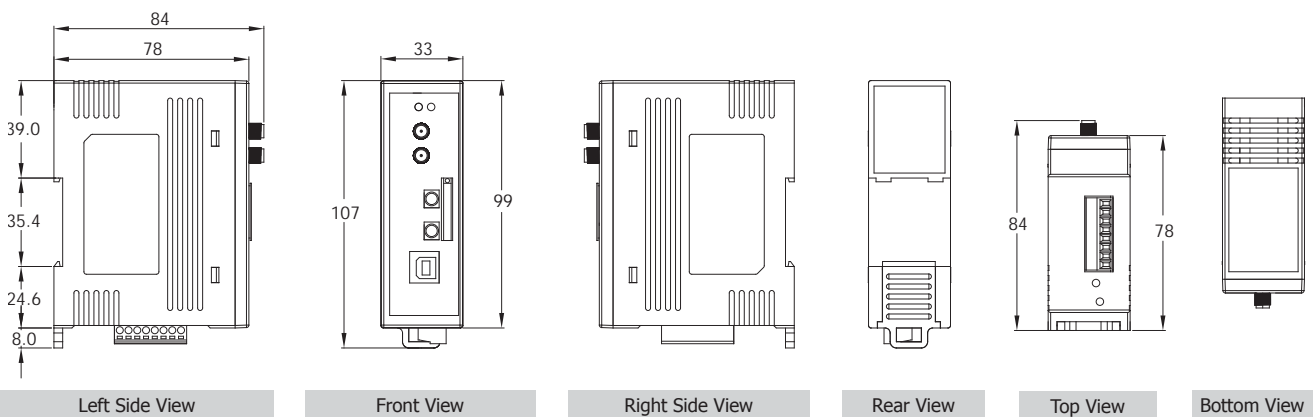


Dimensions (Units: mm)

GTM-201-3GWA



GTM-201P-3GWA



Ordering Information

GTM-201-3GWA	Industrial Tri-band 3G WCDMA modem with RS-232 and USB (RoHS)
GTM-201P-3GWA	Industrial Tri-band 3G WCDMA modem with RS-232, USB and GPS (RoHS)

Accessories

ANT-421-01	3 m External GPRS/GSM Antenna
ANT-115-03	5 m GPS Active External Antenna



NEW

I-8212W/I-8213W

Industrial Quad-band 2G GSM/GPRS Modem

Features

- Quad-band 2G Modem Operating of 850/900/1800/1900 MHz
- Designed for GPRS and SMS Applications
- Support TCP Server, TCP Client, UDP Client connection from 2G network
- Supports 32 channels GPS and NMEA 0183 version 3.01 (I-8213W only)
- PPS: 100ms pulse output/sec for precise timekeeping and time measurement (I-8213W only)
- Support Standard AT Commands
- High reliability in harsh environments
- LED indicators for power, GSM and GPS (I-8213W only) indication
- 4 KV ESD Protection
- DIN-Rail mountable
- Connect any Serial Device to GPRS and the Internet



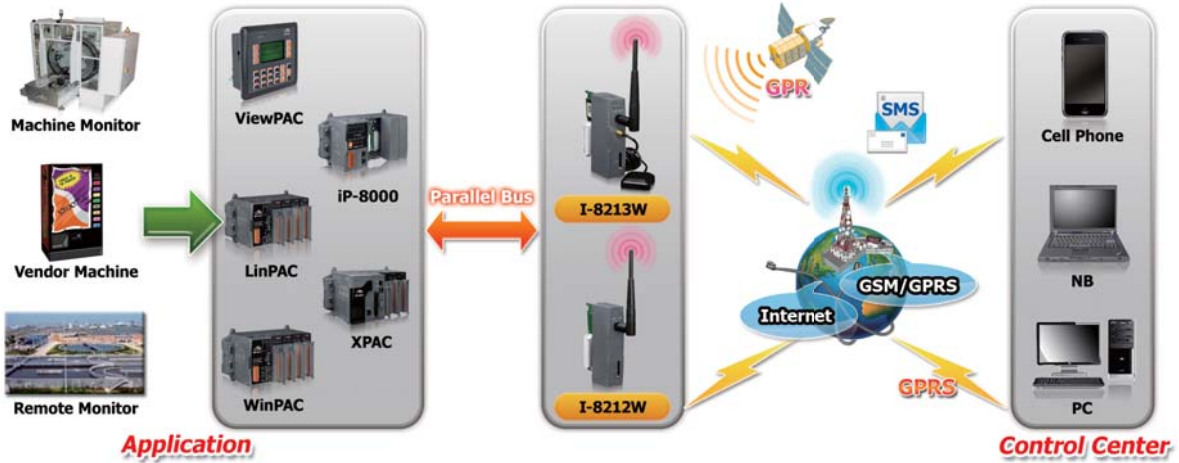
Introduction

The I-8212W/I-8213W are industrial Quad-band GSM/GPRS module with GPS function (I-8213W only) that work on frequencies of GSM 850 MHz, EGSM 900 MHz, DCS 1800 MHz and PCS 1900 MHz. These modules utilize the GSM/GPRS network for convenient and inexpensive data transfer from remote instruments, meters, computers or control systems in either live data or packet data. I-8212W/I-8213W has the integrated TCP/IP stack so that even simple controllers with serial communications ports can be connected to the modem without the need for special driver implementation. With the features of I-8212W/I-8213W, the systems can be SMS and GPRS connection applications with our PAC series like iP-8000, WinPAC, LinPAC or XPAC.

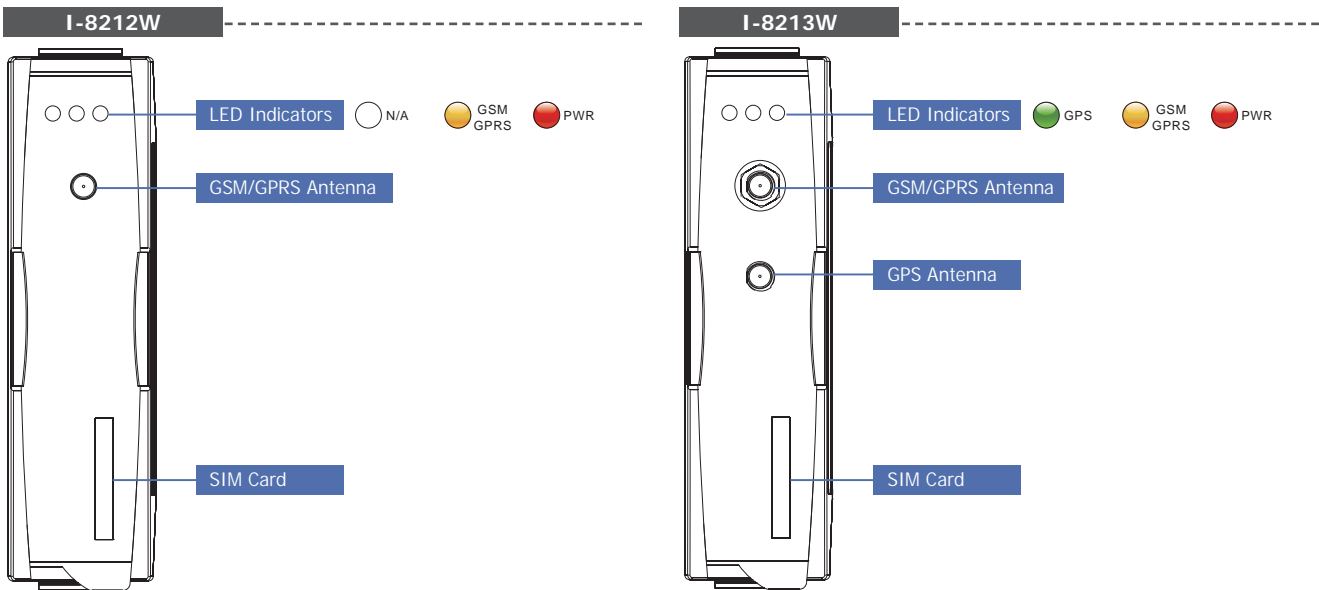
Specifications

Models	I-8212W	I-8213W
2G System		
Frequency Band	Quad-band: 850/900/1800/1900 MHz	
GPRS Multi-slot	Class 10/8	
GPRS Mobile Station	Class B	
GPRS Class 10	Up to 85.6 kbps download speed	
CSD	Up to 14.4 kbps	
Compliant with GSM Phase 2/2+	Class 4 (2 W @ 850/900 MHz); Class 1 (1 W @ 1800/1900 MHz)	
Coding Schemes	CS 1, CS 2, CS 3, CS 4	
SMS	Text and PDU Mode	
GPS Interface		
Support Channels	-	32
Sensitivity	-	Tracking = up to 159 dBm (with external LNA) Cold start = up to 146 dBm (with external LNA)
Acquisition Time	-	Hot Start (Open Sky) = 2s (typical) Cold Start (Open Sky) = 36s (typical)
Protocol Support	-	NMEA 0183 version 3.01
LED Indicators		
Power	Red	
GSM/GPRS	Yellow	
GPS	-	Green
Power		
Frame Ground Protection	ESD, Surge, EFT, Hi-Pot	
Power Consumption	Idle: 0.16 A @ 5 Vdc; Data Link: 0.2 ~ 1.64 A (peak) @ 5 Vdc	
Mechanical		
Casing	Plastic	
Dimensions (W x L x H)	30mm x 85 mm x 114mm	
Environment		
Operating Temperature	-25 °C ~ +75 °C	
Storage Temperature	-40 °C ~ +80 °C	
Humidity	5% ~ 90% RH, Non-condensing	

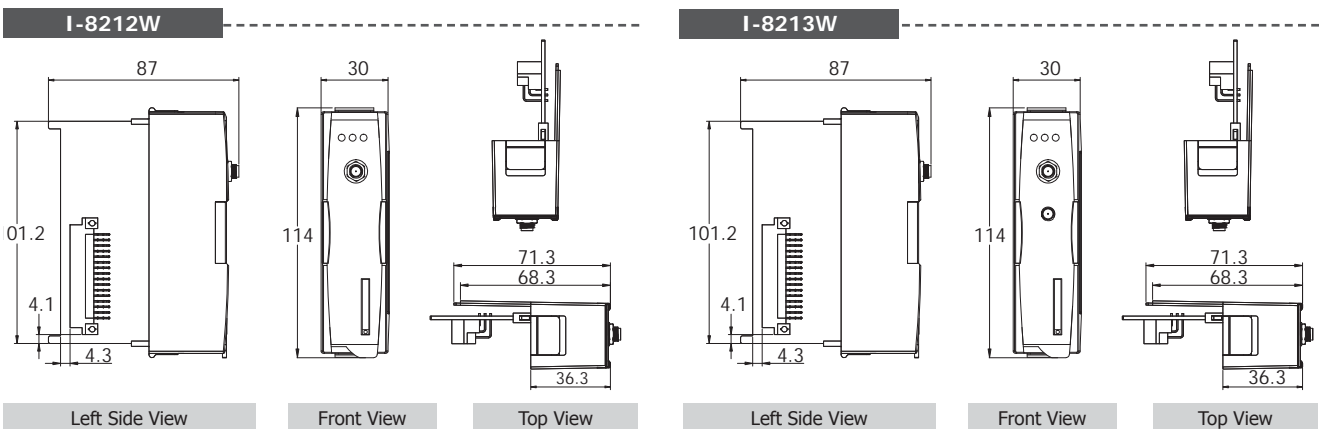
Applications



Appearance



Dimensions (Units: mm)



Ordering Information

I-8212W CR	Industrial Quad-band 2G GSM/GPRS module (RoHS)
I-8213W CR	Industrial Quad-band 2G GSM/GPRS module with GPS function (RoHS)

Accessories

ANT-421-01	3 m External GPRS/GSM Antenna
ANT-115-03	5 m GPS Active External Antenna

4.3. Intelligent 2G/3G Module



Features

- Quad-band 2G Modem Operating of 850/900/1800/1900 MHz
- Identify ASCII or Unicode SMS Automatically
- Support up to 160 ASCII Characters
- Support Max. 70 Unicode Characters
- Built-in ASCII Command and Transparent Communication Modes
- Max. 10 Default Phone Numbers
- Support DC +10 V_{DC} ~ +30 V_{DC} Power Input
- Support 3.7 V Li-ion Battery Backup
- Built-in Watch-dog Function
- Industrial Design with Surge Protection



Introduction

GT-530 is an intelligent SMS controller for industry applications with the simple commands and SMS tunnel function, and power can be input by the external power or Li-Battery. It supports UNICODE or 7 bit format for users to implement sending SMS messages with various languages. Applying GT-530, the SMS report can be sent by defined time or DI/counter event trigger. This can be a remote control and alarm system allowing you to use your mobile phone to monitor and control your business from any location. Its alarm facilities provide a flexible way to distribute critical alarm information to any number of mobile phone users. GT-530 can monitor total 10 digital inputs (or 6 counters). The user can also obtain the status of I/O through SMS messages. The GT-530 also has 2 Digital output which can be activated via DI trigger or SMS to control the lamps, pumps, heaters etc.

Specifications

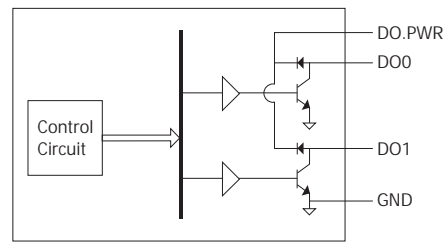
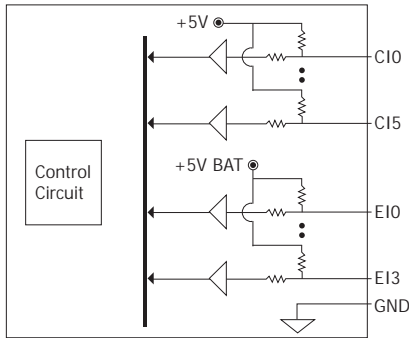
Models	GT-530
System	
CPU	32 bit
SRAM	32 Kbytes
Flash Memory	512 Kbytes
RTC	Gives time (sec, min, hour) & date, leap year compensation
WDT	Yes
2G System	
Frequency Band	Quad-band: 850/900/1800/1900 MHz
Compliant with GSM Phase 2/2+	Class 4 (2 W @ 850/900 MHz); Class 1 (1 W @ 1800/1900 MHz)
Coding Schemes	CS 1, CS 2, CS 3, CS 4
SMS	7 bits and UCS2
Serial Ports	
COM 2	RS-232: TxD, RxD, GND (use for device configuration)
COM 3	RS-232: TxD, RxD, GND (use for communication with other devices)
Baud Rate	9600 bps ~ 115200 bps
Digital Input	
Input Channels	10 Channel (6 Counter 5~40Hz + 4 Channel Digital input powered by external power or Li-battery)
On Voltage Level	+3.5 V _{DC} ~ +30 V _{DC}
Off Voltage Level	+1 V Max.
Digital Output	
Output Channels	2
Output Type	Open Collector Output
Load Voltage	+30 V _{DC} Max.
Load Current	100 mA Max.
Power	
Protection	Power reverse polarity protection
Frame Ground Protection	ESD, Surge, EFT, Hi-Pot
Required Supply Voltage	+10 V _{DC} ~ +30 V _{DC}
Mechanical	
Casing	Plastic
Flammability	UL 94V-0 materials
Dimensions (W x L x H)	91 mm x 132 mm x 52 mm
Installation	DIN-Rail
Environment	
Operating Temperature	-25 °C ~ +75 °C
Storage Temperature	-40 °C ~ +80 °C
Humidity	5% ~ 90% RH, Non-condensing

Applications

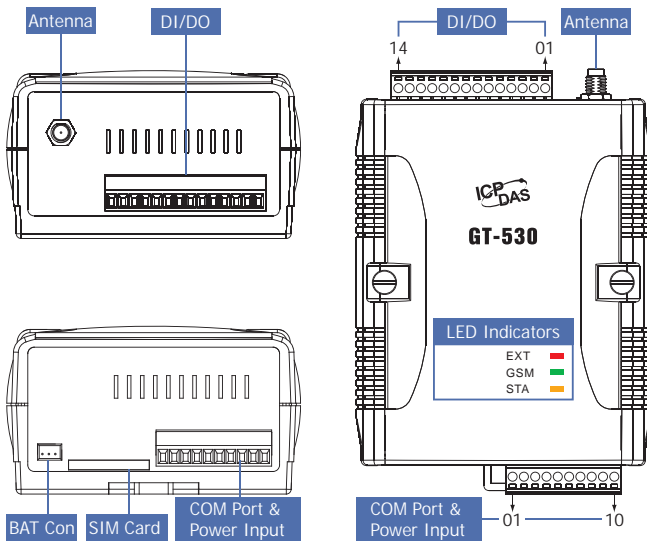
- Signal Alarm and SMS communication
- Home security
- Remote maintenance



Internal I/O Structure

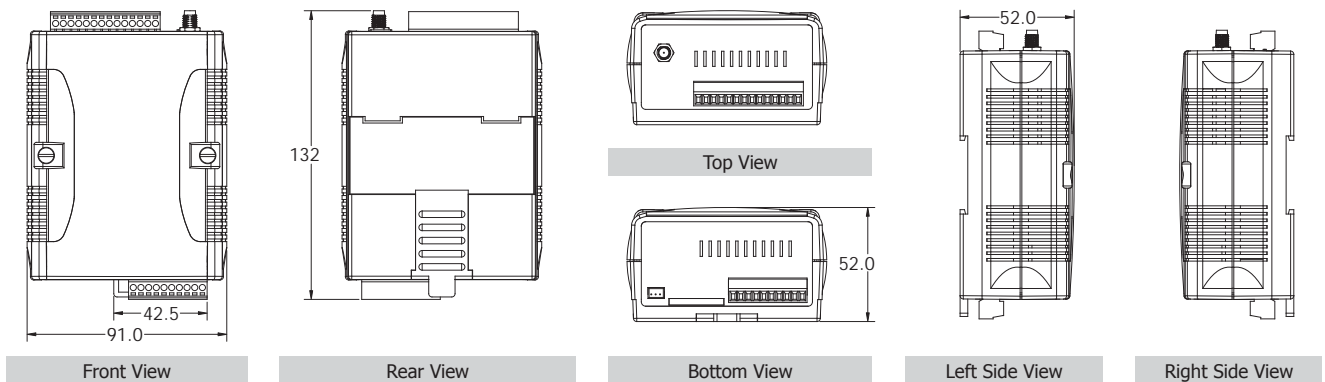


Appearance



DI/DO		COM Port & Power Input			
Terminal No.	Pin Assignment	Terminal No.	Pin Assignment		
DI	01	DI0	01	GND	
	02	DI1	02	RxD3	
	03	DI2	03	TxD3	
	04	DI3	04	GND	
	05	DI4	05	RxD2	
	06	DI5	06	TxD2	
	07	DI6	N/A	N/A	
	08	DI7	Power Input: +10 Vdc ~ +30 Vdc	08	DC.+Vs
	09	DI8		09	DC.GND
	10	DI9	Frame Ground	10	F.G.
DO	11	DO0			
	12	DO1			
DI/DO	13	DO.PWR			
	14	Ext.GND			

Dimensions (Units: mm)



Ordering Information

GT-530 CR Intelligent SMS Alarm Controller (RoHS)

Accessories

ANT-421-01 3 m External GPRS/GSM Antenna

NEW



GT-531

Intelligent Modbus SMS/GSM Gateway

Features

- Quad-band 2G Modem Operating of 850/900/1800/1900 MHz
- Support Modbus RTU slave protocol
- Support Max. 256 short messages and voice alarms
- Support Max. 70 Unicode Characters
- Escalation and reminder function
- Configurable SMS messages
- Up to 256 mobile phones can be alerted for each alarm point
- The phone numbers can be divided into groups
- Built-in Watch-dog Function
- DIN-Rail mountable



Introduction

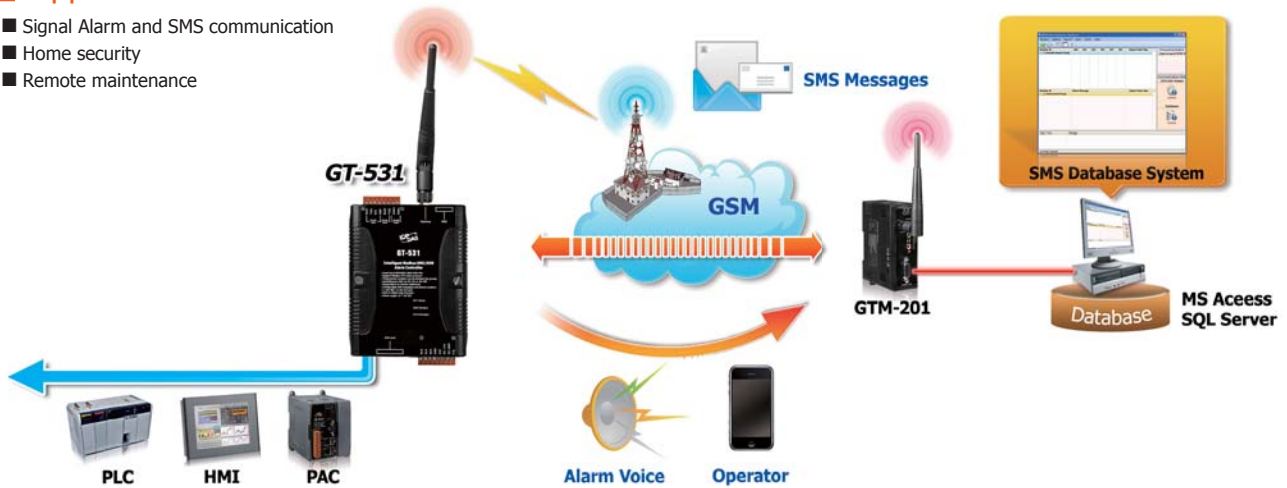
GT-531 is an intelligent Modbus SMS/GSM Gateway for industry M2M applications. It is convenient for users to apply to M2M applications with the host like PC, PLC, HMI and PAC. It supports UNICODE format for users to send SMS messages to the specific mobile phones by Modbus protocol with various language. That can make the current system to M2M applications. Moreover, the GT-531 also supports the sound alarm application with the pre-defined voice files. It can be used to inform operator the urgent event immediately. For managing more GT-53x series remotely, ICP DAS provides SMS DBS software for users to apply in the system. Therefore, the GT-531 can be a powerful tool allowing you to use your mobile phone to monitor and control your business from any location.

Specifications

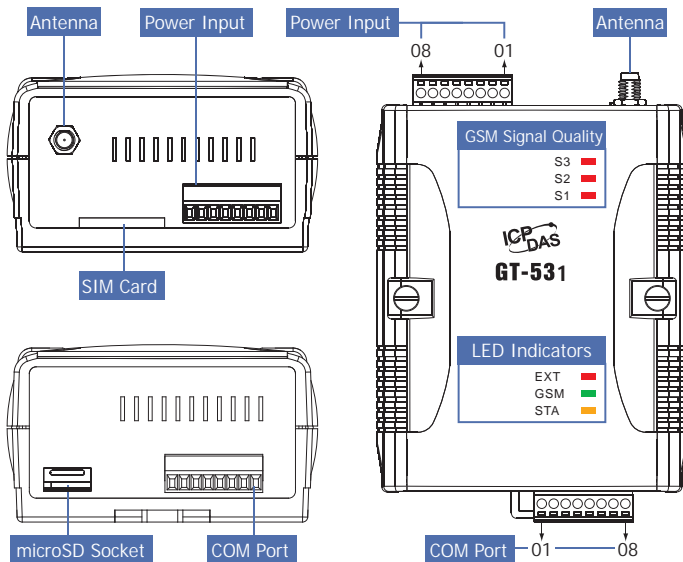
Models	GT-531
System	
CPU	32 bit
SRAM	32 Kbytes
Flash Memory	512 Kbytes
RTC	Gives time (sec, min, hour) & date, leap year compensation
WDT	Yes
SD Interface	Yes (2 GB Max.)
2G System	
Frequency Band	Quad-band: 850/900/1800/1900 MHz
Compliant with GSM Phase 2/2+	Class 4 (2 W @ 850/900 MHz); Class 1 (1 W @ 1800/1900 MHz)
Coding Schemes	CS 1, CS 2, CS 3, CS 4
SMS	UCS2
Serial Ports	
COM 1	RS-232: TxD, RxD, GND (use for device configuration and debug)
COM 2	RS-232: TxD, RxD, GND (use for communication with other devices)
COM 3	RS-485: D+, D- (use for communication with other devices)
Baud Rate	9600 bps ~ 115200 bps
Power	
Protection	Power reverse polarity protection
Frame Ground Protection	ESD, Surge, EFT, Hi-Pot
Required Supply Voltage	+10 Vdc ~ +30 Vdc
Mechanical	
Casing	Plastic
Flammability	UL 94V-0 materials
Dimensions (W x L x H)	91 mm x 132 mm x 52 mm
Installation	DIN-Rail
Environment	
Operating Temperature	-25 °C ~ +75 °C
Storage Temperature	-40 °C ~ +80 °C
Humidity	5% ~ 90% RH, Non-condensing

Applications

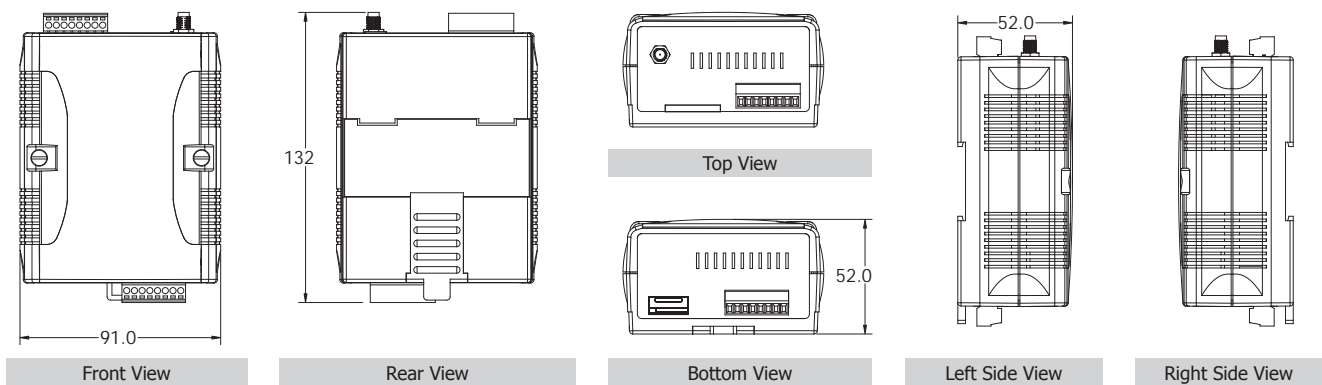
- Signal Alarm and SMS communication
- Home security
- Remote maintenance



Appearance



Dimensions (Units: mm)



Ordering Information

GT-531 CR	Intelligent Modbus SMS/GSM Gateway (RoHS)
-----------	---

Accessories

ANT-421-01	3 m External GPRS/GSM Antenna
------------	-------------------------------

NEW

GT-534

Intelligent SMS/GSM Alarm Controller

Features

- Quad-band 2G Modem Operating of 850/900/1800/1900 MHz
- Support SMS DBS software
- Identify ASCII or Unicode SMS Automatically
- Support Max. 140 ASCII and 70 Unicode Characters
- Built-in ASCII Command and Transparent Communication Modes
- Max. 10 Default Phone Numbers
- Voice Alarm and SMS triggered by DI trigger or exceed AI/Counter preset limits
- DO control by dual-tone multi-frequency
- Support 3.7 V Li-ion Battery Backup
- Built-in Watch-dog Function
- Industrial Design with Surge Protection



Introduction

The GT-534 is an intelligent SMS/GSM controller for industry applications with the simple commands and SMS tunnel function, and power can be input by the external power or Li-Battery. It supports UNICODE or 7 bit format for users to implement sending SMS messages with various languages. The GT-534 also provides the sound alarm application with the pre-defined voice files. In addition, the DTMF function of the GT-534 is for the applications with the keypad of phones to control the local I/O. And, With the SMS DBS software of ICP DAS, users can manage the GT-534 in PC centrally.

Specifications

Models	GT-534
2G System	
Frequency Band	Quad-band: 850/900/1800/1900 MHz
Compliant with GSM Phase 2/2+	Class 4 (2 W @ 850/900 MHz); Class 1 (1 W @ 1800/1900 MHz)
Coding Schemes	CS 1, CS 2, CS 3, CS 4
SMS	7 bits and UCS2
Serial Ports	
COM 1	RS-232: TxD, RxD, GND (use for device configuration)
COM 2	RS-232, RS-485 (Transparency)
Baud Rate	9600 bps ~ 115200 bps
Digital Input	
Input Channels	6 (Wet Contact)
Input Type	Isolated
On Voltage Level	+3.5 Vdc ~ 30 Vdc
Off Voltage Level	+1 V Max.
Digital Output	
Output Channels	2
Output Type	Isolated
Load Current	100 mA/channel
Analog Input	
Input Channels	1
Resolution	12-bit
Input Range/Type	0 ~ 20 mA
Sample Rate	1 Hz Max.
Power	
Protection	Power reverse polarity protection
Frame Ground Protection	ESD, Surge, EFT, Hi-Pot
Required Supply Voltage	+10 Vdc ~ +30 Vdc
Mechanical	
Casing	Plastic
Flammability	UL 94V-0 materials
Dimensions (W x L x H)	91 mm x 132 mm x 52 mm
Installation	DIN-Rail
Environment	
Operating Temperature	-25 °C ~ +75 °C
Storage Temperature	-40 °C ~ +80 °C
Humidity	5% ~ 90% RH, Non-condensing

Applications

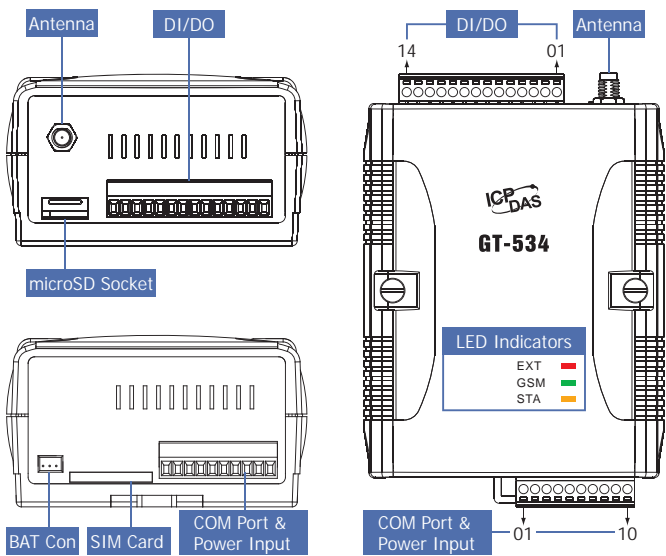
Home Security



- Door Event
- Smoke Event
- Window Event

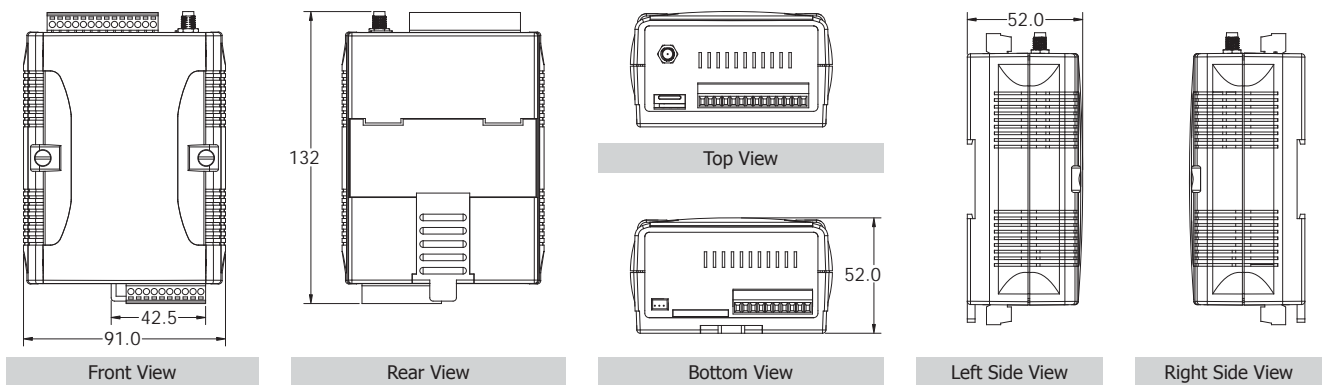


Appearance



DI/DO/AI		COM Port & Power Input	
Terminal No.	Pin Assignment	Terminal No.	Pin Assignment
DI	01 DI0	COM1 RS-232	01 GND
	02 DI1		02 RxD1
	03 DI2		03 TxD1
	04 DI3	COM2 RS-485	04 D+
	05 DI4		05 D-
	06 DI5	Power Input: +10 V _{DC} ~ +30 V _{DC}	06 RTS+
	07 DI.COM		07 RTS-
DO	08 DO.PWR	Frame Ground	08 DC.+Vs
	09 DO0		09 DC.GND
	10 DO1	10 F.G.	
	11 DO.GND		
12	N/A		
AI	13 Ain+		
	14 Ain-		

Dimensions (Units: mm)



Ordering Information

GT-534 CR	Intelligent SMS/GSM Alarm Controller (RoHS, include: 2G micro SD card)
-----------	--

Accessories

ANT-421-01	3 m External GPRS/GSM Antenna
BT600	3.7 V 600 mAh Battery
BT1200	3.7 V 1200 mAh Battery



GT-540/GT-540P

Intelligent GPRS Remote Terminal Unit with GPS

Features

- Quad-band 2G Modem Operating of 850/900/1800/1900 MHz
- Automatic/continuous GPRS Link Management
- Support Modbus RTU protocol with Max. 3 Modbus RTU devices.
- Support M2M OPC Server for SCADA system
- Easy-to-use API tool for users to develop their applications by various program development tools
- Can be the GPRS I/O device
- Support data transferring by E-mail
- DO control by dual-tone multi-frequency
- Support 3.7 V Li-ion Battery Backup
- Built-in Watch-dog Function
- Industrial Design with Surge Protection



Introduction

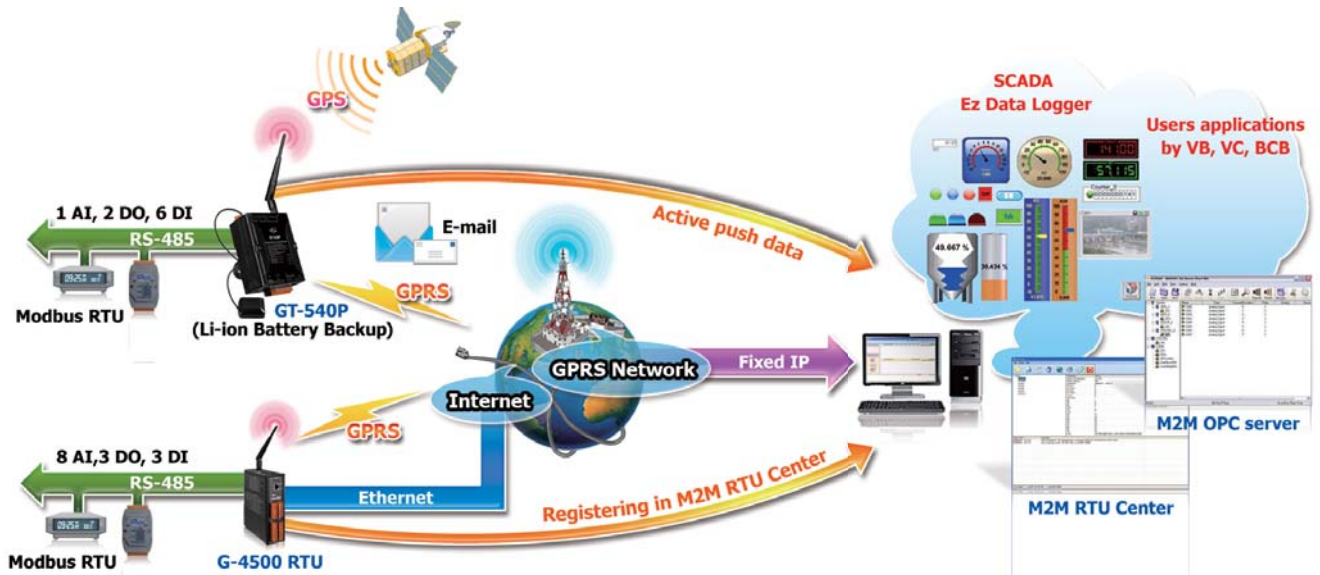
The GT-540/GT-540P is an intelligent Active GPRS Remote Terminal Unit with GPS (GT-540P only). It features GPRS/GSM module, 6 digital inputs, 2 digital outputs, 1 analog input, 2 RS-232, 1 RS-485 and SD interface. It can be used in M2M application fields to transfer the local I/O or Modbus device's data by GPRS by the defined period or DI/AI triggers. The local I/O or GPS data can also be stored in the SD card to become a remote data logger. For another communication path, the unit offers the e-mail mode to transfer the data by e-mail via GPRS for users to choose. The simple I/O linkage function of the module can reach the real time control in local field. It also supports Li-ion battery as another power source when the main power is failed temporarily. Therefore, the GT-540/GT-540P is an ideal solution for environmental monitoring and remote device management for M2M applications.

Specifications

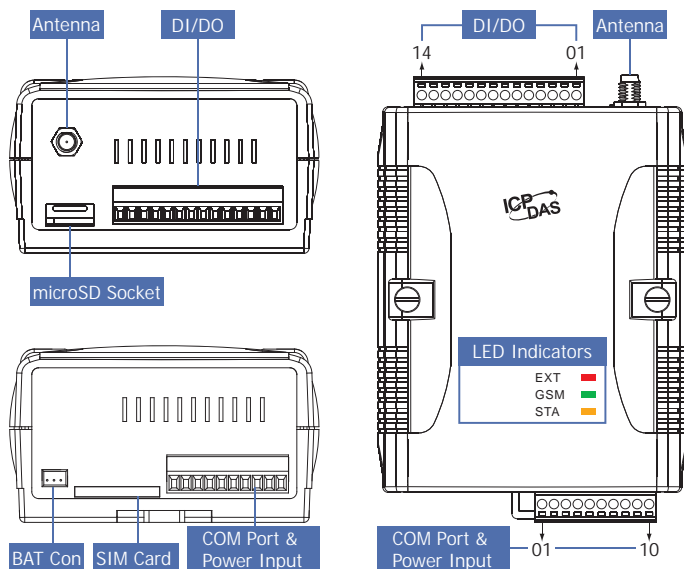
Models	GT-540	GT-540P
System		
CPU	32 bit	
SRAM	64 Kbytes	
Flash Memory	512 Kbytes	
RTC	Gives time (sec, min, hour) & date, leap year compensation	
WDT	Yes	
SD Interface	Yes (2 GB Max.)	
2G System		
Frequency Band	Quad-band: 850/900/1800/1900 MHz	
GPRS Multi-slot	Class 10/8	
GPRS Mobile Station	Class B	
GPRS Class 10	Up to 85.6 kbps download speed	
Compliant with GSM Phase 2/2+	Class 4 (2 W @ 850/900 MHz); Class 1 (1 W @ 1800/1900 MHz)	
Coding Schemes	CS 1, CS 2, CS 3, CS 4	
Serial Ports		
COM 1	RS-232: TxD, RxD, GND (use for device configuration)	
COM 2	RS-232, RS-485 (Transparency)	
GPS System		
Support Channels	-	32
Protocol Support	-	NMEA 0183
Digital Input		
Input Channels	6 (Wet Contact)	
Input Type	Sink or Source, Isolated channel with common power or ground	
On Voltage Level	+3.5 V _{DC} ~ 30 V _{DC}	
Off Voltage Level	+1 V Max.	
Counters	6 (16 bit, 5 ~ 40 Hz), Min. Pulse Width: 25 ms	
Digital Output		
Output Channels	2	
Output Type	Open-Collector (NPN) (100 mA @ 24 V _{DC})	
Load Voltage / Current	+24 V / 100 mA Max.	

Models	GT-540	GT-540P
Analog Input		
Input Channels	1	
Resolution	12-bit	
Input Range/Type	0 ~ 20 mA	
Power		
Protection	Power reverse polarity protection	
Frame Ground Protection	ESD, Surge, EFT, Hi-Pot	
Required Supply Voltage	+10 Vdc ~ +30 Vdc	
Mechanical		
Casing	Plastic	
Flammability	UL 94V-0 materials	
Dimensions (W x L x H)	91 mm x 132 mm x 52 mm	
Installation	DIN-Rail	
Environment		
Operating Temperature	-25 °C ~ +75 °C	
Storage Temperature	-40 °C ~ +80 °C	
Humidity	5% ~ 90% RH, Non-condensing	

Applications

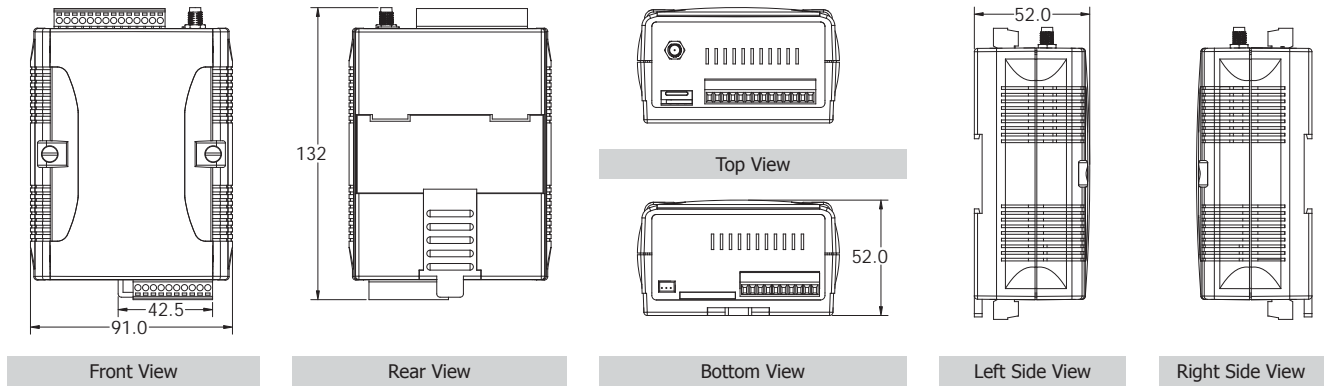


Appearance

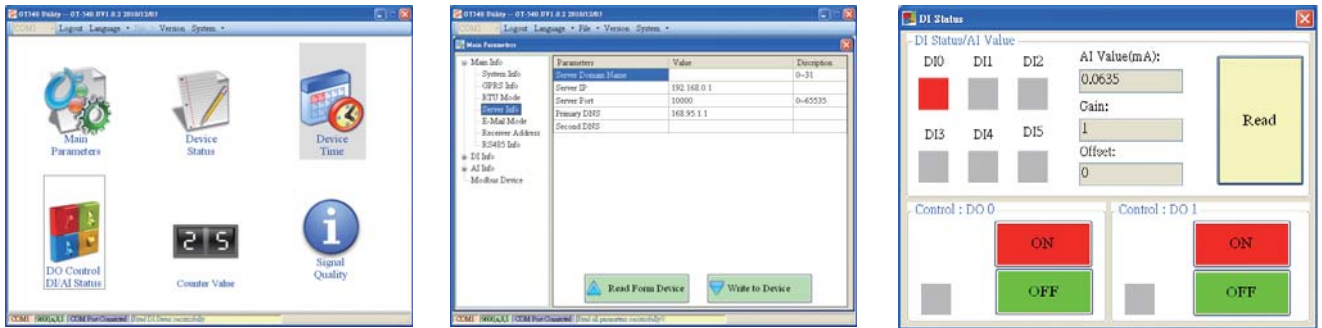


DI/DO/AI		COM Port & Power Input		
Terminal No.	Pin Assignment	Terminal No.	Pin Assignment	
DI	01 DI0	COM1 RS-232	01 GND	
	02 DI1		02 RxD1	
	03 DI2		03 TxD1	
	DO	04 DI3	COM2 RS-485	04 D+
		05 DI4		05 D-
		06 DI5	Power Input: +10 Vdc ~ +30 Vdc	06 RTS+
		07 DI.COM		07 RTS-
08 DO.PWR		08 DC.+Vs		
AI		09 DO0	Frame Ground	09 DC.GND
		10 DO1		10 F.G.
	11 DO.GND			
	12 N/A			
	13 Ain+			
	14 Ain-			

Dimensions (Units: mm)



Utility



Ordering Information

GT-540 CR	Intelligent GPRS Remote Terminal Unit (RoHS, include: 2G micro SD card)
GT-540P CR	Intelligent GPRS Remote Terminal Unit with GPS (RoHS, include: 2G micro SD card)

Accessories

ANT-421-01	3 m External GPRS/GSM Antenna
ANT-115-03	5 m GPS Active External Antenna
BT600	3.7 V 600 mAh Battery
BT1200	3.7 V 1200 mAh Battery

Available soon



GT-541

Intelligent Multiport Serial to GPRS Gateway

Features

- Quad-band 2G Modem Operating of 850/900/1800/1900 MHz
- Virtual COM Extend Real COM Ports via GPRS
- Remote Configuration by Virtual COM
- 1 x RS-232 port and 1 x RS-485 port for Virtual COM. 1 x Utility port for Configuration
- Built-in Watch-dog Function
- Power Reverse Polarity Protection
- Power supply +10 V_{DC} ~ +30 V_{DC}
- DIN-Rail mountable



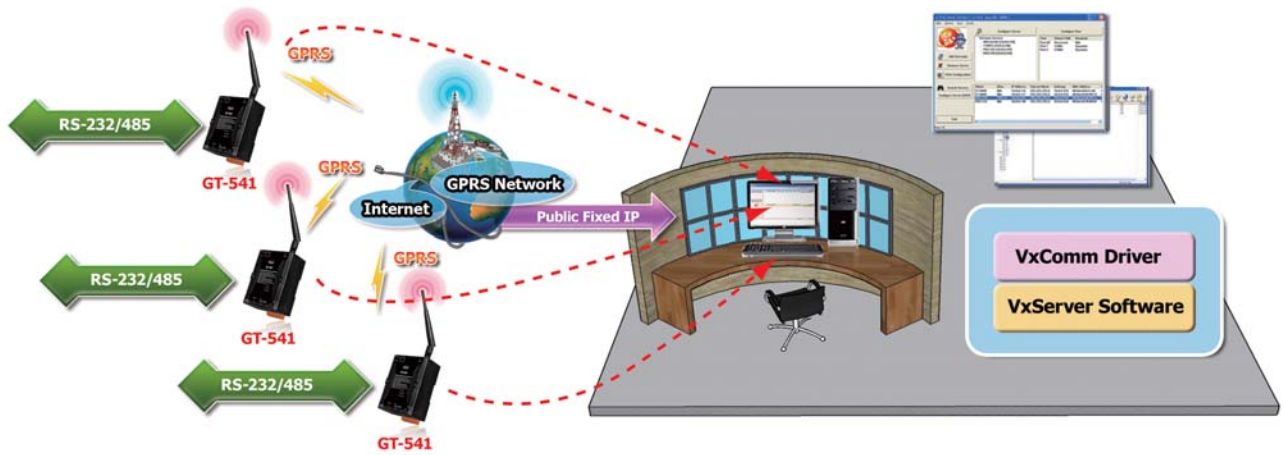
Introduction

GT-541 is an intelligent multiport serial to GPRS gateway for industry M2M applications. It is designed for linking RS-232/485 devices to a GPRS network. The user-friendly VxComm Driver/Utility and VxServer allow users to easily turn the built-in COM ports of the GT-541 into standard COM ports on a PC. By virtue of its protocol independence, a small-core OS and high flexibility, the GT-541 is able to meet the demands of every network-enabled application. M2M solution will improve the service quality and reduce operating costs. Many application areas can be improved by using GT-541.

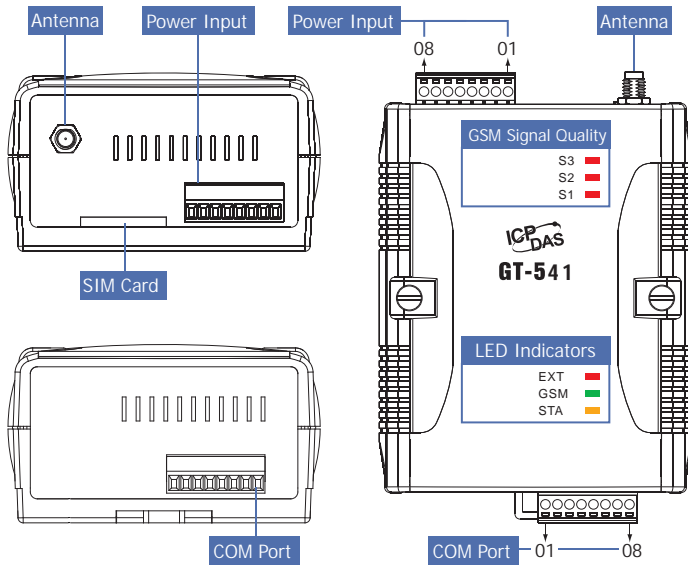
Specifications

Models	GT-541
System	
CPU	32 bit
SRAM	32 Kbytes
Flash Memory	512 Kbytes
WDT	Yes
2G System	
Frequency Band	Quad-band: 850/900/1800/1900 MHz
Compliant with GSM Phase 2/2+	Class 4 (2 W @ 850/900 MHz); Class 1 (1 W @ 1800/1900 MHz)
Coding Schemes	CS 1, CS 2, CS 3, CS 4
Serial Ports	
Utility Port	RS-232: TxD, RxD, GND (use for device configuration and debug)
COM 1	RS-232: TxD, RxD, GND (use for communication with other devices)
COM 2	RS-485: D+, D- (use for communication with other devices)
Baud Rate	9600 bps ~ 115200 bps
Power	
Protection	Power reverse polarity protection
Frame Ground Protection	ESD, Surge, EFT, Hi-Pot
Required Supply Voltage	+10 V _{DC} ~ +30 V _{DC}
Mechanical	
Casing	Plastic
Flammability	UL 94V-0 materials
Dimensions (W x L x H)	91 mm x 132 mm x 52 mm
Installation	DIN-Rail
Environment	
Operating Temperature	-25 °C ~ +75 °C
Storage Temperature	-40 °C ~ +80 °C
Humidity	5% ~ 90% RH, Non-condensing

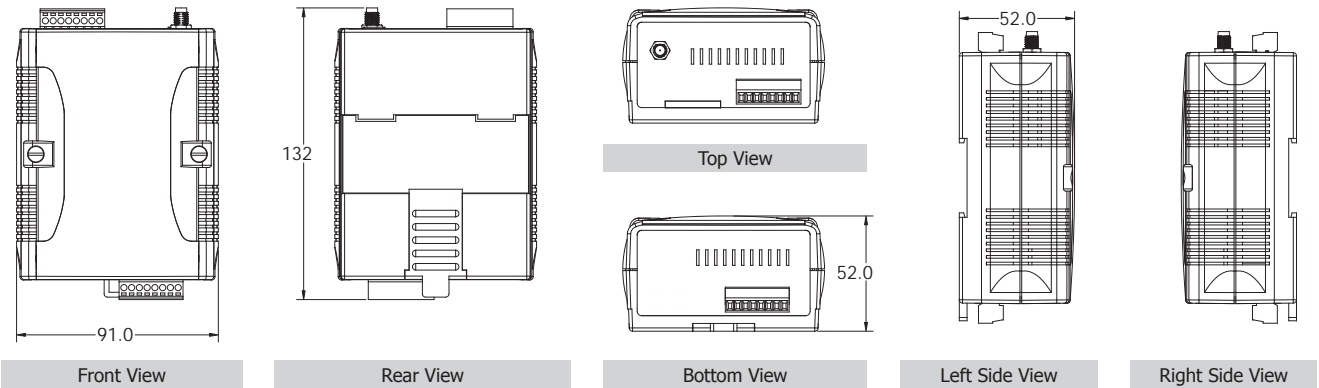
Applications



Appearance



Dimensions (Units: mm)



Ordering Information

GT-541	Intelligent Multiport Serial to GPRS Gateway
--------	--

Accessories

ANT-421-01	3 m External GPRS/GSM Antenna
------------	-------------------------------



Features

- Built-in Web Server for IF-THEN-ELSE rule setting
- Built-in IF-THEN-ELSE rule engine for logic operation
- No more programming. Just click and get done!
- Support IO, Counter, Timer, Email operations
- Modbus/TCP Protocol for SCADA Software Seamless Integration
- 10/100 Base-TX Ethernet
- Support GSM: Quad-band 850/900/1800/1900 MHz
- I/O: 3 channels DI, 3 channels DO, 8 channels AI
- 128 × 64 dots LCM display (only for WISE-4000D)

Introduction

WISE (Web Inside, Smart Engine) is a product series developed by ICP DAS that functions as control units for use in remote logic control and monitoring in various industrial applications. WISE offers a user-friendly and intuitive web site interface that allows users to implement IF-THEN-ELSE control logic on controllers just a few clicks away; no programming is required. With its powerful and easy-to-use features, it will minimize the learning curve, shorten time to market and dramatically reduce the effort and cost spent on system development.

The WISE-4000 is an embedded controller that is perfect for use in real-time industrial equipment monitoring and environment monitoring. It allows updated status information being sent to the backend monitoring system via Ethernet interface. WISE-4000 supports Modbus/TCP protocol that allows seamless integration with SCADA software. It features 3 digital inputs, 3 digital outputs and 8 analog inputs. WISE-4000 also features SMS sending function for alarm report. By integrating with IF-THEN-ELSE rule engine, WISE-4000 even provides more powerful functions such as Schedule, Send SMS, Send e-mail, Timer & I/O operation for use in various industrial applications.

Specifications

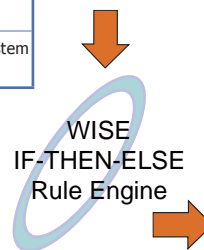
Models	WISE-4000	WISE-4000D
System		
CPU	16-bit CPU	
SRAM/Flash	512K/512K, real time clock, watchdog timer	
NVRAM	31 bytes, battery backup, data valid up to 10 years	
EEPROM	16 KB	
Communication Interface		
COM ports	No (Unsupported by WISE firmware)	
Ethernet	10/100 Base-TX Ethernet controller	
SMS Function		
Frequency Band	Quad-band 850/900/1800/1900 MHz	
GPRS connectivity	GPRS class 10/8; GPRS station class B	
DATA GPRS	Downlink transfer: Max. 85.6 kbps; Uplink transfer: Max. 42.8kbps	
Mode	Text and Unicode mode	
LCD Interface		
General	Effective display area	80.61 mm x 14.37 mm (W x H)
	Module Dimension	93 mm x 70 mm x 1.6 mm (W x H x T)
Life Time	Expected life is more than 100,000 hours under normal operation	
LED Indicators		
System	Red	
GPRS	Yellow	
Digital Input		
Input Channels	3	
Input Type	Source (Dry Type), Common Ground	
On Voltage Level	+3.5 V _{DC} ~ 30 V _{DC}	
Off Voltage Level	+1 V _{DC} Max.	
Isolated Voltag	Non-isolated	
Counters	Max. Count	65535 (16 bits)
	Max. Input Frequency	50 Hz
	Min. Pulse Width	10 ms

Models		WISE-4000	WISE-4000D
Digital Output			
Output Channels		3	
Output Type		Open Collector (Sink/NPN)	
Load Voltage		+30 V _{DC} Max.	
Load Current		100 mA Max.	
Isolated Voltage		Non-isolated	
Counters	Max. Count	65535 (16 bits)	
	Max. Input Frequency	50 Hz	
	Min. Pulse Width	10 ms	
Analog Input			
Input Channels		8	
Resolution		12-bit	
Input Range/Type		0 ~ 20 mA	
Sample Rate		1 KHz Max. (Read one channel)	
Power			
Protection		Power reverse polarity protection	
Frame Ground Protection		ESD, Surge, EFT, Hi-Pot	
Power Requirement		15W; Unregulated +10 V _{DC} ~ +30 V _{DC}	
Power Consumption		Idle: 75 mA @ 24 V _{DC} ; Data Link: 150 ~ 400 mA (peak) @ 24 V _{DC}	
Mechanical			
Dimensions (W x H x D)		72 mm x 123 mm x 35 mm	
Installation		DIN-Rail or Wall mounting	
Environment			
Operating Temperature		-25 °C ~ +75 °C	-15 °C ~ +55 °C
Storage Temperature		-40 °C ~ +80 °C	-20 °C ~ +70 °C
Humidity		5% ~ 90% RH, Non-condensing	

Software Specifications

Functions	
Rule Configuration Website	Access Web server on WISE controllers to edit and upload logic rules through web browser.
36 IF-THEN-ELSE Logic Rules	3 IF conditions with AND or OR operators 3 THEN actions and 3 ELSE actions
48 Internal Registers	Hold temporary variables and read/write data via Modbus/TCP address.
12 Timers	Delay / Timing functions.
12 Schedules	Setup prescheduled routine tasks.
12 SMS	Send SMS to pre-set mobile phone numbers.
12 Emails	Send Email messages to pre-set Email receivers.
12 CGI Commands	Send pre-set CGI commands.
12 Recipes	Set up THEN/ELSE action groups.
8 P2P remote modules	Set up the connection information for the remote WISE modules
Modbus/TCP Protocol	Real time control and monitoring I/O channels and system status of controllers via SCADA software.

IF Condition	
DI Channel	ON' OFF' ON to OFF' OFF to ON' Change
AI Channel	=' >' <' >=' <='(value)
Internal Register	
DI Counter	=' >' <' >=' <='(value)' Change
DO Counter	
Timer	Timeout' Not Timeout
Schedule	In Range' Out of Range
P2P	DI' AI' DI counter' DO counter' IR
Rule Status	Enable' Disable



THEN / ELSE Action	
DO Channel	ON' OFF' Pulse Output
Internal Register	Change the value
DI Counter	Reset
DO Counter	
Timer	Start' Stop
Schedule	
SMS	Send
Email	
CGI Commands	
Recipe	Execute
P2P	DO (On/Off)' AO' IR
Rule Status	Enable' Disable

Applications

Building Automation, Factory Automation, Machine Automation, Remote Maintenance, Remote diagnosis and Testing Equipment, etc.



Appearance

WISE-4000/WISE-4000D

LED Indicators
 ○ N/A ● GPRS ● Sys

Ethernet
 10/100M
 Link/Act

CN2 Pin Assignment					
Analog Input 0 ~ +20 mA	AI7	Pin 16	Pin 8	AGND	Analog Ground
	AI6	Pin 15	Pin 7	AGND	
	AI5	Pin 14	Pin 6	AGND	
	AI4	Pin 13	Pin 5	AGND	
	AI3	Pin 12	Pin 4	GND	
Digital Input	AI2	Pin 11	Pin 3	DI2	Digital Input
	AI1	Pin 10	Pin 2	DI1	
	AI0	Pin 9	Pin 1	DI0	

CN1 Pin Assignment					
COM3 RS-232	RxD3	Pin 20	Pin 10	DO.PWR	Digital Output
	TxD3	Pin 19	Pin 9	DO2	
Ground of RS-232	GND	Pin 18	Pin 8	DO1	
COM1 RS-232	CTS1	Pin 17	Pin 7	DO0	COM2 RS-485
	RTS1	Pin 16	Pin 6	D+	
	RxD1	Pin 15	Pin 5	D-	
	TxD1	Pin 14	Pin 4	GND	
Power Input: +10 V _{DC} ~ +30 V _{DC}	DC.+Vs	Pin 13	Pin 3	DC.+Vs	Power Input: +10 V _{DC} ~ +30 V _{DC}
	DC.GND	Pin 12	Pin 2	DC.GND	
	N/A	Pin 11	Pin 1	F.G.	

Top View

WISE-4000 **WISE-4000D**

Right Side View

Dimensions (Units: mm)

WISE-4000

WISE-4000D

WISE-4000/WISE-4000D

Right Side View

Right Side View

Front View

Left Side View

Rear View

Top View

Bottom View

Wire Connection

Input Type	DI Value as 0	DI Value as 1
	Relay On	Relay Off
Sink		
	Voltage < 1V	Voltage < 3.5V
Source		
	Open Collector On	Open Collector Off

Output Type	DO Command as 0	DO Command as 1
	Relay ON	Relay Off
Drive Relay		
Resistance Load		

Current Input Wire Connection	
Input Type	

Ordering Information

WISE-4000 CR	3-channel DI, 3-channel DO, and 8-channel AI WISE Controller with SMS Module (RoHS)
WISE-4000D CR	3-channel DI, 3-channel DO, and 8-channel AI WISE Controller with SMS Module and LCD Display (RoHS)

Accessories

ANT-421-01	3 m External GPRS/GSM Antenna
------------	-------------------------------

4.5. Mini PAC with 2G/3G Modem

NEW



**G-4500(D)-2G
G-4500P(D)-2G**

Quad-band 2G GSM/GPRS M2M Mini-PAC

Features

- Embedded MiniOS7, anti-virus
- Support a variety of TCP/IP features, including TCP, UDP, IP, ICMP, ARP
- 10/100Base-TX Ethernet Controller
- COM port: COM1 (5-wire RS-232), COM2 (RS-485), COM3 (3-wire RS-232)
- Built-in self-tuner ASIC controller on RS-485 port
- I/O: 3 channel DI, 3 channel DO, 8 channel AI
- Support SD storage card
- GSM/GPRS: Quad-band 850/900/1800/1900 MHz
- Support TCP server, TCP client, UDP client connection from GPRS
- GPS: 32 channels with All-In-View tracking (option)
- 128 x 64 dots LCM display (only for G-4500D-2G and G-4500PD-2G)
- Support Virtual COM technology
- Support Modbus Protocol
- High reliability in harsh environment
- Free easy-to-use software development toolkits

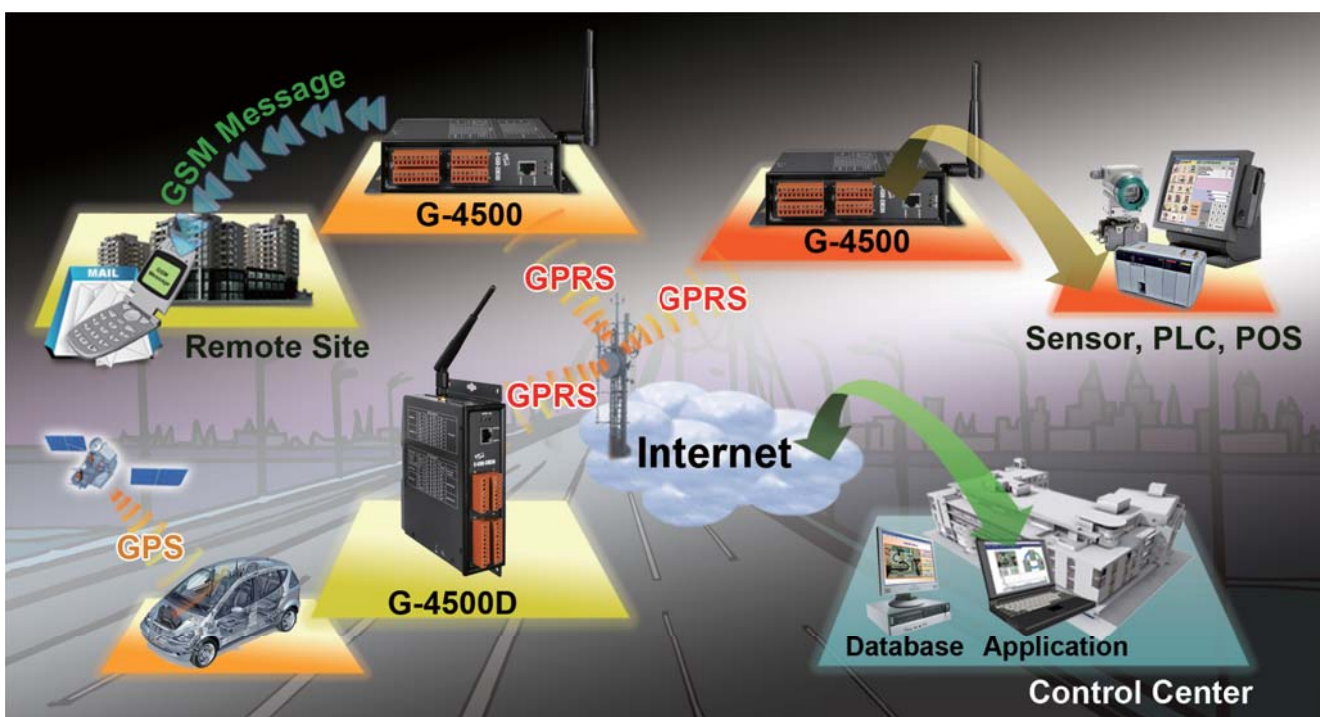


Introduction

The Quad-band G-4500 series provided by ICP DAS are M2M (Machine to Machine) mini programmable controllers which are widely recommended in the market. They are widely applied in various applications like hydrographic monitoring, intelligent power, flow meter report system and GPS car-tracking system. The G-4500-2G series also features GSM/GPRS module, Ethernet interface, optional GPS module, 3 digital inputs, 3 digital outputs, 8 analog inputs, 2 RS-232 and 1 RS-485 port which can be used in various application field to transfer data by GPRS, SMS, Ethernet or serial bus. By using G-4500 series, a machine can be installed virtually anywhere but still be connected to a support centre. M2M solution will improve the service quality and reduce operating costs. Many application areas can be improved by using G-4500-2G.

Applications

- Remote Control/Monitoring Systems
- Car Monitor Systems
- GIS Systems
- Redundant Communication Systems



Specifications

Models	G-4500-2G	G-4500D-2G	G-4500P-2G	G-4500PD-2G	
System					
CPU	80 MHz				
SRAM	512 Kbytes				
Flash Memory	512 Kbytes				
NVRAM	31 bytes, battery backup, data valid up to 10 years				
EEPROM	16 KB, data retention >40 years. 1,000,000 erase/write cycles				
2G System					
Frequency Band	Quad-band GSM/GPRS: 850/900/1800/1900 MHz				
GPRS Multi-slot	Class 10/8				
GPRS Mobile Station	Class B				
GPRS Class 10	Up to 85.6 kbps download speed				
CSD	Up to 14.4 kbps				
Compliant with GSM Phase 2/2+	Class 4 (2 W @ 850/900 MHz); Class 1 (1 W @ 1800/1900 MHz)				
Coding Schemes	CS 1, CS 2, CS 3, CS 4				
SMS	MT, MO, CB, Text and PDU mode				
Serial Port					
COM1	RS-232 (Rx/D, Tx/D, CTS, RTS, GND)				
COM2	RS-485 (D+, D-)				
COM3	RS-232 (Rx/D, Tx/D, GND)				
Ethernet	10/100 Base-TX Ethernet controller				
LCD Interface					
General	Effective display area	-	80.61 mm x 14.37 mm (W x H)	-	80.61 mm x 14.37 mm (W x H)
	Module Dimension	-	93 mm x 70 mm x 1.6 mm (W x H x T)	-	93 mm x 70 mm x 1.6 mm (W x H x T)
Life Time	-	Expected life is more than 100,000 hours under normal operation		-	Expected life is more than 100,000 hours under normal operation
GPS Interface					
Support Channels	-		32		
Acquisition Time	-		Hot Start (Open Sky) = 2s (typical) Cold Start (Open Sky) = 36s (typical)		
Protocol	-		MNEA 0183 version 3.01		
Digital Input					
Input Channels	3				
Input Type	Source (Dry Type), Common Ground				
Protocol	On: +1 V Max. Off: +3.5 ~ +30 V				
Digital Output					
Output Channels	3				
Output Type	Open Collector (Sink/NPN)				
Load Voltage	+30 Vdc Max.				
Load Current	100 mA Max.				
Analog Input					
Input Channel	8 (Single-ended)				
Resolution	12-bit				
Input Range/Type	0 ~ 20 mA				
Sample Rate	1 KHz Max. (read one channel)				
Power					
Protection	Power reverse polarity protection				
Frame Ground Protection	ESD, Surge, EFT, Hi-Pot				
Required Supply Voltage	15W; Unregulated +10 Vdc ~ +30 Vdc				
Power Consumption	Idle: 75 mA @ 24 Vdc; Data Link: 150 ~ 400 mA (peak) @ 24 Vdc				
Mechanical					
Casing	Metal				
Dimensions (W x L x H)	47mm x 142 mm x 168mm				
Installation	DIN-Rail and Wall Mounting				
Environment					
Operating Temperature	-20°C ~ +70 °C	-15 °C ~ +55 °C	-20 °C ~ +70 °C	-15 °C ~ +55 °C	
Storage Temperature	-40 °C ~ +80 °C	-20 °C ~ +70 °C	-40 °C ~ +80 °C	-20 °C ~ +70 °C	
Humidity	5% ~ 90% RH, Non-condensing				

Appearance

G-4500(D)-2G

LED Indicators: N/A, GPRS, Sys

Ethernet: 10/100M Link/Act

Front View

G-4500P(D)-2G

LED Indicators: GPS, GPRS, Sys

Ethernet: 10/100M Link/Act

GPS

Front View

G-4500(D)-2G/G-4500P(D)-2G

DIP switch: RUN, Lock, INIT

MMC/SD

SIM Card

GPRS

Top View

CN2 Pin Assignment			
AI7	Pin 16	Pin 8	AGND
AI6	Pin 15	Pin 7	AGND
AI5	Pin 14	Pin 6	AGND
AI4	Pin 13	Pin 5	AGND
AI3	Pin 12	Pin 4	GND
AI2	Pin 11	Pin 3	DI2
AI1	Pin 10	Pin 2	DI1
AI0	Pin 9	Pin 1	DI0
Analog Input: 0 ~ +20 mA			
Analog Ground			
Digital Input			

CN1 Pin Assignment					
COM3 RS-232	RxD3	Pin 20	Pin 10	DO.PWR	Digital Output
	TxD3	Pin 19	Pin 9	DO2	
	GND	Pin 18	Pin 8	DO1	
COM1 RS-232	CTS1	Pin 17	Pin 7	DO0	COM2 RS-485
	RTS1	Pin 16	Pin 6	D+	
	RxD1	Pin 15	Pin 5	D-	
	TxD1	Pin 14	Pin 4	GND	
Power Input: +10 ~ +30 Vdc	DC.+VS	Pin 13	Pin 3	DC.+VS	Power Input: +10 ~ +30 Vdc
	DC.GND	Pin 12	Pin 2	DC.GND	
	N/A	Pin 11	Pin 1	F.G.	

G-4500(P)-2G

Front View

G-4500(P)D-2G

Right Side View

Dimensions (Units: mm)

G-4500-2G

Right Side View

Front View

G-4500D-2G

Right Side View

Front View

G-4500P-2G

Right Side View

Front View

G-4500PD-2G

Right Side View

Front View

G-4500(D)-2G

Left Side View

Rear View

Top View

Bottom View

G-4500P(D)-2G

Left Side View

Rear View

Top View

Bottom View

Ordering Information

G-4500-2G CR	Quad-band M2M Mini-Programmable Automation Controller (RoHS)
G-4500D-2G CR	Quad-band M2M Mini-Programmable Automation Controller with LCD display (RoHS)
G-4500P-2G CR	Quad-band M2M Mini-Programmable Automation Controller with GPS Function (RoHS)
G-4500PD-2G CR	Quad-band M2M Mini-Programmable Automation Controller with LCD display and GPS Function (RoHS)

Accessories

ANT-421-01	3 m External GPRS/GSM Antenna
ANT-115-03	5 m GPS Active External Antenna

NEW


G-4500(D)-3GWA G-4500P(D)-3GWA

Tri-band 3G WCDMA M2M Mini-PAC

Features

- Embedded MiniOS7, anti-virus
- Support a variety of TCP/IP features, including TCP, UDP, IP, ICMP, ARP
- 10/100Base-TX Ethernet Controller
- COM port: COM1 (5-wire RS-232), COM2 (RS-485), COM3 (3-wire RS-232)
- Support SD storage card
- Tri-band 850/1900/2100 MHz WCDMA supporting UMTS/HSDPA/HSUPA
- Quad-band 850/900/1800/1900 MHz GSM supporting GPRS
- Support TCP server, TCP client, UDP client connection stack
- GPS : 32 channels with All-In-View tracking (option)
- 128 x 64 dots LCM display (only for G-4500D-3GWA and G-4500PD-3GWA)
- Support Virtual COM technology
- Support Modbus Protocol
- High reliability in harsh environment
- Free easy-to-use software development toolkits

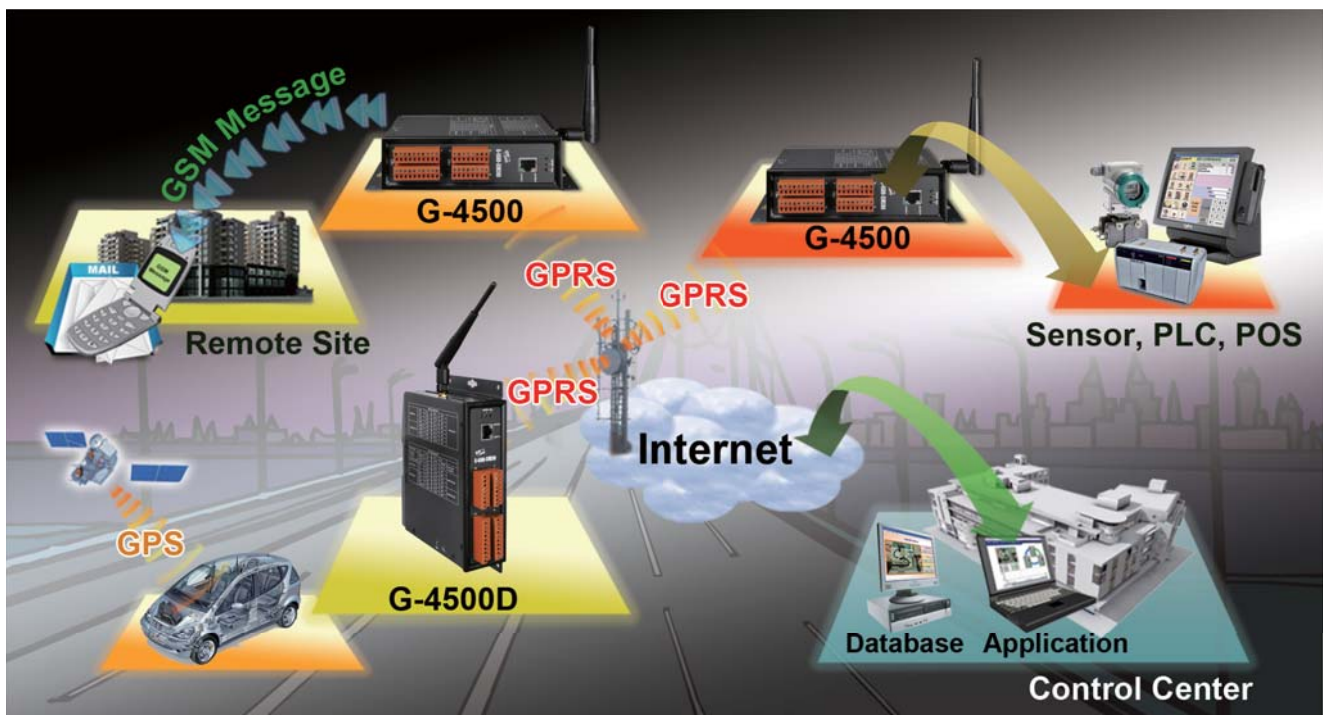


Introduction

The G-4500 series provided by ICP DAS are M2M (Machine to Machine) mini programmable controllers with a cellular transceiver can monitor industrial equipment that sends live data to the monitoring system, providing real-time status. With optional GPS model, the G-4500 can also be a GPS tracking system. It can be used in vehicle management system or maritime system. Within the high performance CPU, the G-4500 series can handle a large of data and suit for the harsh industrial environment. The G-4500-3GWA series features 3G/GSM module, Ethernet interface, optional GPS module, 3 digital inputs, 3 digital outputs, 8 analog inputs, 2 RS-232 and 1 RS-485 port.

Applications

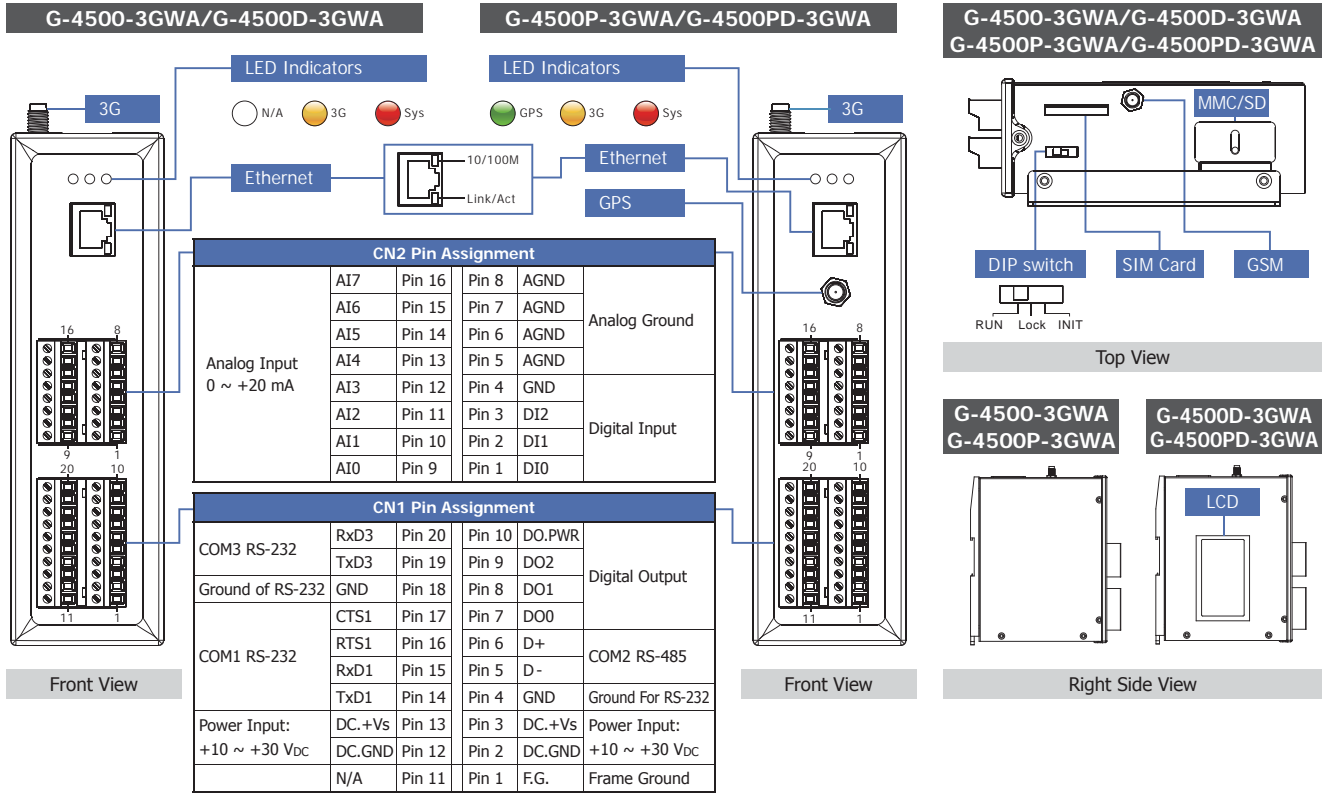
- Remote Control/Monitoring Systems
- Car Monitor Systems
- GIS Systems
- Redundant Communication Systems



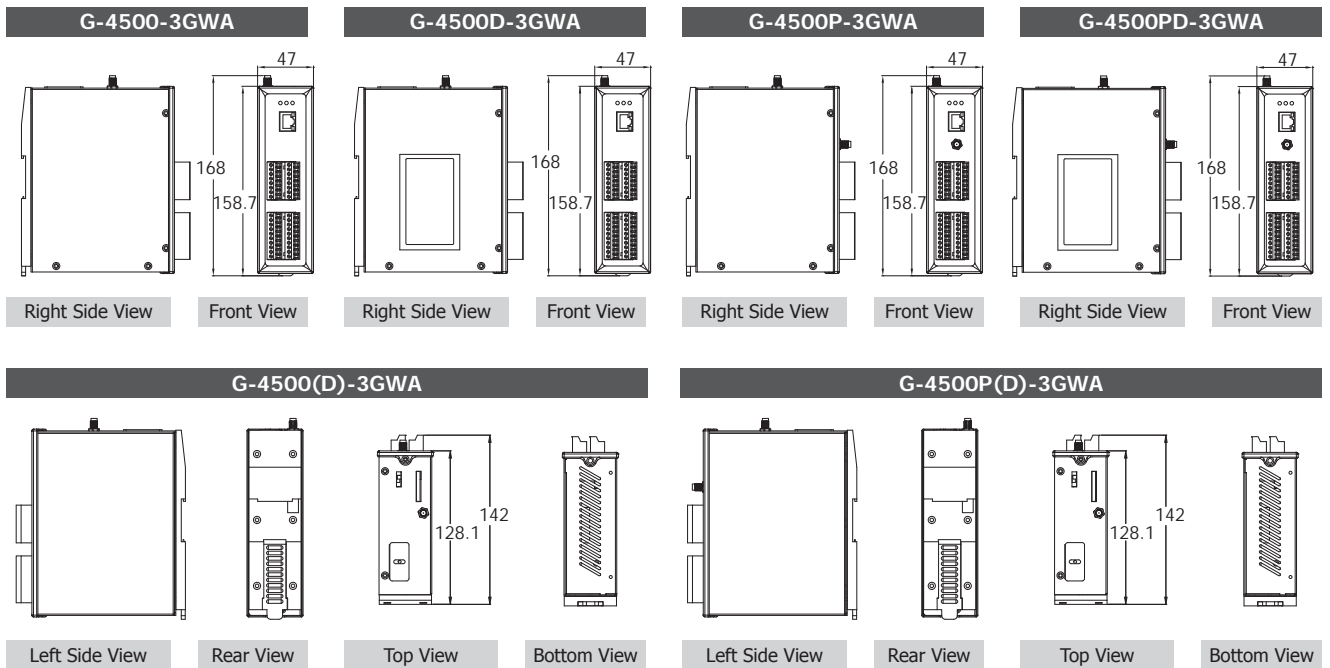
Specifications

Models	G-4500-3GWA	G-4500D-3GWA	G-4500P-3GWA	G-4500PD-3GWA	
System					
CPU	80 MHz				
SRAM	512 Kbytes				
Flash Memory	512 Kbytes				
NVRAM	31 bytes, battery backup, data valid up to 10 years				
EEPROM	16 KB, data retention >40 years. 1,000,000 erase/write cycles				
2G/3G System					
Frequency Band	3G UMTS/HSDPA/HSUPA: Tri-band 850/1900/2100 MHz, 2G GSM/GPRS: Quad-band 850/900/1800/1900 MHz				
3G Data Transmission	Downlink: Max. 7.2 Mbps; Uplink: Max. 5.76 Mbps				
2G Data Transmission	Downlink: Max. 85.6 kbps; Uplink: Max. 42.8 kbps				
2G Connectivity	GPRS class 12/10; GPRS station class B				
Serial Port					
COM1	RS-232 (CTS, TRS, RxD, TxD, GND)				
COM2	RS-485 (D+, D-)				
COM3	RS-232 (RxD, TxD, GND)				
Ethernet	10/100 Base-TX Ethernet controller				
LCD Interface					
General	Effective display area	-	80.61 mm x 14.37 mm (W x H)	-	80.61 mm x 14.37 mm (W x H)
	Module Dimension	-	93 mm x 70 mm x 1.6 mm (W x H x T)	-	93 mm x 70 mm x 1.6 mm (W x H x T)
Life Time	-	Expected life is more than 100,000 hours under normal operation	--	Expected life is more than 100,000 hours under normal operation	
GPS Interface					
Support Channels	-		32		
Acquisition Time	-		Hot Start (Open Sky) = 2s (typical) Cold Start (Open Sky) = 36s (typical)		
Protocol	-		NMEA 0183 version 3.01		
Digital Input					
Input Channels	3				
Input Type	Source (Dry Type), Common Ground				
On Voltage Level	+1 V Max.				
Off Voltage Level	+3.5 V _{DC} ~ +30 V _{DC}				
Digital Output					
Output Channels	3				
Output Type	Open Collector (Sink/NPN)				
Load Voltage	+30 V _{DC} Max.				
Load Current	100 mA Max.				
Analog Input					
Input Channel	8 (Single-ended)				
Resolution	12 bit				
Input Range/Type	0 ~ 20 mA				
Sample Rate	1 KHz Max. (read one channel)				
Power					
Protection	Power reverse polarity protection				
Frame Ground Protection	ESD, Surge, EFT, Hi-Pot				
Required Supply Voltage	15 W; Unregulated +10 V _{DC} ~ +30 V _{DC}				
Power Consumption	Idle: 75 mA @ 24 V _{DC} ; Data Link: 150 ~ 400 mA (peak) @ 24 V _{DC}				
Mechanical					
Casing	Metal				
Dimensions (W x L x H)	47mm x 142 mm x 168mm				
Installation	DIN-Rail and Wall mounting				
Environment					
Operating Temperature	-20°C ~ +70 °C	-15 °C ~ +55 °C	-20 °C ~ +70 °C	-15 °C ~ +55 °C	
Storage Temperature	-40 °C ~ +80 °C	-20 °C ~ +70 °C	-40 °C ~ +80 °C	-20 °C ~ +70 °C	
Humidity	5% ~ 90% RH, Non-condensing				

Appearance



Dimensions (Units: mm)



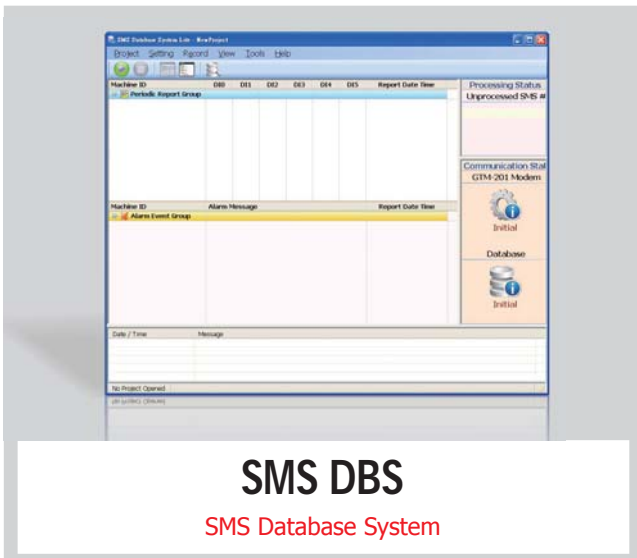
Ordering Information

G-4500-3GWA CR	Tri-band 3G WCDMA M2M Mini-Programmable Automation Controller (RoHS)
G-4500D-3GWA CR	Tri-band 3G WCDMA M2M Mini-Programmable Automation Controller with LCD display (RoHS)
G-4500P-3GWA CR	Tri-band 3G WCDMA M2M Mini-Programmable Automation Controller with GPS function (RoHS)
G-4500PD-3GWA CR	Tri-band 3G WCDMA M2M Mini-Programmable Automation Controller with LCD display and GPS function (RoHS)

Accessories

ANT-421-01	3 m External GPRS/GSM Antenna
ANT-115-03	5 m GPS Active External Antenna

4.5. Software Solutions



SMS DBS

SMS Database System

Features

- Quickly and easily build a GT-53x management system
- Support MS SQL Server and MS Access 2003 Database
- Provide backup mechanism in local sites: when experiencing unexpected disconnection and not able to transmit and store data in remote SQL Server database, the data will be safely kept in local sites
- Allow to view real-time or historical data of SMS messages sent by GT-53x series
- Support filter function that enables to receive SMS messages by specific phone numbers
- Support Windows 2000, Windows XP, Windows Vista, Windows 7
- Support GT-530, GT-531, and GT-534

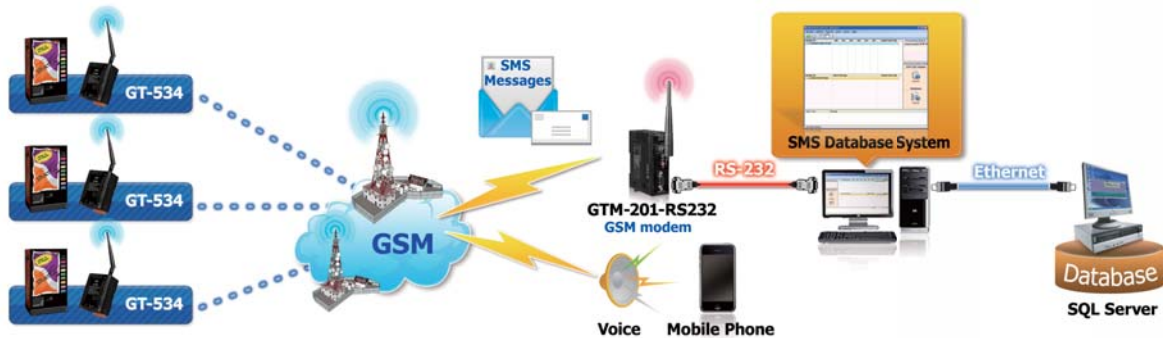


Introduction

ICP DAS's SMS Database System is a software solution that allows to manage remote GT-53x series more efficiently. GT-53x series are intelligent GSM controllers great for use in industry applications; they feature easy-to-use interface, SMS tunnel function voice communication and can be powered with an external power supply or Li-Battery. They support UNICODE and 7 bit format that allows users to send SMS messages in various languages; the SMS messages can be sent at user-defined time or whenever a predefined DI/counter event is triggered. With SMS Database System, it enables remote monitoring and database system for GT-53x, therefore, allows the 3rd party software tools being easily integrated with GT-53x series as well as users' applications.

Applications

Remote Maintenance



Vendor Machine Automation

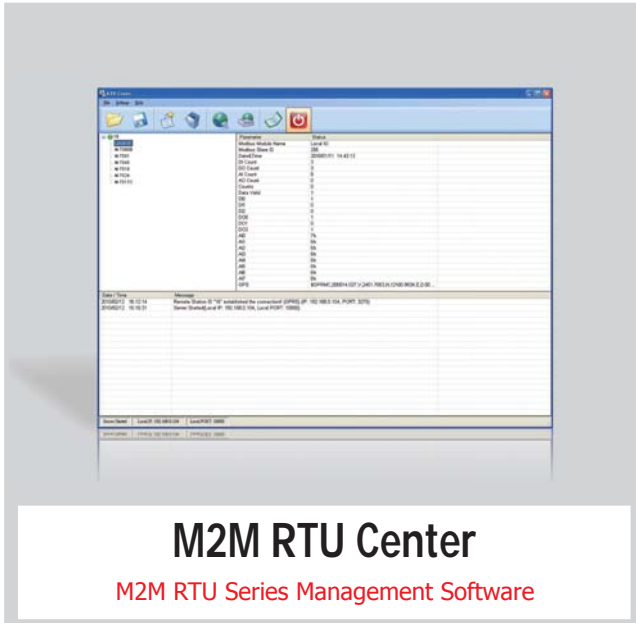


Version Comparison

Version	Max. Phone Number Supported	Database	License
SMS Database System Lite v1.0	3	MS Access 2003	Free
SMS Database System Pro v1.0	Unlimited	MS SQL Server / MS Access 2003	Charge

Ordering Information

SMS DBS	SMS Monitor/Database System Software for GT-53x series
---------	--



M2M RTU Center

M2M RTU Series Management Software

Features

- RTU series Management tool
- Support up to 128 M2M RTU devices
- Easy and quick to build a Remote monitor system
- Windows-based software
- Support NAPOPC.M2M server, EzDatalog and M2M API tool of ICP DAS
- Allow any Modbus device connecting to GPRS/Ethernet via RTU devices.

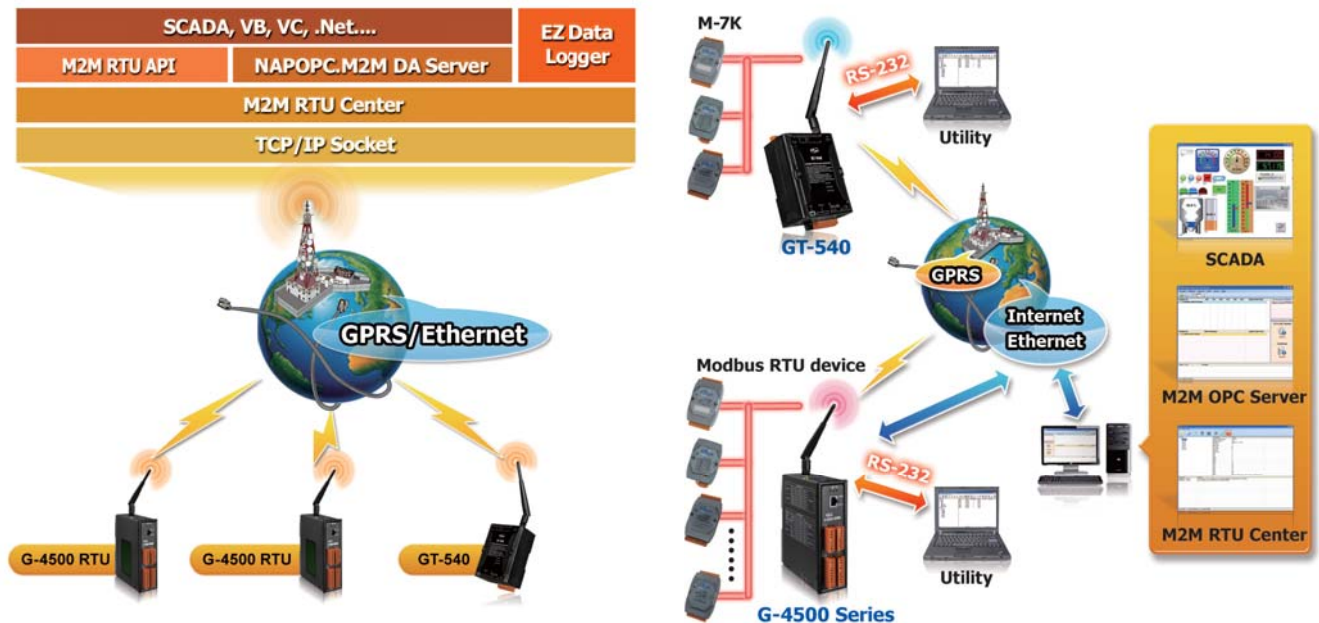


Introduction

The M2M RTU Center provided by ICP DAS is a M2M (Machine to Machine) management software that has a strong core technology for handling data and lets the user save the trouble of dealing with large IO data. The RTU Center supports the G-4500 series, GT-540 and other RTU products from ICP DAS and allows users to manage these RTU devices remotely. It is not only monitor the local IO and GPS data but also IO data of Modbus RTU devices. With M2M RTU Center, users can easily establish a remote system by using EZ Data Logger or OPC Client of user's SCADA to access data.

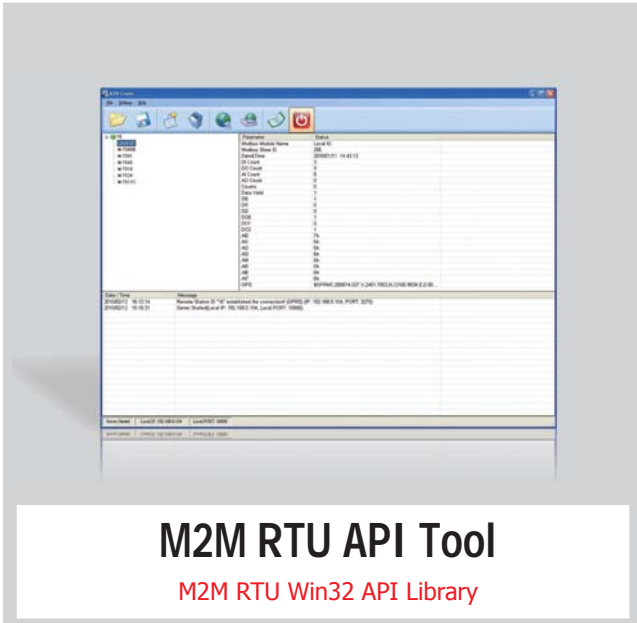
Software Architecture and Application

When users want to use the following software or others to their system with RTU products of ICP DAS, M2M RTU Center must be executed at the same time.



Product Support

Product	Description
RTU firmware	Management Firmware that supports G-4500 Series
GT-540	Intelligent GPRS Remote Terminal Unit



M2M RTU API Tool

M2M RTU Win32 API Library

Features

- Provide simple API functions for users to reduce the development time
- Easy to perform M2M RTU devices status monitoring and control
- Up to 128 M2M RTU devices can be managed
- Allow any Modbus device connecting to GPRS/Ethernet via RTU devices.
- Easily manage and control distributed remote devices via GPRS/Ethernet
- Support for M2M RTU products from ICP DAS

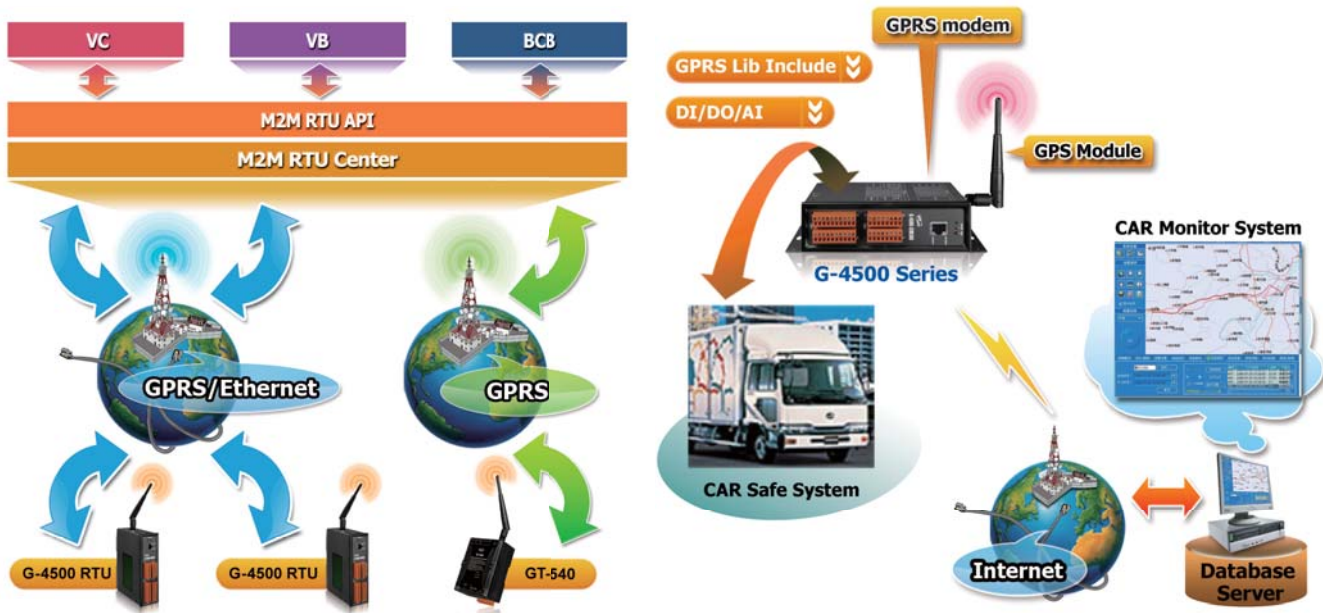


Introduction

M2M RTU API Tools is a Win32 API Library for M2M RTU products (G-4500 RTU, GT-540...) from ICP DAS. It provides the seamless connection between a user-designed system and M2M RTU products. With APIs of the library, programmer can access M2M RTU devices by developing program using most integrated development environments, such as VC, VB, BCB, visual studio.Net... etc. It is easy to integrate these GPRS RTU devices to various applications including real time data and database management system. Therefore, the Library can help users to apply the ICP DAS M2M RTU products in their applications to monitor the data and sends them out in real time to the control center through GPRS or Ethernet Network. Also, by combining a GPS (optional) with M2M GPRS RTU, they suddenly become a tracking system which you can often find out in the car system, marine system, etc.

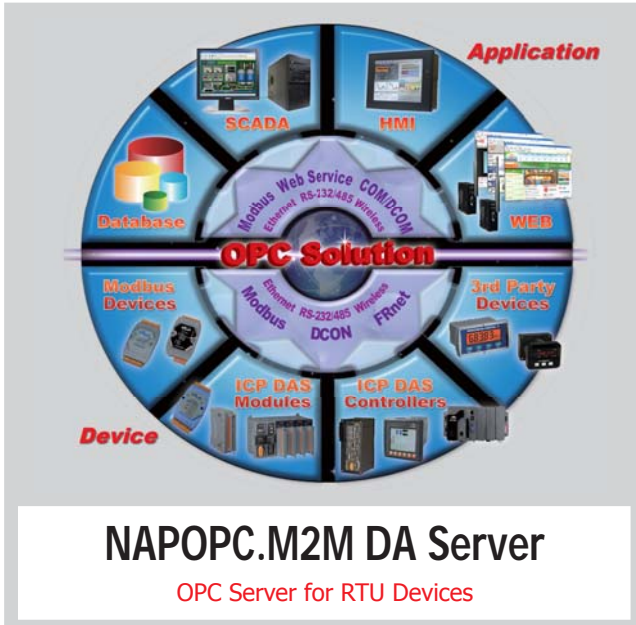
Software Architecture and Application

When users want to use the following software or others to their system with RTU products of ICP DAS, M2M RTU Center must be executed at the same time.



Product Support

Product	Description
RTU firmware	Management Firmware that supports G-4500 Series
GT-540	Intelligent GPRS Remote Terminal Unit



Features

- Provide an Explorer-style user interface.
- Provide multi-thread communication to communicate with RTU devices
- Support searching RTU devices automatically
- Allow any Modbus device connecting to GPRS/Ethernet via RTU devices.
- Real-time monitoring and controlling for RTU devices

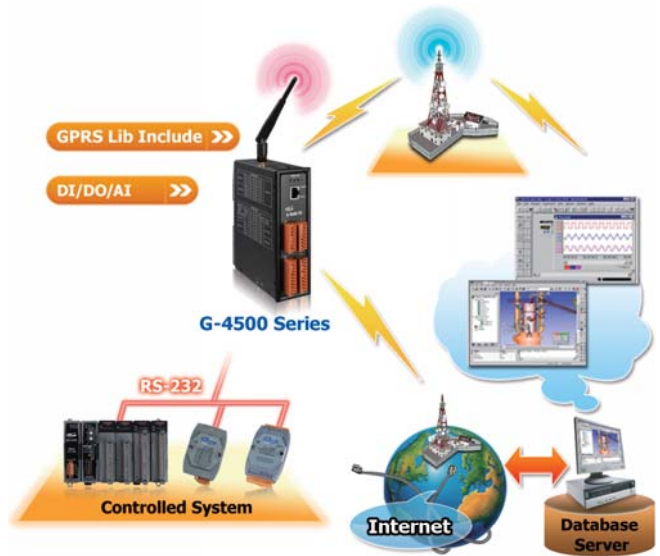
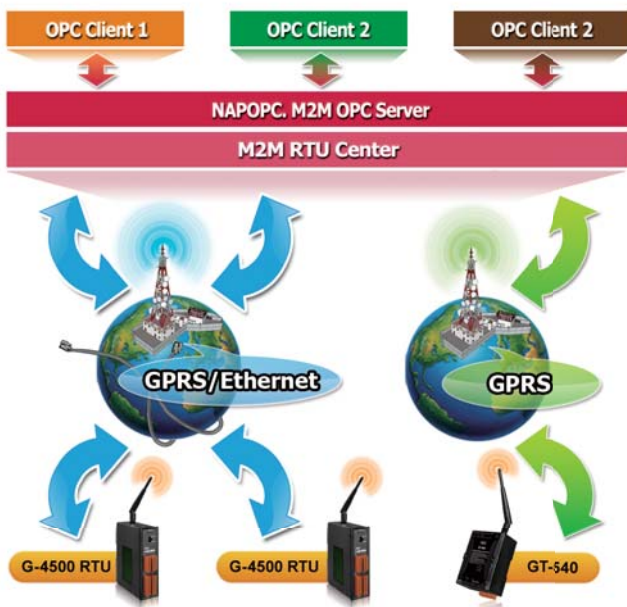


Introduction

ICP DAS NAPOPC.M2M DA Server is an OPC software package operated as an OPC driver of a HMI or SCADA system. It provides seamless connection with GPRS RTU products (G-4500 RTU, GT-540...) from ICP DAS to SCADA system (InduSoft, Wonderware, iFix, Citect, LabView and etc) following OPC 2.0 Data Access Standards. By using NAPOPC.M2M DA server and ICP DAS RTU products not only monitors the data but sends them out in real time to the control center through GPRS or Ethernet Network. Also, by combining a GPS (optional) with G-4500 RTU, it suddenly becomes a tracking system which you can often find out in the car system, marine system, etc.

Software Architecture and Application

M2M RTU Center is the M2M (Machine to Machine) management software of ICP DAS that has a strong core technology for handling data and lets the user save the trouble of dealing with large IO data. NAPOPC M2M server would get/set these RTU devices through M2M RTU Center. The architecture and application are as following.



Product Support

Product	Description
RTU firmware	Management Firmware that supports G-4500 Series
GT-540	Intelligent GPRS Remote Terminal Unit

ZigBee Products

5

5.1. Overview	P5-1-1
5.2. ZigBee Converters	P5-2-1
5.3. ZigBee I/O Modules	P5-3-1



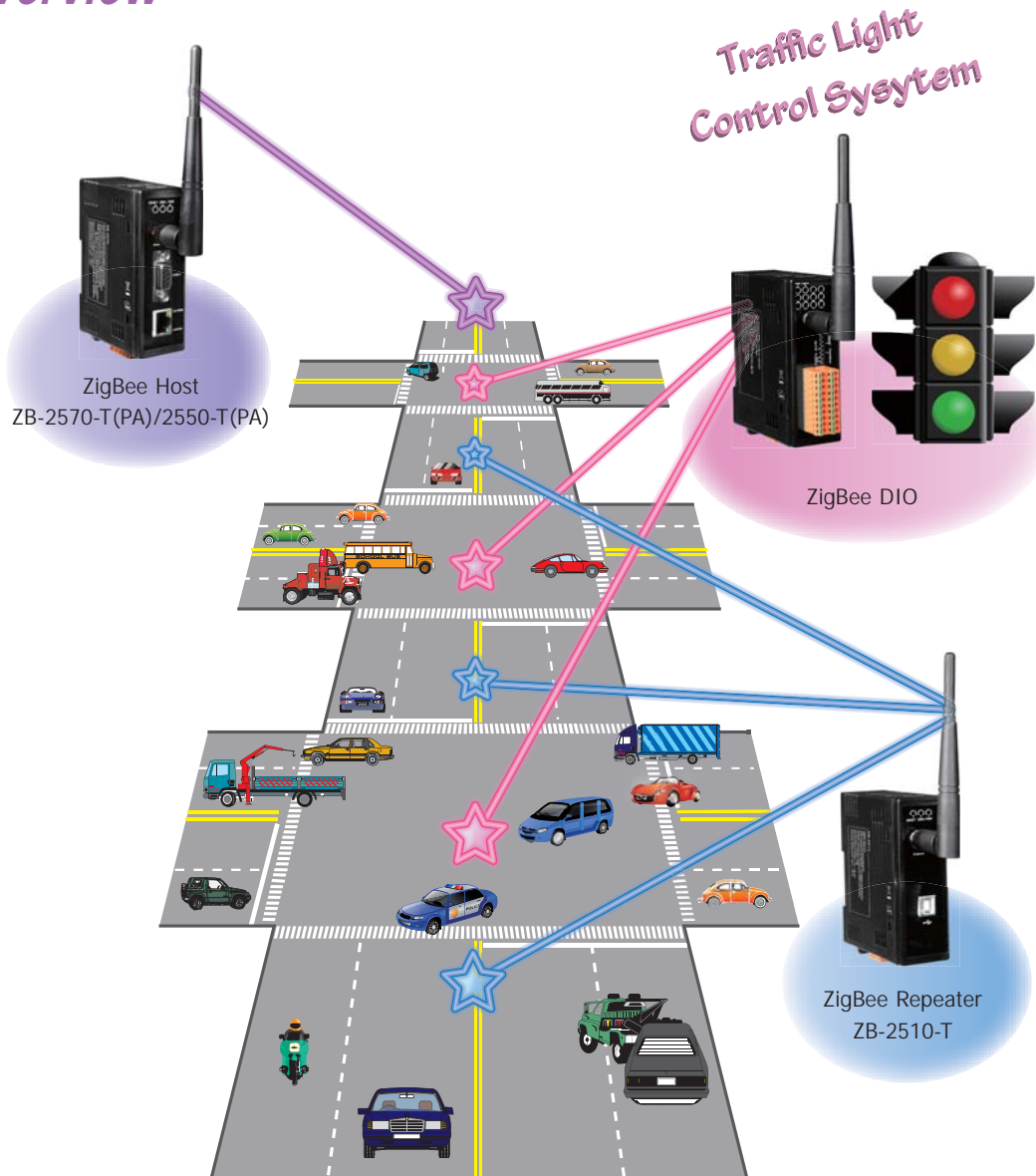
5.1. Overview

5

ZigBee Products

1

Overview



Based on the IEEE 802.15.4 standard for Wireless Personal Area Networks (WPANs), ZigBee operates in the ISM radio bands and works as a general purpose, inexpensive, self-organizing, mesh network that can be used for industrial control, embedded sensing, medical data collection, smoke and intruder warning, building automation, and home automation, etc.

ZigBee uses a basic master-slave configuration that is suited to the static star networks of many infrequently used devices that talk via small data packets. ICP DAS provides various ZigBee products such as Ethernet/RS-232/RS-485 to ZigBee converters, ZigBee repeater and ZigBee wireless I/O modules.

Advantages & Benefits

- ISM 2.4 GHz operating frequency and fully compliant 2.4 G IEEE 802.15.4 ZigBee specifications
- Wireless transmission range up to 100m (Line of sight)
- Provide friendly GUI configuration software (Windows Version)
- Support three different types of ZigBee devices (Coordinator, Full function device, Reduced function device) in a ZigBee network.
- Support three topologies (MESH, STAR, CLUSTER TREE) defined in the IEEE 802.15.4

• ZigBee Version Comparison

	Normal-version	T-version	P-version	PA-version
Transmission power	9 dBm	3 ~ 4 dBm	22 ~ 24 dBm	22 ~ 24 dBm
Antenna 2.4 GHz –	3 dBi Omni-Directional antenna	3 dBi Omni-Directional antenna	5 dBi Omni-Directional antenna	5 dBi Omni-Directional antenna
Transmission range (LOS)	100 m	100 m	700 m (Typical) 1 km (Max.)	700 m (Typical) 1 km (Max.)
ZB-100R/ZB-100T Supported	No	Yes	No	Yes
Max. Slaves Supported (Host)	60	256	60	256
Certification	No	CE/FCC,FCC ID	No	No

• ZigBee Converter Selection Guide



In some existing systems that use an Ethernet, RS-485 or RS-232 network, it is sometimes difficult to extend the new devices due to building structure issues, wiring problems or other reasons. The ZigBee Converter can be easily added to an existing system in order to extend the network

Model Name	Interface	Module Type	Transmit Power	Antenna	Distance (LOS)	Page
ZB-2550-T	1 × RS-232 1 × RS-485	Host	3 ~ 4 dBm	2.4GHz - 3dBi Omni-Directional antenna	100 m	5-2-1
ZB-2550-PA	1 × RS-232 1 × RS-485	Host	22 ~ 24 dBm	2.4GHz - 5dBi Omni-Directional antenna	700 m (Typical) 1 km (Max.)	5-2-1
ZB-2551-T	1 × RS-232 1 × RS-485	Slave	3 ~ 4 dBm	2.4GHz - 3dBi Omni-Directional antenna	100 m	5-2-1
ZB-2551-PA	1 × RS-232 1 × RS-485	Slave	22 ~ 24 dBm	2.4GHz - 5dBi Omni-Directional antenna	700 m (Typical) 1 km (Max.)	5-2-1
ZB-2570-T	1 × RS-232 1 × RS-485 1 × Ethernet	Host	3 ~ 4 dBm	2.4GHz - 3dBi Omni-Directional antenna	100 m	5-2-4
ZB-2570-PA	1 × RS-232 1 × RS-485 1 × Ethernet	Host	22 ~ 24 dBm	2.4GHz - 5dBi Omni-Directional antenna	700 m (Typical) 1 km (Max.)	5-2-4
ZB-2571-T	1 × RS-232 1 × RS-485 1 × Ethernet	Slave	3 ~ 4 dBm	2.4GHz - 3dBi Omni-Directional antenna	100 m	5-2-4
ZB-2571-PA	1 × RS-232 1 × RS-485 1 × Ethernet	Slave	22 ~ 24 dBm	2.4GHz - 5dBi Omni-Directional antenna	700 m (Typical) 1 km (Max.)	5-2-4

• ZigBee I/O Selection Guide



ICP DAS provides various ZigBee I/O modules. Each module has standard 4 kV ESD protection and 3000/3750 V_{DC} intra-module isolation. Users can easily configure the module address, Protocol, Checksum, ZB-PID, ZB-ch and type code by rotary and DIP switch.

Model Name	Protocol	Input Channel	Output Channel	Transmit Power	Antenna	Distance (LOS)	Page
ZB-2015-T	DCON Modbus RTU	6 × AI	-	4 dBm	2.4GHz - 3dBi Omni-Directional antenna	100 M	5-3-1
ZB-2018-T	DCON Modbus RTU	8 × AI	-	4 dBm	2.4GHz - 3dBi Omni-Directional antenna	100 M	5-3-3
ZB-2052-T	DCON Modbus RTU	8 × DI	-	4 dBm	2.4GHz - 3dBi Omni-Directional antenna	100 M	5-3-5
ZB-2053-T	DCON Modbus RTU	14 × DI	-	4 dBm	2.4GHz - 3dBi Omni-Directional antenna	100 M	5-3-7
ZB-2060-T	DCON Modbus RTU	6 × DI	4 × Relay Out	4 dBm	2.4GHz - 3dBi Omni-Directional antenna	100 M	5-3-9

5.2. ZigBee Converters



Features

- ISM 2.4 GHz Operating Frequency
- Fully Compliant with 2.4 G IEEE802.15.4/ZigBee Specifications
- Wireless transmission Range up to 100 m (ZB-2550-T/ZB-2550-PA/ZB-2551-T/ZB-2551-PA)
- Wireless Transmission Range up to 700 m (ZB-2550-PA/ZB-2551-PA)
- GUI Configuration Software (Windows Version)
- DIN-Rail Mountable



Introduction

The ZB-2550 and ZB-2551 series are small-sized wireless ZigBee converters based on the IEEE 802.15.4 standard. The converters allow the devices which have RS-485/RS-232 interfaces, to transfer and transmit the data to a ZigBee wireless network.

Only one ZB-2550-T series (host) is allowed in a ZigBee network and used to initialize and manage the data transmission routes. The ZB-2551-T series (slave) ZigBee router is responsible for transmitting/receiving data from its child/parent router or the host. ICP DAS ZigBee products are designed for low data rates. The main benefit of ICP DAS ZigBee products is that they can be used to define a general-purpose, self-organizing mesh network, which can be highly advantageous for industrial control.

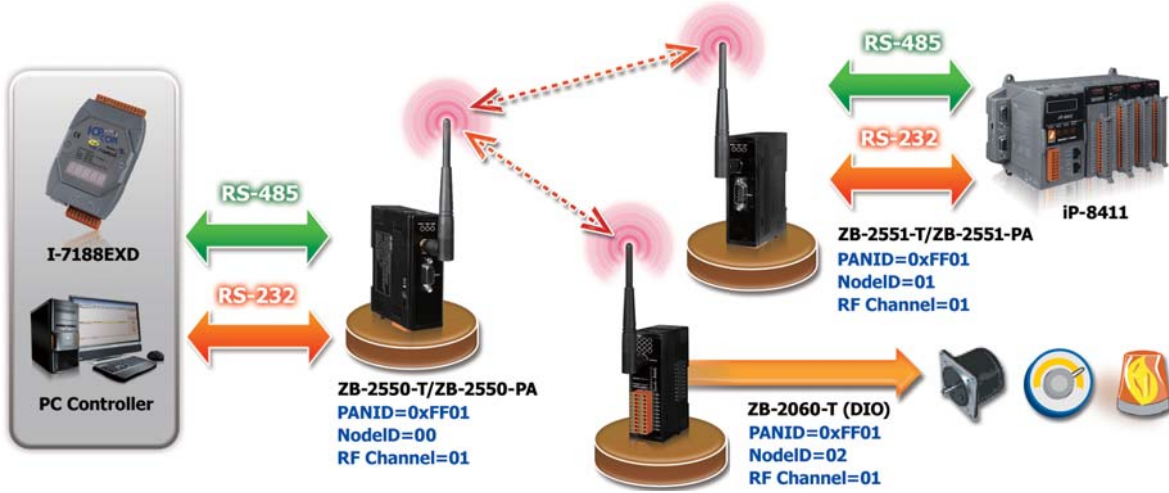
The typical transmission range of the ICP DAS ZigBee ZB-2550-T/ZB-2551-T converter is 100m, and 700m for the ZB-2550-PA/ZB-2551-PA.

Specifications

Models	ZB-2550-T	ZB-2550-PA	ZB-2551-T	ZB-2551-PA
ZigBee Module				
RF Channels	16			
Receiving Sensitivity	-102 dBm			
Transmit Power	3 ~ 4 dBm	22 ~ 24 dBm	3 ~ 4 dBm	22 ~ 24 dBm
Network Topology	Star, Mesh and Cluster tree			
Antenna (Omni-Directional antenna)	2.4 GHz – 3 dBi	2.4 GHz – 5 dBi	2.4 GHz – 3 dBi	2.4 GHz – 5 dBi
Transmission Range	100 m	700 m	100 m	700 m
General				
Module Type	Host		Slave	
Communication Interface				
COM 0	D-Sub 9 Female Non-isolated ; RS-232 (TxD, RxD, GND); RS-485 (DATA+, DATA-;internal self-tuner ASIC)		D-Sub 9 Male Non-isolated; RS-232 (TxD, RxD, GND); RS-485 (DATA+, DATA-;internal self-tuner ASIC)	
Baud Rate	1200 ~ 115200 bps			
LED Indicators				
ZigBee Net State	Green			
ZigBee Rx/D	Yellow			
Power	Red			
Power				
Protection	Power reverse polarity protection			
EMS Protection	ESD, Surge, EFT			
Required Supply Voltage	+10 V _{DC} ~ +30 V _{DC}			
Power Consumption	0.5 W	2.0 W (max.)	0.5 W	2.0 W (max.)
Connector	5-Pin 5.08 mm Removable Terminal Block			
Mechanical				
Casing	Plastic			
Flammability	UL 94V-0 fire-retardant materials			
Dimensions (W x L x H)	33 mm x 107 mm x 78mm			
Installation	DIN-Rail			

Models	ZB-2550-T	ZB-2550-PA	ZB-2551-T	ZB-2551-PA
Environment				
Operating Temperature	-25 °C ~ +75 °C			
Storage Temperature	-40 °C ~ +80 °C			
Relative Humidity	5% ~ 90% RH, Non-condensing			

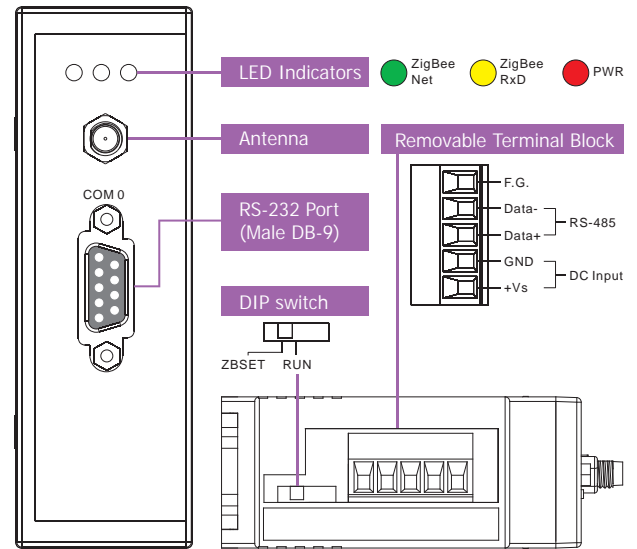
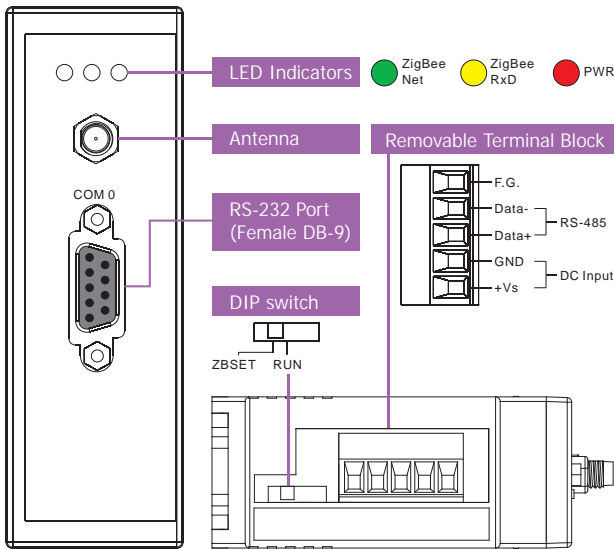
Applications



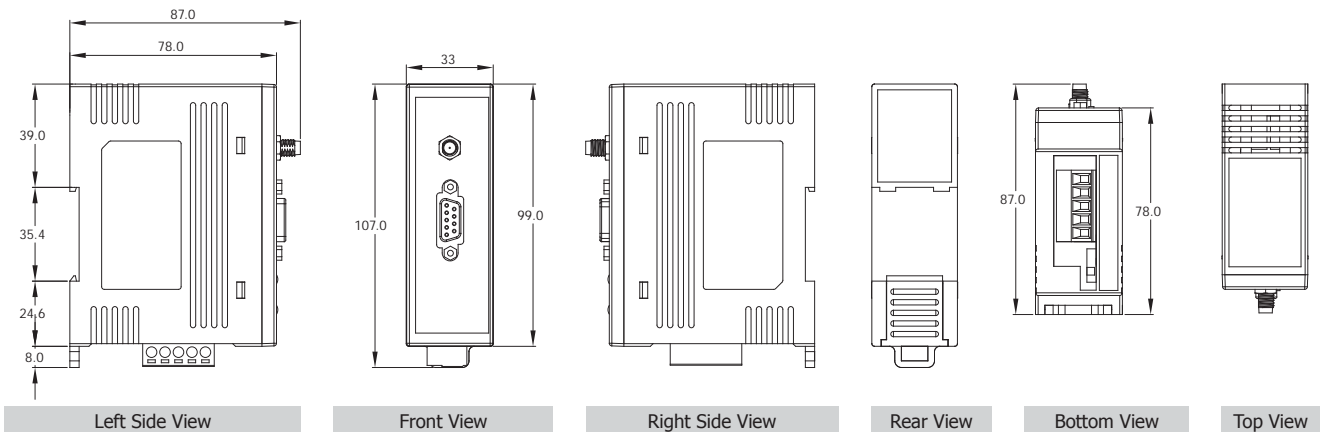
Appearance

ZB-2550-T/2550-PA

ZB-2551-T/2551-PA

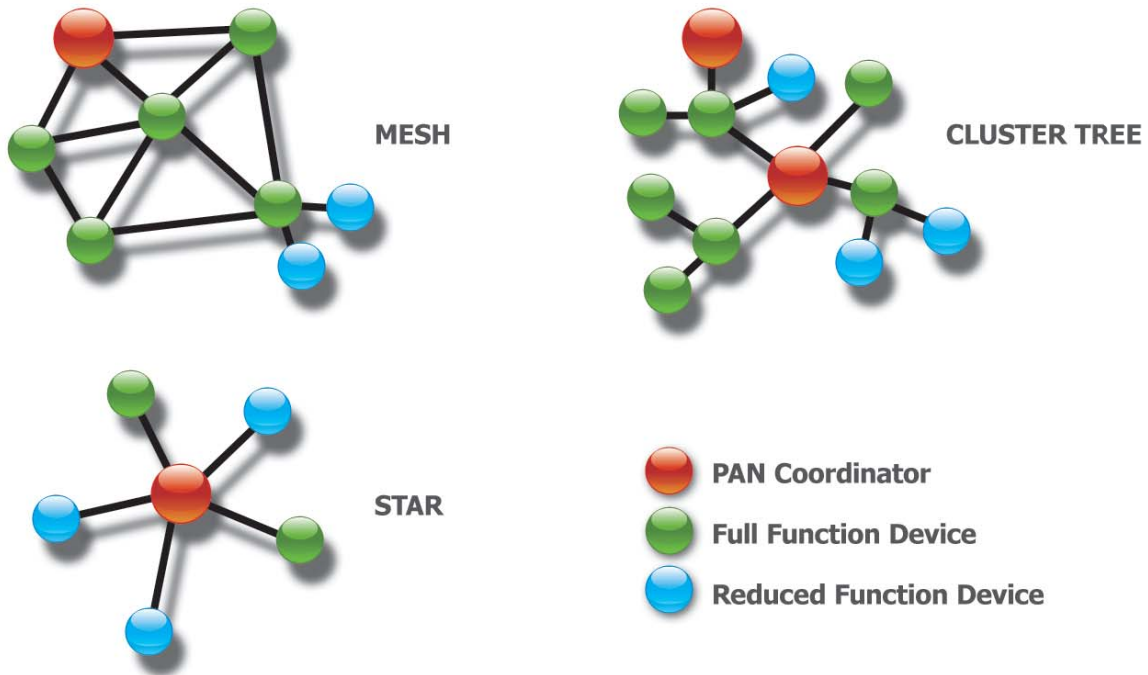


Dimensions (Units: mm)



Operation Mode

There are three topologies defined in the IEEE 802.15.4 standard, Star, Cluster Tree and Mesh.



Ordering Information

ZB-2550-T CR	RS-485/RS-232 to ZigBee Converter (Host) (RoHS)
ZB-2550-T/S CR	RS-485/RS-232 to ZigBee Converter (Host) (RoHS) + GPSU06U-6 (Power Supply)
ZB-2550-PA CR	RS-485/RS-232 to High Power Amplifier ZigBee Converter (Host) (RoHS)
ZB-2550-PA/S CR	RS-485/RS-232 to High Power Amplifier ZigBee Converter (Host) (RoHS) + GPSU06U-6 (Power Supply)
ZB-2551-T CR	RS-485/RS-232 to ZigBee Converter (Slave) (RoHS)
ZB-2551-T/S CR	RS-485/RS-232 to ZigBee Converter (Slave) (RoHS) + GPSU06U-6 (Power Supply)
ZB-2551-PA CR	RS-485/RS-232 to High Power Amplifier ZigBee Converter (Slave) (RoHS)
ZB-2551-PA/S CR	RS-485/RS-232 to High Power Amplifier ZigBee Converter (Slave) (RoHS) + GPSU06U-6 (Power Supply)

Accessories

ZB-2570-T CR	Ethernet/RS-485/RS-232 to ZigBee Converter (Host) (RoHS)
ZB-2571-T CR	Ethernet/RS-485/RS-232 to ZigBee Converter (Slave) (RoHS)
ZB-2570-PA CR	Ethernet/RS-485/RS-232 to High Power Amplifier ZigBee Converter (Host) (RoHS)
ZB-2571-PA CR	Ethernet/RS-485/RS-232 to High Power Amplifier ZigBee Converter (Slave) (RoHS)
ZB-2510-T CR	ZigBee Repeater (RoHS)
ZB-2510-PA CR	High Power Amplifier ZigBee Repeater (RoHS)



Features

- ISM 2.4 GHz Operating Frequency
- Fully Compliant with 2.4 G IEEE802.15.4/ZigBee Specifications
- Wireless transmission range up to 100 m (ZB-2570-T/ZB-2571-T)
- Wireless Transmission Range up to 700 m (ZB-2570-PA/ZB-2571-PA)
- Topologies Supported: Star, Cluster Tree, and Mesh
- GUI Configuration Software (Windows Version)
- DIN-Rail Mountable



Introduction

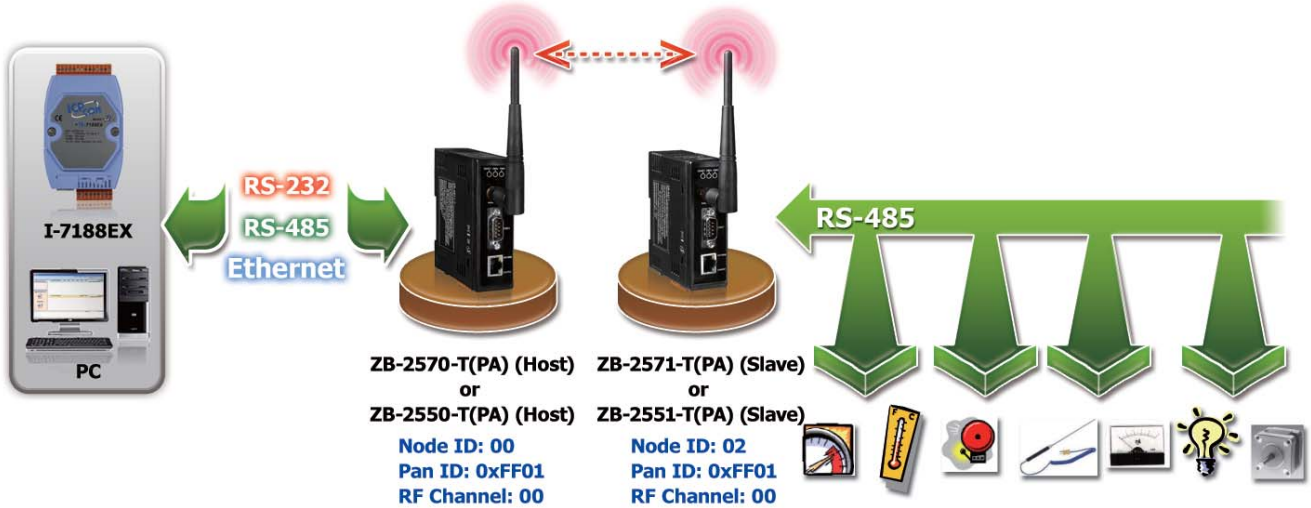
The ZB-2570 series is a host ZigBee converter, and the ZB-2571 series is a slave ZigBee converter. Each features an Ethernet/RS-485/RS-232 interface. Devices that have an Ethernet/RS-485/RS-232 interface are also able to be connected using the ZB-2570 and ZB-2571 series. By distributing host and slave ZigBee converters in the field, users can easily build a wireless network for monitoring and control.

ZigBee is based on the IEEE 802.15.4 standard for wireless personal area networks (WPANs). It is aiming at applications that require secure networking as well as high flexibility for network expansion anytime. It is also widely used in the industrial control field, hospitals, labs and building automation.

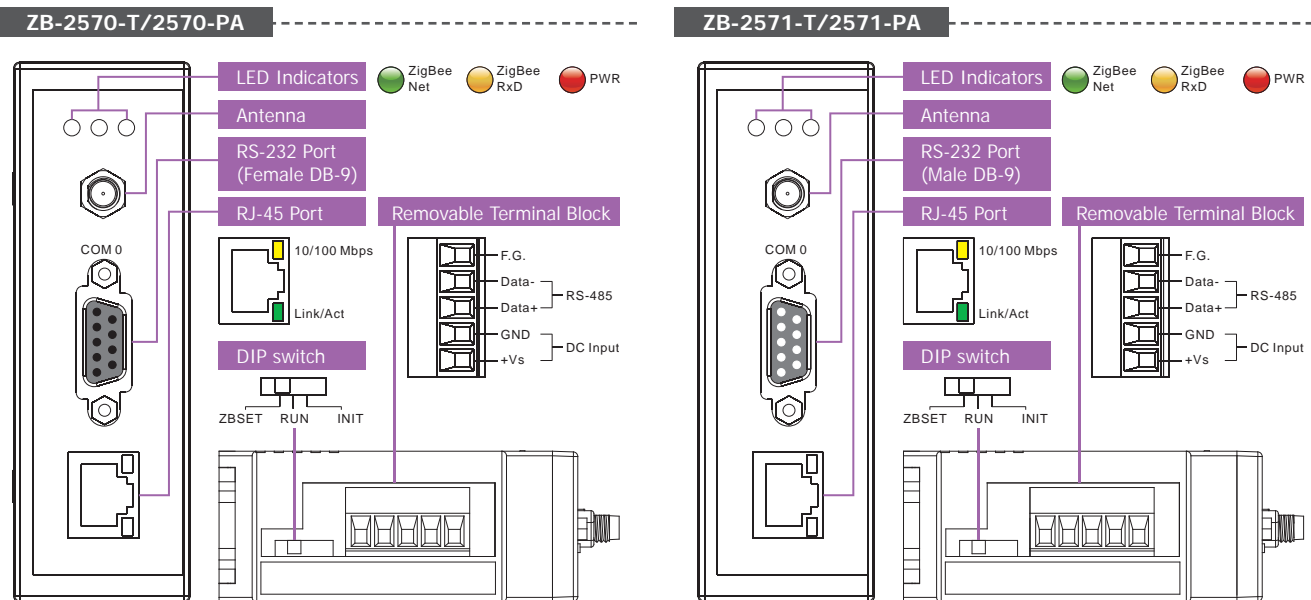
Specifications

Models	ZB-2570-T	ZB-2570-PA	ZB-2571-T	ZB-2571-PA
ZigBee Module				
RF Channels	16			
Receiving Sensitivity	-102 dBm			
Transmit Power	4 dBm	22 dBm	4 dBm	22 dBm
Network Topology	Star, Mesh and Cluster tree			
Antenna (Omni-Directional)	2.4 GHz – 3 dBi	2.4 GHz – 5 dBi	2.4 GHz – 3 dBi	2.4 GHz – 5 dBi
Transmission Range	100 m	700 m	100 m	700 m
General				
Module Type	Host		Slave	
Communication Interface				
COM 0	D-Sub 9 Female Non-isolated ; RS-232 (TxD, RxD, GND); RS-485 (DATA+, DATA-;internal self-tuner ASIC)		D-Sub 9 Male Non-isolated; RS-232 (TxD, RxD, GND); RS-485 (DATA+, DATA-;internal self-tuner ASIC)	
Ethernet	10/100 Base-TX (Auto-negotiating, auto MDI/MDI-X, LED indicators)			
LED Indicators				
ZigBee Net State	Green			
ZigBee RxD	Yellow			
Power	Red			
Power				
Protection	Power reverse polarity protection			
EMS Protection	ESD, Surge, EFT			
Required Supply Voltage	+10 V _{DC} ~ +30 V _{DC}			
Power Consumption	2.5 W	4 W (max.)	2.5 W	4 W (max.)
Connection	5-Pin 5.08 mm Removable Terminal Block			
Mechanical				
Casing	Plastic			
Flammability	UL 94V-0 fire-retardant materials			
Dimensions (W x L x H)	33 mm x 107 mm x 78mm			
Installation	DIN-Rail			
Environment				
Operating Temperature	-25 °C ~ +75 °C			
Storage Temperature	-40 °C ~ +80 °C			
Relative Humidity	5% ~ 90% RH, Non-condensing			

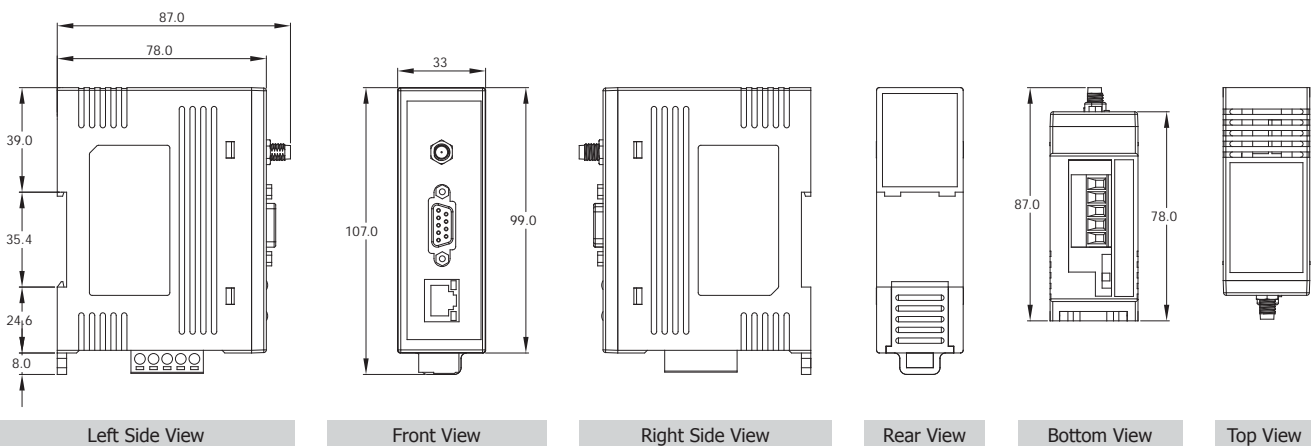
Applications



Appearance



Dimensions (Units: mm)



Ordering Information

ZB-2570-T CR	Ethernet/RS-485/RS-232 to ZigBee Converter (Host) (RoHS)
ZB-2570-T/S CR	Ethernet/RS-485/RS-232 to ZigBee Converter (Host) (RoHS) + GPSU06U-6 (Power Supply)
ZB-2570-PA CR	Ethernet/RS-485/RS-232 to High Power Amplifier ZigBee Converter (Host) (RoHS)
ZB-2570-PA/S CR	Ethernet/RS-485/RS-232 to High Power Amplifier ZigBee Converter (Host) (RoHS) + GPSU06U-6 (Power Supply)
ZB-2571-T CR	Ethernet/RS-485/RS-232 to ZigBee Converter (Slave) (RoHS)
ZB-2571-T/S CR	Ethernet/RS-485/RS-232 to ZigBee Converter (Slave) (RoHS) + GPSU06U-6 (Power Supply)
ZB-2571-PA CR	Ethernet/RS-485/RS-232 to High Power Amplifier ZigBee Converter (Slave) (RoHS)
ZB-2571-PA/S CR	Ethernet/RS-485/RS-232 to High Power Amplifier ZigBee Converter (Slave) (RoHS) + GPSU06U-6 (Power Supply)

Accessories

ZB-2550-T CR	RS-485/RS-232 to ZigBee Converter (Host) (RoHS)
ZB-2551-T CR	RS-485/RS-232 to ZigBee Converter (Slave) (RoHS)
ZB-2550-PA CR	RS-485/RS-232 to High Power Amplifier ZigBee Converter (Host) (RoHS)
ZB-2551-PA CR	RS-485/RS-232 to High Power Amplifier ZigBee Converter (Slave) (RoHS)
ZB-2510-T CR	ZigBee Repeater (RoHS)
ZB-2510-PA CR	High Power Amplifier ZigBee Repeater (RoHS)

5.3. ZigBee I/O Modules



Introduction

The ZB-2015-T offers 6 channels, each of which could be connected with different kinds of RTD. It features automatic compensation for 3-wire RTD with long-distance measurement so that it can measure right regardless of the length of wires. Also, ZB-2015-T is fully RoHS-compliant and has qualification for 4 kV ESD protection as well as 3000 V_{dc} intra-module isolation. Users can easily configure the module address, Protocol, Checksum, ZB-PID, ZB-ch and type code by rotary and DIP switch.

I/O Specifications

Analog Input	
Input Channel	6
Input Type	2/3-wire RTD
RTD Type	Pt100, Pt1000, Ni120, Cu100, Cu1000
Resolution	16-bit
Sampling Rate	12 Sample/Sec. (Total)
Accuracy	+/-0.05%
Zero Drift	+/-0.5 μ V/ $^{\circ}$ C
Span Drift	+/-20 μ V/ $^{\circ}$ C
Common Mode Rejection	150 dB
Normal Mode Rejection	100 dB
Open Wire Detection	Yes
Overvoltage Protection	120 V _{bc} /110 V _{ac}
Individual Channel Configurable	Yes
3-wire RTD Lead Resistance Elimination	Yes
ESD Protection	+/-4 kV Contact for Each Channel and +/-8 kV Air for random point
Intra-module Isolated, Field-to-Logic	3000 V _{dc}

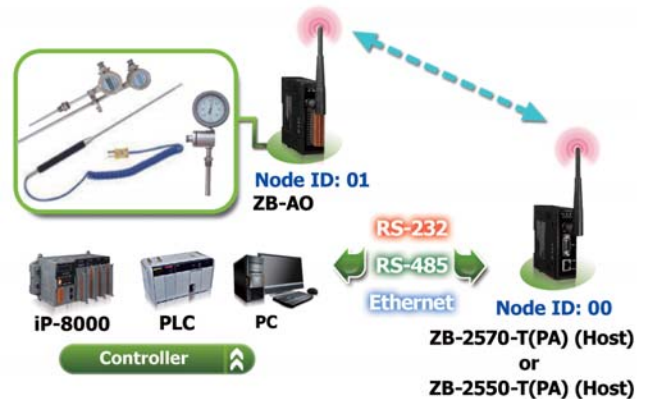
Features

- ISM 2.4 GHz Operating Frequency
- Fully Compliant 2.4 G IEEE802.15.4/ZigBee Specifications
- Wireless Transmission Range up to 700 m (PA-Version)
- Wireless Transmission Range up to 100 m (None/T-Version)
- GUI Configuration Software (Windows Version)
- 3-wire RTD Input with Lead Resistance Elimination
- Individual Channel Configuration
- Open Wire Detection
- Overvoltage Protection
- DIN-Rail Mounting



Applications

Building Automation, Factory Automation, Machine Automation, Remote Maintenance, Remote diagnosis, Testing Equipment.



System Specifications

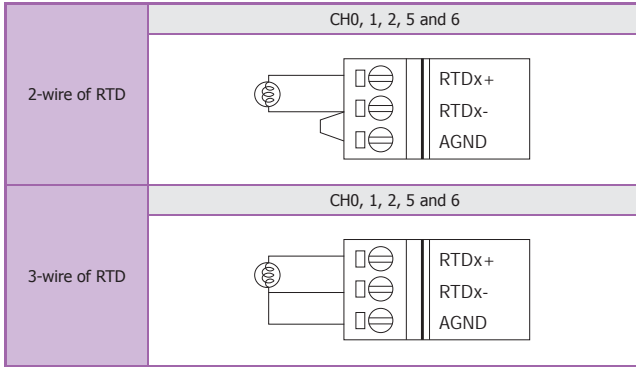
Communication Interface	
Wireless	ZigBee, IEEE 802.15.4 Standard
Antenna	2.4 GHz-3 dBi Omni-Directional antenna
Protocols	Supports DCON and Modbus RTU Protocols
Hot Swap	By Rotary and DIP switch
LED Indicators	
Power	1 LED, red
ZigBee Communication	1 LED, green
Power	
Power Consumption	1.5 W max.
Mechanical	
Flammability	Fire Retardant Materials (UL94-V0 Level)
Dimensions (W x L x H)	33 mm x 87 mm x 107 mm
Installation	DIN-Rail
Environment	
Operating Temperature	-25 $^{\circ}$ C ~ +75 $^{\circ}$ C
Storage Temperature	-30 $^{\circ}$ C ~ +80 $^{\circ}$ C
Humidity	10% ~ 90% RH, Non-condensing

RTD Type Setting (TT)

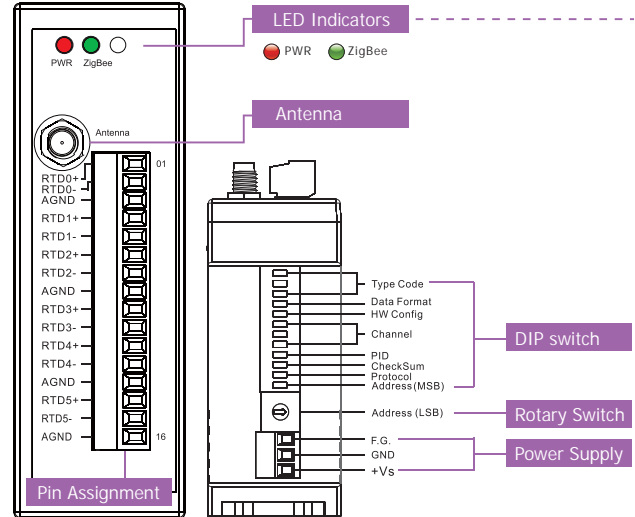
Type Cod	RTD Type	Temperature Range
20	Platinum 100, $\alpha=0.00385$	-100 °C ~ +100 °C
21	Platinum 100, $\alpha= 0.00385$	0 °C ~ +100 °C
22	Platinum 100, $\alpha= 0.00385$	0 °C ~ +200 °C
23	Platinum 100, $\alpha= 0.00385$	0 °C ~ +600 °C
24	Platinum 100, $\alpha= 0.003916$	-100 °C ~ +100 °C
25	Platinum 100, $\alpha= 0.003916$	0 °C ~ +100 °C
26	Platinum 100, $\alpha= 0.003916$	0 °C ~ +200 °C
27	Platinum 100, $\alpha= 0.003916$	0 °C ~ +600 °C

Type Cod	RTD Type	Temperature Range
28	Nickel 120	-80 °C ~ +100 °C
29	Nickel 120	0 °C ~ +100 °C
2A	Platinum 1000, $\alpha= 0.00385$	-200 °C ~ +600 °C
2E	PT 100, $\alpha= 0.00385$	-200 °C ~ +200 °C
2F	PT 100, $\alpha= 0.003916$	-200 °C ~ +200 °C
80	PT 100, $\alpha= 0.00385$	-200 °C ~ +600 °C
81	PT 100, $\alpha= 0.003916$	-200 °C ~ +600 °C

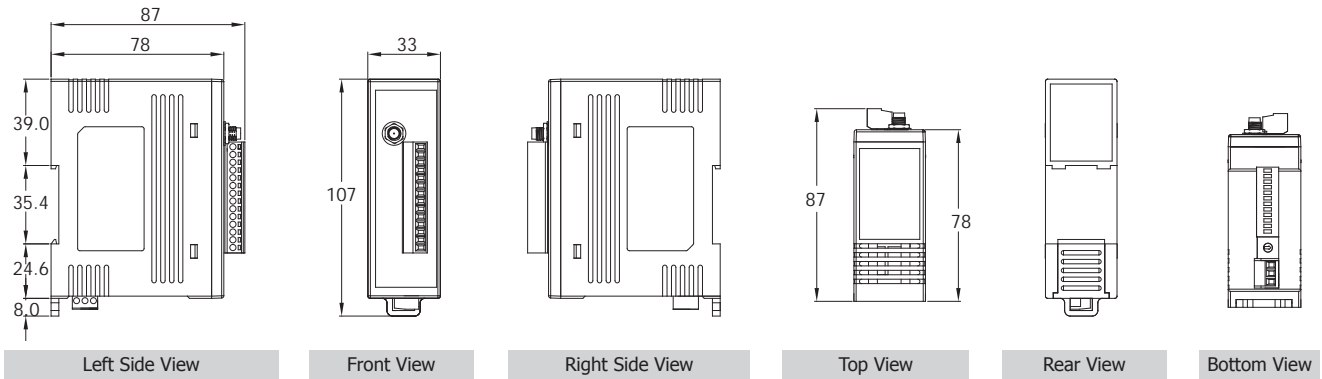
Wiring



Appearance



Dimensions (Units: mm)



Ordering Information

ZB-2015-T CR	Wireless 6-ch RTD Input Module with 3-wire RTD Lead Resistance Elimination (RoHS)
<p>Important Note:The Zigbee Data Acquisition modules need a Zigbee host converter to coordinate the data transmission route. Please remember to order a ZB-2550, ZB-2550-T, ZB-2550PA, ZB-2570, ZB-2570-T or ZB-2570PA ZigBee host converter when you purchase the Zigbee Data Acquisition products.</p>	

Accessories

MDR-20-24	24 Vdc/1.0 A, 24 W Power Supply with DIN-Rail Mounting
ZB-2510-T CR	ZigBee Repeater (RoHS)
ZB-2510-PA CR	High Power Amplifier ZigBee Repeater (RoHS)
ZB-2550-T CR	RS-485/RS-232 to ZigBee Converter (Host) (RoHS)
ZB-2550-PA CR	RS-485/RS-232 to High Power Amplifier ZigBee Converter (Host) (RoHS)
ZB-2570-T CR	Ethernet/RS-485/RS-232 to ZigBee Converter (Host) (RoHS)
ZB-2570-PA CR	Ethernet/RS-485/RS-232 to High Power Amplifier ZigBee Converter (Host) (RoHS)



Features

- ISM 2.4 GHz Operating Frequency
- Fully Compliant 2.4 G IEEE802.15.4/ZigBee Specifications
- Wireless Transmission Range up to 700 m (PA-Version)
- Wireless Transmission Range up to 100 m (None/T-Version)
- GUI Configuration Software (Windows Version)
- 8 Differential AI (TC, mV, V)
- Individual Channel Configuration
- Open Thermocouple Detection
- Overvoltage Protection is up to 240 V_{rms}
- DIN-Rail Mounting

Introduction

The ZB-2018-T is an analog input module with an extremely excellent protection mechanism where overvoltage protection is up to 240 V_{rms}. Its input type includes current, voltage as well as thermocouple. It is much more suitable for critically harsh environment! Moreover, a newly-added feature for open thermocouple detection makes ZB-2018-T more sweet than ever. ZB-2018-T also has qualification for 4 kV ESD protection and 3000 Vdc intra-module isolation. Users can easily configure the module address, Protocol, Checksum, ZB-PID, ZB-ch and type code by rotary and DIP switch.

I/O Specifications

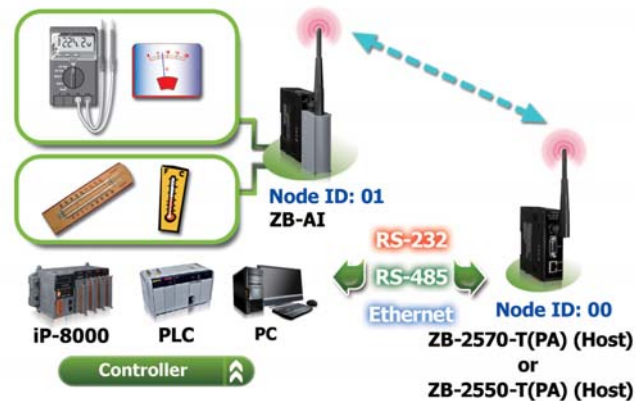
Analog Input	
Input Channel	8 Differential
Input Type	+/-15 mV, +/-50 mV, +/-100 mV, +/-500 mV, +/-1V, +/-2.5V, +/-20 mA, 0 ~ 20 mA, 4 ~ 20 mA (Requires Optional External 125 Ω Resistor). Thermocouple (J, K, T, E, R, S, B, N, C, L, M, LDIN43710)
Resolution	16-bit
Sampling Rate	10 Samples/Sec. (Total)
Accuracy	+/-0.1% of FSR
-3dB Bandwidth	15.7 Hz
Zero Drift	+/-10 μV/°C
Span Drift	+/-25 ppm/°C
Common Mode Rejection	86 dB min.
Normal Mode Rejection	100 dB
Input Impedance	>400 kΩ
Open Thermocouple Detection	Yes
Overvoltage Protection	240 V _{rms}
Intra-module Isolated, Field-to-Logic	3000 V _{dc}
ESD Protection	+/-4 kV Contact for Each Channel

Thermocouple Type

Type Cod	Temperature Range	Type Cod	Temperature Range
J	-210 °C ~ +760 °C	B	0 °C ~ +1820 °C
K	-270 °C ~ +1372 °C	N	-270 °C ~ +1300 °C
T	-270 °C ~ +400 °C	C	0 °C ~ +2320 °C
E	-270 °C ~ +1000 °C	L	-200 °C ~ +800 °C
R	0 °C ~ +1768 °C	M	-200 °C ~ +100 °C
S	0 °C ~ +1768 °C	L2 (DIN43710)	-200 °C ~ +900 °C

Applications

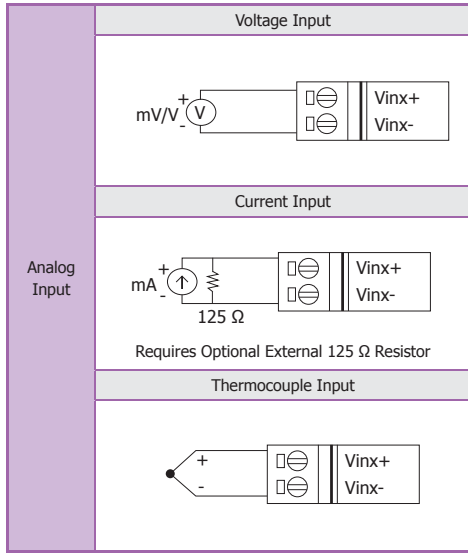
Building Automation, Factory Automation, Machine Automation, Remote Maintenance, Remote diagnosis, Testing Equipment.



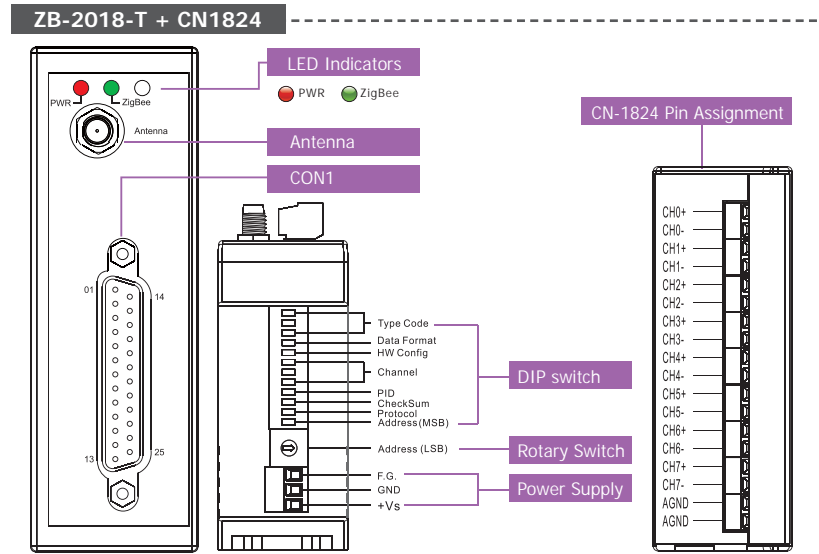
System Specifications

Communication Interface	
Wireless	ZigBee, IEEE 802.15.4 Standard
Antenna	2.4 GHz-3 dBi Omni-Directional antenna
Protocols	Supports DCON and Modbus RTU Protocols
Hot Swap	By Rotary and DIP switch
LED Indicators	
Power	1 LED, red
ZigBee Communication	1 LED, green
Power	
Power Consumption	0.88 W max.
Mechanical	
Flammability	Fire Retardant Materials (UL94-V0 Level)
Dimensions (W x L x H)	33 mm x 87 mm x 107 mm
Installation	DIN-Rail
Environment	
Operating Temperature	-25 °C ~ +75 °C
Storage Temperature	-30 °C ~ +80 °C
Humidity	10% ~ 90% RH, Non-condensing

Wiring

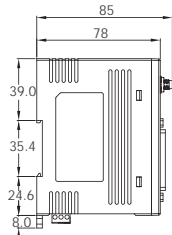


Appearance

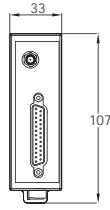


Dimensions (Units: mm)

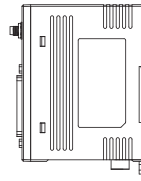
ZB-2018-T



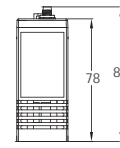
Left Side View



Front View



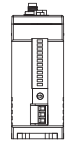
Right Side View



Top View

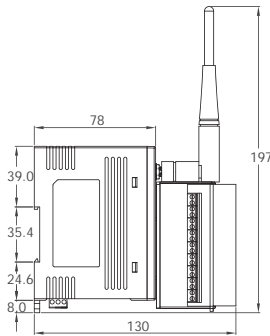


Rear View

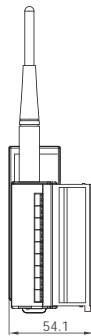


Bottom View

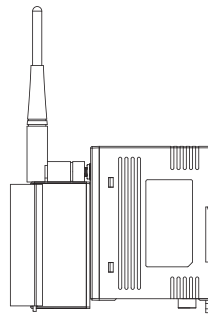
ZB-2018-T + CN1824



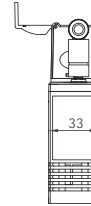
Left Side View



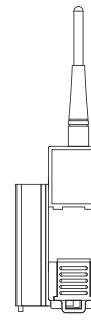
Front View



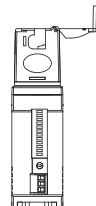
Right Side View



Top View



Rear View



Bottom View

Ordering Information

ZB-2018-T CR

Wireless 8-ch Analog Input Module with High Voltage Protection (RoHS)

Important Note: The ZigBee Data Acquisition modules need a ZigBee host converter to coordinate the data transmission route. Please remember to order a ZB-2550, ZB-2550-T, ZB-2550PA, ZB-2570, ZB-2570-T or ZB-2570PA ZigBee host converter when you purchase the ZigBee Data Acquisition products.

Accessories

MDR-20-24	24 Vdc/1.0 A, 24 W Power Supply with DIN-Rail Mounting
ZB-2510-T CR	ZigBee Repeater (RoHS)
ZB-2510-PA CR	High Power Amplifier ZigBee Repeater (RoHS)
ZB-2550-T CR	RS-485/RS-232 to ZigBee Converter (Host) (RoHS)
ZB-2550-PA CR	RS-485/RS-232 to High Power Amplifier ZigBee Converter (Host) (RoHS)
ZB-2570-T CR	Ethernet/RS-485/RS-232 to ZigBee Converter (Host) (RoHS)
ZB-2570-PA CR	Ethernet/RS-485/RS-232 to High Power Amplifier ZigBee Converter (Host) (RoHS)



ZB-2052-T

Wireless 8-ch Isolated Digital Input Module with 16-bit Counters

Features

- ISM 2.4 GHz Operating Frequency
- Fully Compliant 2.4 G IEEE802.15.4/ZigBee Specifications
- Wireless Transmission Range up to 700 m (PA-Version)
- Wireless Transmission Range up to 100 M (None/T-Version)
- GUI Configuration Software (Windows Version)
- 8 Digital Input for Wet Contact
- Supports 16-bit Counters for Digital Inputs
- Surge and ESD Protection
- DIN-Rail Mounting

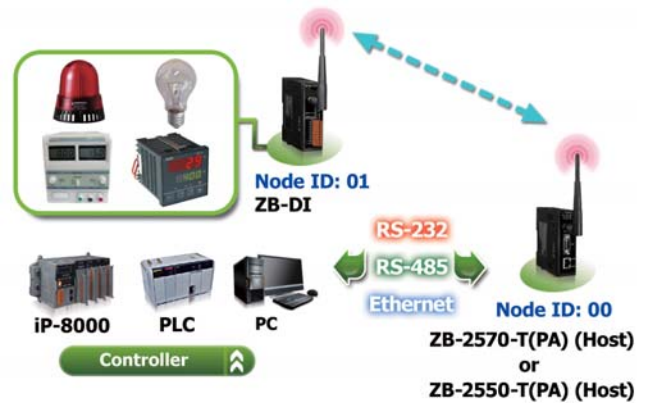


Introduction

The ZB-2052-T offers 8-ch for digital input, each of which features photo couple isolation. Moreover, you can choose sink type or source type input by wire connections. All channels can be used as 16-bit counters. ZB-2052-T not only has 8 LED indicators for channel status but also gets qualification for 4 kV ESD protection and 3000 V_{DC} intra-module isolation. Users can be easy to configure the module address, Protocol, Checksum, ZB-PID and ZB-ch by rotary and DIP switch.

Applications

Building Automation, Factory Automation, Machine Automation, Remote Maintenance, Remote diagnosis, Testing Equipment.



I/O Specifications

Digital Input	
Input Channel	8
Wet Contact (Sink/Source)	On Voltage Level: +3.5 V _{DC} ~ +30 V _{DC}
	Off Voltage Level: +1 V _{DC} max.
Input Impedance	3 kΩ, 0.33 W
Counter	Channels: 8
	Max. Counts: 16-bit (65535)
	Max. Input Frequency: 100 Hz
	Min. Pulse Width: 5 ms
Intra-module Isolated, Field-to-Logic	3750 V _{rms}
ESD Protection	+/-4 kV Contact for Each Channel

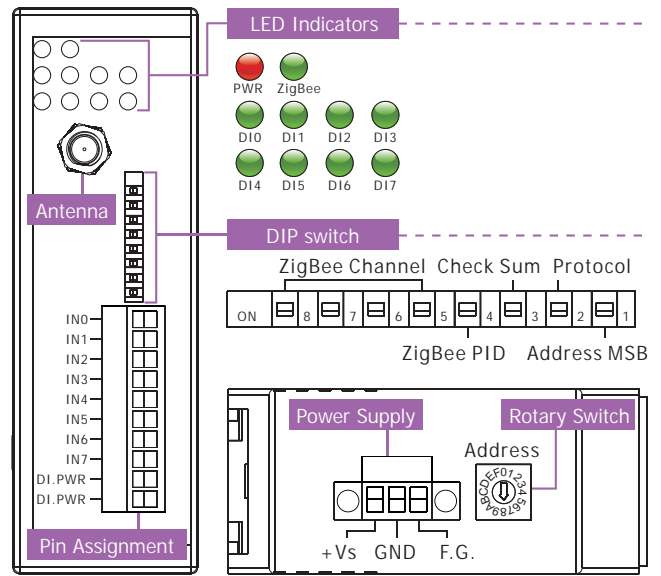
System Specifications

Communication Interface	
Wireless	ZigBee, IEEE 802.15.4 Standard
Antenna	2.4 GHz-3 dBi Omni-Directional antenna
Protocols	Supports DCON and Modbus RTU Protocols
Hot Swap	By Rotary and DIP switch
LED Indicators	
Power	1 LED, red
ZigBee Communication	1 LED, green
Digital Input	8 LEDs, green
Power	
Power Consumption	1 W max.
Mechanical	
Flammability	Fire Retardant Materials (UL94-V0 Level)
Dimensions (W x L x H)	33 mm x 87 mm x 107 mm
Installation	DIN-Rail
Environment	
Operating Temperature	-25 °C ~ +75 °C
Storage Temperature	-30 °C ~ +80 °C
Humidity	10% ~ 90% RH, Non-condensing

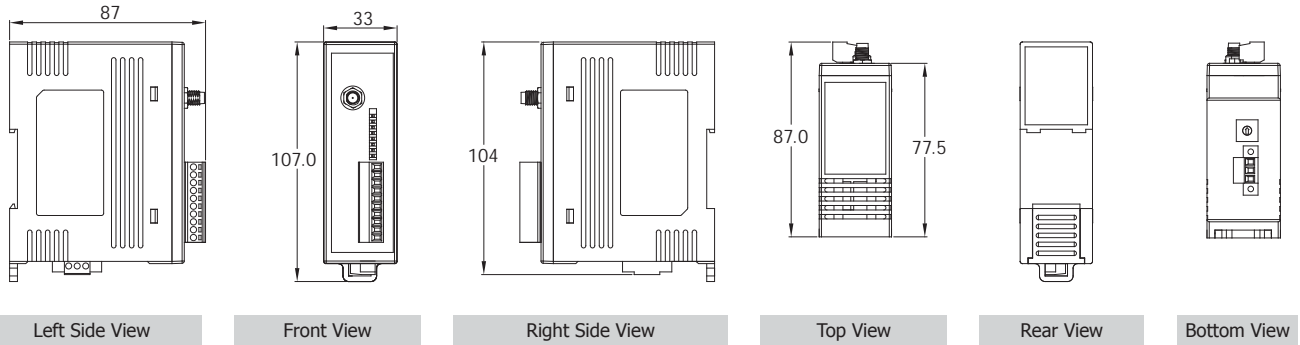
Wiring

Input Type	ON State LED ON Readback as 1	OFF State LED OFF Readback as 0
	Voltage > 3.5V	Voltage < 1V
TTL/ CMOS Logic		
	Relay ON	Relay OFF
Relay Contact		
	Open Collector ON	Open Collector OFF
Open Collector		

Appearance



Dimensions (Units: mm)



Ordering Information

ZB-2052-T CR	Wireless 8-ch Isolated Digital Input Module with 16-bit Counters (RoHS)
<p>Important Note:The ZigBee Data Acquisition modules need a ZigBee host converter to coordinate the data transmission route. Please remember to order a ZB-2550, ZB-2550-T, ZB-2550PA, ZB-2570, ZB-2570-T or ZB-2570PA ZigBee host converter when you purchase the ZigBee Data Acquisition products.</p>	

Accessories

MDR-20-24	24 Vdc/1.0 A, 24 W Power Supply with DIN-Rail Mounting
ZB-2510-T CR	ZigBee Repeater (RoHS)
ZB-2510-PA CR	High Power Amplifier ZigBee Repeater (RoHS)
ZB-2550-T CR	RS-485/RS-232 to ZigBee Converter (Host) (RoHS)
ZB-2550-PA CR	RS-485/RS-232 to High Power Amplifier ZigBee Converter (Host) (RoHS)
ZB-2570-T CR	Ethernet/RS-485/RS-232 to ZigBee Converter (Host) (RoHS)
ZB-2570-PA CR	Ethernet/RS-485/RS-232 to High Power Amplifier ZigBee Converter (Host) (RoHS)



Features

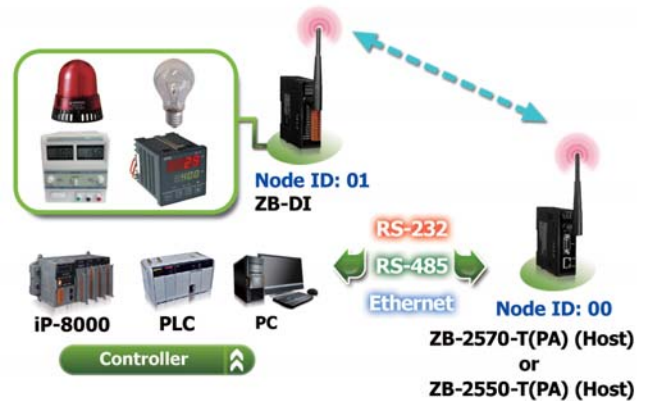
- ISM 2.4 GHz Operating Frequency
- Fully Compliant 2.4 G IEEE802.15.4/ZigBee Specifications
- Wireless Transmission Range up to 700 m (PA-Version)
- Wireless Transmission Range up to 100 m (None/T-Version)
- GUI Configuration Software (Windows Version)
- 14 Digital Input for Dry Contact and Wet Contact
- Supports 16-bit Counters for Digital Inputs
- Surge and ESD Protection
- DIN-Rail Mounting

Introduction

The ZB-2053-T offers 14-ch for digital input which cover dry contact and wet contact as well. Its effective distance for dry contact is up to 500 meters. All of its channels are not only with isolation but also able to be used as counter. ZB-2053-T has 14 LED indicators for channel status as well as qualification for 4 kV ESD protection and 3750 V_{rms} intra-module isolation. Users can easily configure the module address, Protocol, Checksum, ZB-PID and ZB-ch by rotary and DIP switch.

Applications

Building Automation, Factory Automation, Machine Automation, Remote Maintenance, Remote diagnosis, Testing Equipment.



I/O Specifications

Digital Input	
Input Channel	14
Dry Contact (Sink)	On Voltage Level: Close to GND
	Off Voltage Level: Open
	Effective Distance for Dry Contact: 500 m max.
Wet Contact (Sink/Source)	On Voltage Level: +3.5 V _{DC} ~ +30 V _{DC}
	Off Voltage Level: +1 V _{DC} max.
Input Impedance	3 kΩ, 0.33 W
Counter	Channels: 14
	Max. Counts: 16-bit (65535)
	Max. Input Frequency: 100 Hz
	Min. Pulse Width: 5 ms
Intra-module Isolated, Field-to-Logic	3750 V _{DC}
ESD Protection	+/-4 kV Contact for Each Channel

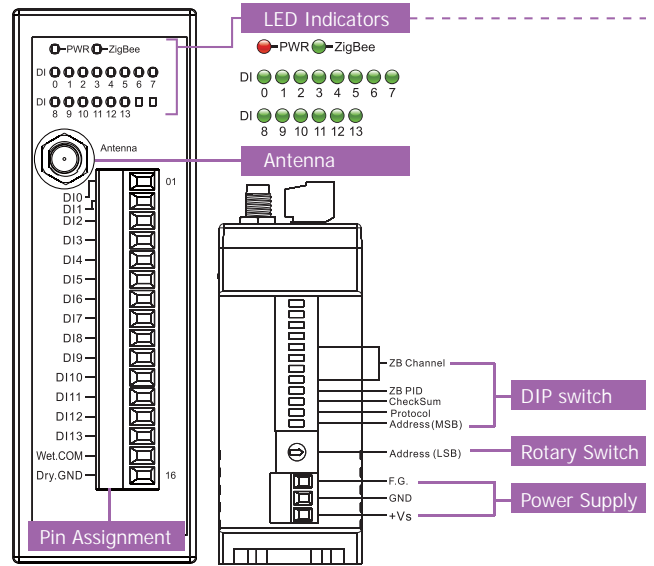
System Specifications

Communication Interface	
Wireless	ZigBee, IEEE 802.15.4 Standard
Antenna	2.4 GHz-3 dBi Omni-Directional antenna
Protocols	Supports DCON and Modbus RTU Protocols
Hot Swap	By Rotary and DIP switch
LED Indicators	
Power	1 LED, red
ZigBee Communication	1 LED, green
Digital Input	14 LEDs, green
Power	
Power Consumption	0.84 W max.
Mechanical	
Flammability	Fire Retardant Materials (UL94-V0 Level)
Dimensions (W x L x H)	33 mm x 87 mm x 107 mm
Installation	DIN-Rail
Environment	
Operating Temperature	-25 °C ~ +75 °C
Storage Temperature	-30 °C ~ +80 °C
Humidity	10% ~ 90% RH, Non-condensing

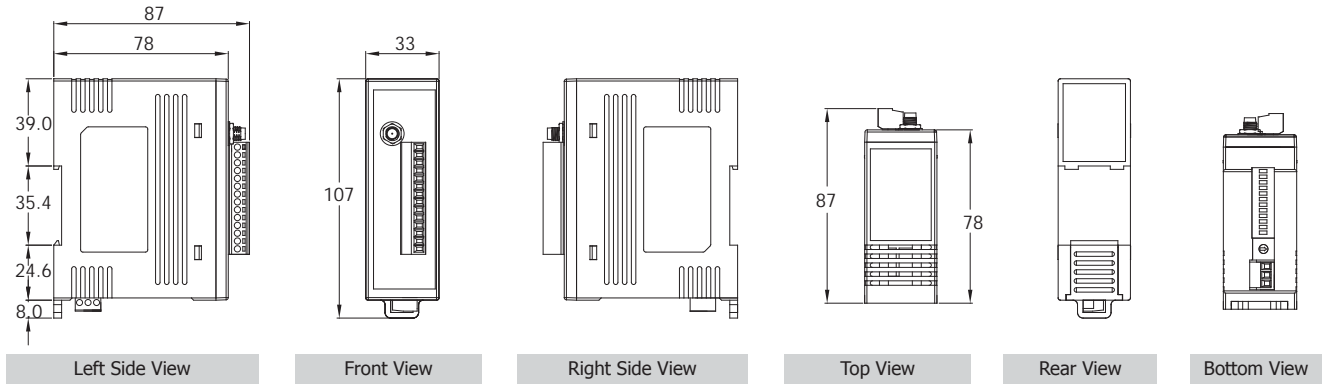
Wiring

Input Type	ON State LED ON Readback as 1	OFF State LED OFF Readback as 0
	Relay ON	Relay OFF
Dry Contact		
	Voltage > 3.5V	Voltage < 1V
Wet Contact (Source)		
	Open Collector ON	Open Collector OFF
Wet Contact (Sink)		

Appearance



Dimensions (Units: mm)



Ordering Information

ZB-2053-T CR	Wireless 14-ch Isolated Digital Input Module (RoHS)
Important Note: The ZigBee Data Acquisition modules need a ZigBee host converter to coordinate the data transmission route. Please remember to order a ZB-2550, ZB-2550-T, ZB-2550PA, ZB-2570, ZB-2570-T or ZB-2570PA ZigBee host converter when you purchase the ZigBee Data Acquisition products.	

Accessories

MDR-20-24	24 V _{DC} /1.0 A, 24 W Power Supply with DIN-Rail Mounting
ZB-2510-T CR	ZigBee Repeater (RoHS)
ZB-2510-PA CR	High Power Amplifier ZigBee Repeater (RoHS)
ZB-2550-T CR	RS-485/RS-232 to ZigBee Converter (Host) (RoHS)
ZB-2550-PA CR	RS-485/RS-232 to High Power Amplifier ZigBee Converter (Host) (RoHS)
ZB-2570-T CR	Ethernet/RS-485/RS-232 to ZigBee Converter (Host) (RoHS)
ZB-2570-PA CR	Ethernet/RS-485/RS-232 to High Power Amplifier ZigBee Converter (Host) (RoHS)



Features

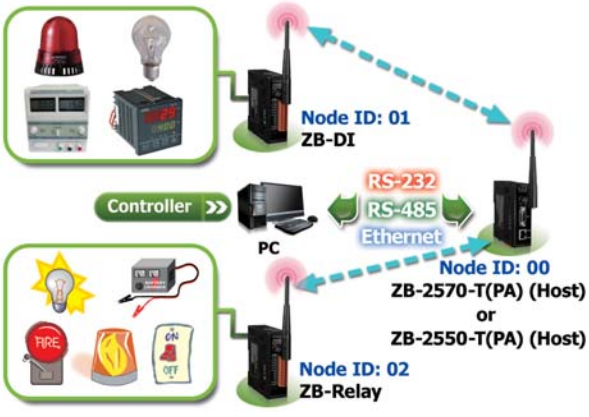
- ISM 2.4 GHz Operating Frequency
- Fully Compliant 2.4 G IEEE802.15.4/ZigBee Specifications
- Wireless Transmission Range up to 700 m (PA-Version)
- Wireless Transmission Range up to 100 m (None/T-Version)
- GUI Configuration Software (Windows Version)
- 6 Digital Input & 4 Relay Output
- Supports 16-bit Counters for Digital Inputs
- Surge and ESD Protection
- DIN-Rail Mounting

Introduction

The ZB-2060-T offers 4-ch form power relay outputs and 6-ch digital input, each of which features photo couple isolation. Moreover, you can choose sink type or source type input by wire connections. All channels can be used as 16-bit counters. ZB-2060-T not only has 10 LED indicators for channel status but also gets qualification for 4 kV ESD protection and 3000 Vdc intra-module isolation. Users can easily configure the module address, Protocol, Checksum, ZB-PID and ZB-ch by rotary and DIP switch.

Applications

Building Automation, Factory Automation, Machine Automation, Remote Maintenance, Remote diagnosis, Testing Equipment.



I/O Specifications

Digital Input		
Input Channel	6	
Input Type	Isolated, Wet Contact (Sink/Source)	
Input Level	On Voltage Level: +3.5 V _{DC} ~ +30 V _{DC}	
	Off Voltage Level: +1 V _{DC} max.	
Input Impedance	3 kΩ, 0.33 W	
Counters	Channels: 6	
	Max. Count: 16-bit (65535)	
	Max. Input Frequency: 100 Hz	
Min. Pulse Width: 5 ms		
Relay Output		
Output Channel	4	
Output Type	Power Relay, Form A	
Contact Rating	5 A @ (250 V _{AC} /30 V _{DC})	
Max. Contact voltage	270 V _{AC} /125 V _{DC}	
Operate Time	10 ms max. at rated voltage	
Release Time	5 ms max. at rated voltage	
Endurance	Electrically	Resistive Load: 100,000 ops. min. (10 ops/minute)
	Mechanically	At No Load: 20,000,000 ops. min. 300 ops/minute)
Dielectric Strength	Between Contacts	750 V _{AC} for 1 minute
	Between Coil to Contacts	3,000 V _{AC} for 1 minute
Insulation Resistance	5,080 V (1.2/50 μs)	
Surge Strength	5 ms max. at rated voltage	
ESD Protection	+/-4 kV Contact for Each Channel	

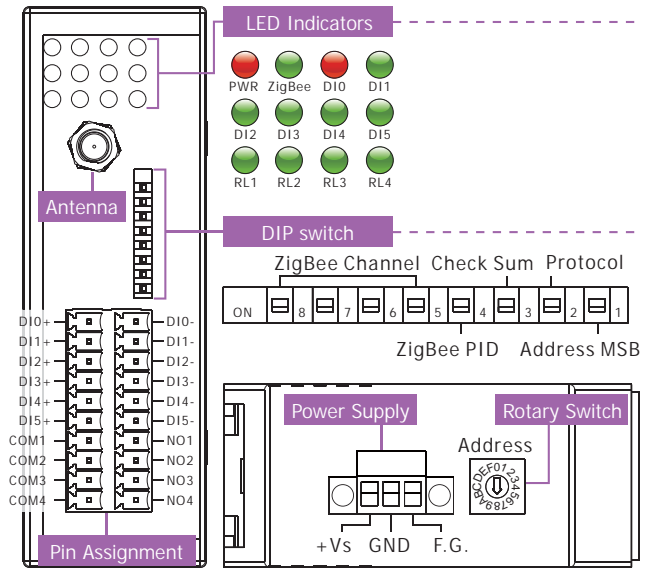
System Specifications

Communication Interface	
Wireless	ZigBee, IEEE 802.15.4 Standard
Antenna	2.4 GHz-3 dBi Omni-Directional antenna
Protocols	Supports DCON and Modbus RTU Protocols
Hot Swap	By Rotary and DIP switch
LED Indicators	
Power	1 LED, red
ZigBee Communication	1 LED, green
Digital Input & Output	10 LEDs, green
Power	
Power Consumption	1.2 W max.
Mechanical	
Flammability	Fire Retardant Materials (UL94-V0 Level)
Dimensions (W x L x H)	33 mm x 87 mm x 107 mm
Installation	DIN-Rail
Environment	
Operating Temperature	-25 °C ~ +75 °C
Storage Temperature	-30 °C ~ +80 °C
Humidity	10% ~ 90% RH, Non-condensing

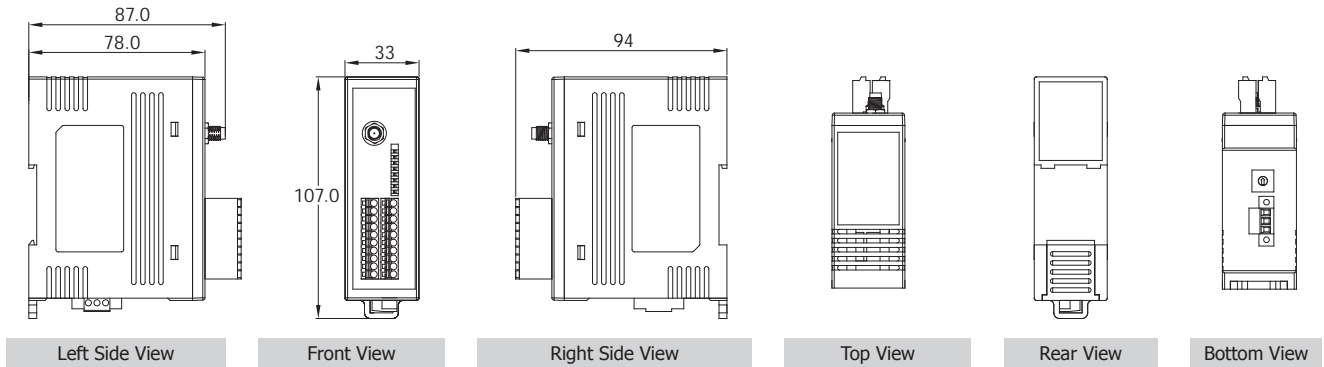
Wiring

Input Type	ON State LED ON Readback as 1	OFF State LED OFF Readback as 0
TTL/ CMOS Logic	Voltage > 3.5V	Voltage < 1V
Relay Contact	Relay ON	Relay OFF
Open Collector	Open Collector ON	Open Collector OFF
Output Type	ON State LED ON Readback as 1	OFF State LED OFF Readback as 0
Relay Contact	Relay ON	Relay OFF

Appearance



Dimensions (Units: mm)



Ordering Information

ZB-2060-T CR	Wireless 6-ch Isolated Digital Input and 4-ch Relay Output Module (RoHS)
Important Note: The ZigBee Data Acquisition modules need a ZigBee host converter to coordinate the data transmission route. Please remember to order a ZB-2550, ZB-2550-T, ZB-2550PA, ZB-2570, ZB-2570-T or ZB-2570PA ZigBee host converter when you purchase the ZigBee Data Acquisition products.	

Accessories

MDR-20-24	24 Vdc/1.0 A, 24 W Power Supply with DIN-Rail Mounting
ZB-2510-T CR	ZigBee Repeater (RoHS)
ZB-2510-PA CR	High Power Amplifier ZigBee Repeater (RoHS)
ZB-2550-T CR	RS-485/RS-232 to ZigBee Converter (Host) (RoHS)
ZB-2550-PA CR	RS-485/RS-232 to High Power Amplifier ZigBee Converter (Host) (RoHS)
ZB-2570-T CR	Ethernet/RS-485/RS-232 to ZigBee Converter (Host) (RoHS)
ZB-2570-PA CR	Ethernet/RS-485/RS-232 to High Power Amplifier ZigBee Converter (Host) (RoHS)

GPS Products

6

6.1. Overview

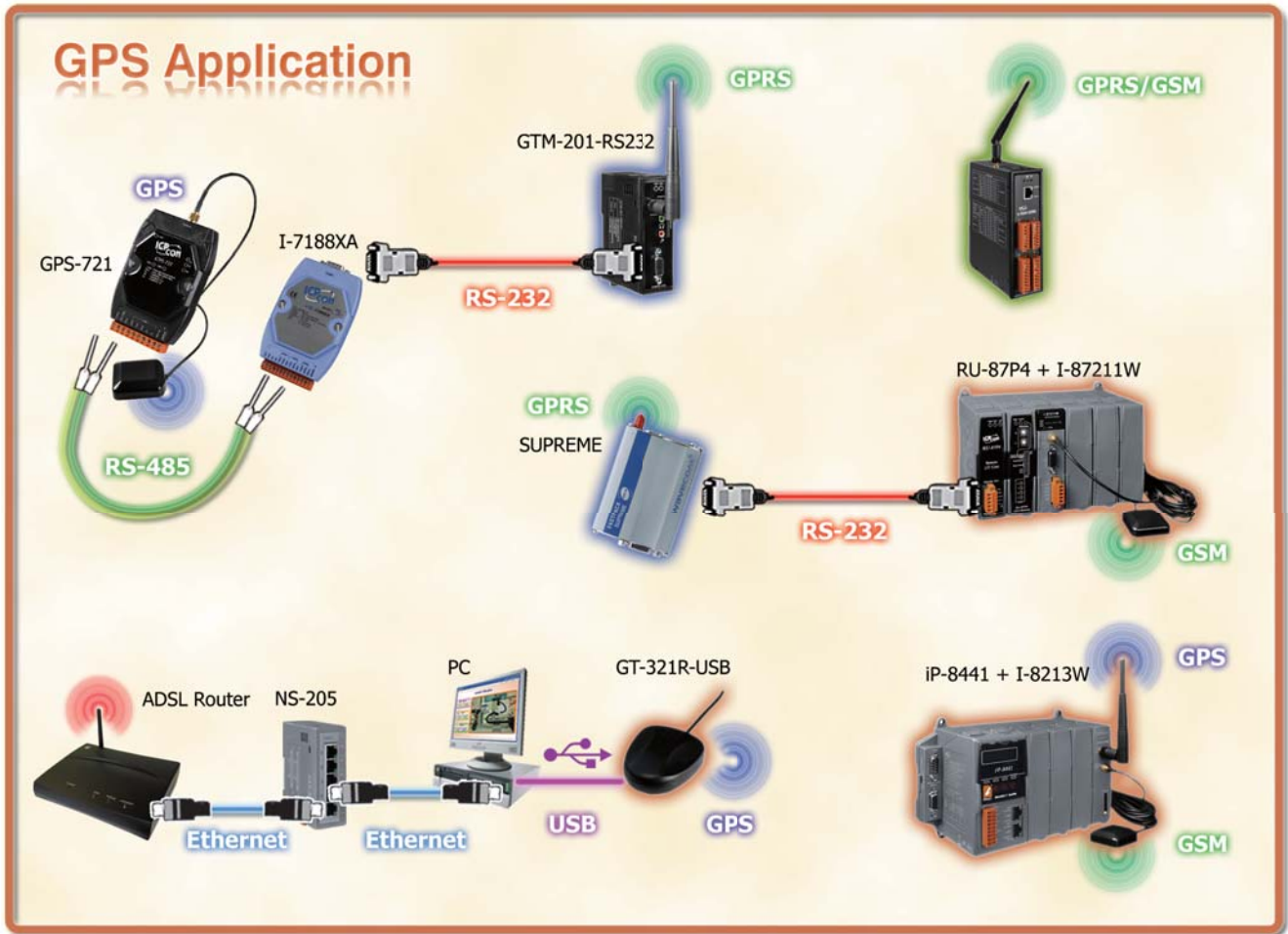
P6-1-1

6.2. GPS Receivers

P6-2-1



6.1. Overview



The Global Positioning System (GPS) is a space-based global navigation satellite system (GNSS) that provides reliable location and time information anytime and anywhere on the Earth when and where there is an unobstructed line of sight to four or more GPS satellites. ICP DAS provides various GPS products which are designed for rapid startup time and high performance in foliage and urban canyon environment.

Advantages & Benefits

- Support up to 66-channel GPS and NMEM v0183 v3.01
- Apply for Automotive, Marine or Personal positioning and navigation
- Current time from Satellite
- Easy installation

• GPS Product Selection Guide



GPS (Global Positioning System) is widely used for driving navigation, geographic monitoring, fleet management and cargo tracking, etc. We also can use GPS for industrial application according to its longitude and latitude value and UTC time. ICP DAS provides various modules for different applications. Some are pure GPS data receivers and some add DO channels. Some even can generate a UTC synchronized 1 PPS (Pulse Per Second).

Model Name	GPS Channels	SBAS	GPS Output Interface	GSM/GPRS	Digital Output	Protocol/Interface	Description	Page
GTM-201P-3GWA	32	WAAS, EGNOS, MSAS	USB/RS-232	Yes	-	-	GPS Receiver	4-2-4
GT-321R-USB	12	WAAS, EGNOS	RS-232	-	-	-	GPS Receiver	6-2-1
GT-321R-RS232	12	WAAS, EGNOS	USB	-	-	-	GPS Receiver	6-2-1
I-87211W	32	WAAS, EGNOS, MSAS	RS-232	-	2	DCON/*Note1	GPS Receiver and 2 DO Module	6-2-3
I-8213W	32	WAAS, EGNOS, MSAS	*Note2	Yes (TCP/IP protocol) *Note3	-	-	GPS Receiver and GPRS Controller Module	4-2-7
GPS-721	32	WAAS, EGNOS, MSAS	RS-232	-	1	DCON/RS-485	GPS Receiver and 1 DO Module	6-2-5

[*Note1] The support list of MCU (Main Control Unit) and I/O expansion unit are: XPAC, WinPAC, LinPAC, iPAC, ViewPAC, U-87P1/2/4/8, USB-87P1/2/4/8, I-8000, I-8KE4/8, I-8KE4/8-MTCP, I-87K4/5/8/9

[*Note2] Gets GPS Information from Parallel bus (API). The support list of MCU: XPAC, WinPAC, LinPAC, iPAC, ViewPAC, etc.

[*Note3] Gets GSM/GPRS Information from Parallel bus (API). This GPRS/GSM module is integrated with the TCP/IP protocol, Extended TCP/IP AT commands. The support list of MCU : XPAC, WinPAC, LinPAC, iPAC, ViewPAC, etc.

6.2. GPS Receivers



Features

- GPS Receiver with 12 parallel channel
- 4100 simultaneous time-frequency search bins
- SBAS (WAAS, EGNOS) support
- -140 dBm acquisition sensitivity
- -150 dBm tracking sensitivity
- <10 second hot start
- <50 second cold start
- 5 m CEP accuracy
- USB/RS232 Interface
- Easy plug in Notebook and PC



Introduction

With a miniature form factor, the GT-321R-RS232/USB GPS Receiver module utilizes 12-channel GPS technology and is designed for rapid startup time and high performance in foliage and urban canyon environments. The GT-321R-RS232/USB applies the latest semiconductor technology so as to provide robust performance, enhanced position and velocity filtering for smooth navigation, onboard patch antenna and RS-232/USB driver for simple interfacing. The GT-321R is optimized for applications requiring good performance, low cost and maximum flexibility. It is suitable for a wide range of applications including asset tracking and monitoring. Satellite-based augmentation systems (SBAS) such as EGNOS and WAAS are supported to yield improved accuracy.

Specifications

Models	GT-321R-RS232	GT-321R-USB
General		
General	L1 frequency, C/A code, 12 Parallel Channels	
Sensitivity	-165 dBW minimum	-140 dBm acquisition -150 dBm tracking
Update Rate	1 Hz	
Reacquisition	100 millisecond	
Accuracy		
Position	25 m CEP S/A off	5 m CEP
Velocity	0.1 m/sec S/A off	0.1 m/sec
Startup time		
Cold Start	120 sec	<50 sec (typical)
Warm Start	40 sec	<25 sec (typical)
Hot Start	10 sec	<10 sec
Dynamics		
Altitude	-1000 m ~ +18,000 m	<18,000 m
Velocity	500 m/sec	515 m/sec
Acceleration	+/-4 g	4 g
Communication Interface		
Serial Port	Standard RS-232	USB
Protocols		
Baud Rate	4800/9600 baud, 8-None-1	4800 baud, 8-None-1
Datum	219 standard datum; WGS-84 (default)	
NMEA Messages	GGA, GSA, GSV, RMC, GLL, VTG	GGA, GLL, GSA, GSV, RMC, VTG, ZDA
Power		
Required Supply Voltage	3.8 ~ 8 Vdc	
Power Consumption	<100 mW	
Mechanical		
Dimensions (L x W x D)	60 mm x 50 mm x 22 mm	
Weight	25 g	
Environment		
Operating Temperature	-40 °C ~ +85 °C	
Storage Temperature	-55 °C ~ +100 °C	-55 °C ~ +90 °C
Relative Humidity	5% ~ 95% RH, Non-condensing	

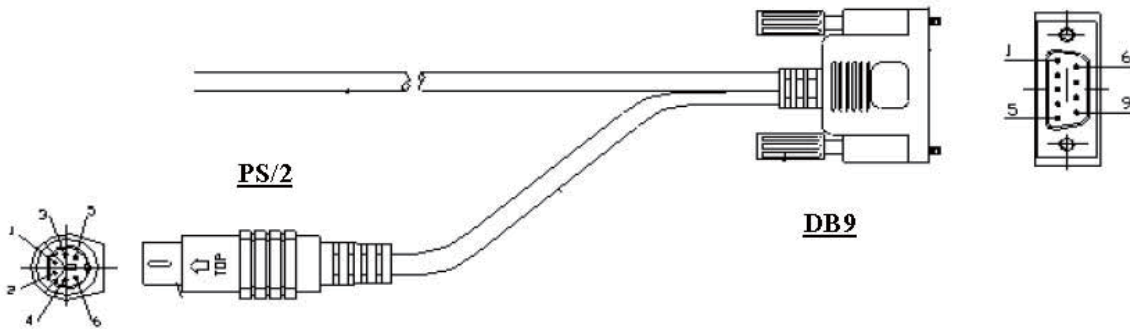
Applications

The GT-321R-RS232/USB is a high performance, low power consumption, small size, very easy integrated GPS receiver. It can be used as a satellite navigator for map applications running on a PC or a notebook. The GT-321R-RS232/USB GPS receiver will track satellites at a time while providing fast time-to-first-fix and one second navigation updates. Combining this Receiver with an embedded controller module plus Data Acquisition modules/daughter boards and using some simple programming, Mobile Assets can be tracked as well as other sensor data being reported.



Pin Assignments

GT-321R-RS232

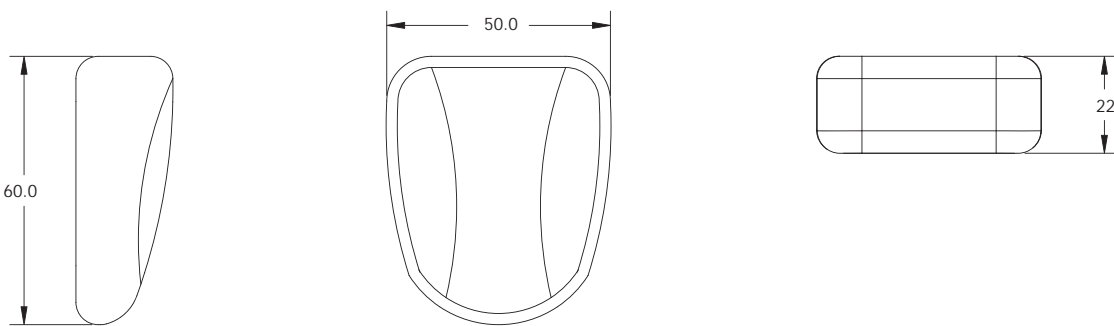


PS/2	
Terminal No.	Pin Assignment
01	N/C
02	N/C
03	GND
04	VCC
05	N/C
06	N/C

DB9			
Pin Assignment	Terminal No.	Terminal No.	Pin Assignment
N/C	01	06	N/C
TX	02	07	N/C
RX	03	08	N/C
N/C	04	09	N/C
GND	05		

9-Pin Male D-Sub Connector

Dimensions (Units: mm)



Left Side View

Front View

Top View

Ordering Information

GT-321R-USB CR	GPS Receiver USB Interface (RoHS)
GT-321R-RS232 CR	GPS Receiver RS-232 Interface (RoHS)



I-87211W

GPS Receiver and 2 DO, 1 PPS Output Module with GPS Active External Antenna

Features

- Support PACs and Remote I/O expansion units of ICP DAS
- Support 66-channel GPS
- RS-232 supports NEMA v0183 v3.01 format or DCON protocol
- Built-in 2-channel DO, 1-channel PPS (1 pulse/s)
- PPS: 100 ms pulse output/sec for precise timekeeping and time measurement
- With various system LED indicators
- Capable of SBAS (WAAS, EGNOS, MSAS)
- DIN Rail mounting



Introduction

I-87211W module features high sensitivity, low power and ultra small form factor. This GPS module is powered by MediaTek solution, it can provide you with superior sensitivity and performance even in urban canyon and dense foliage environment.

Applications

- Satellite time correction
- Personal positioning and navigation
- Automotive navigation
- Marine navigation

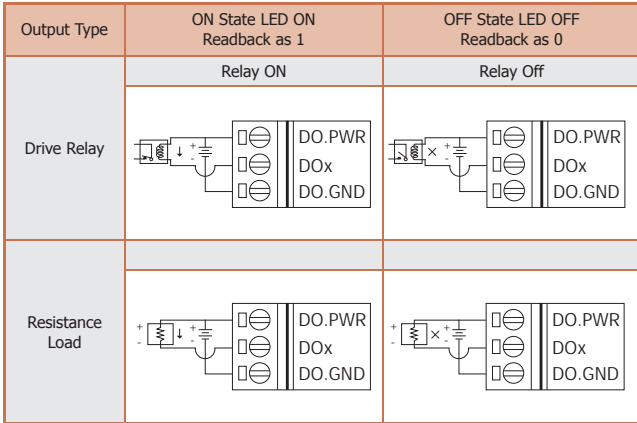
I/O Specifications

Digital Output	
Output Channel	2 (Sink)
Output Type	Non-isolated Open Collector
Output Current	100 mA
Load Voltage	+5 V _{DC} ~ +30 V _{DC}

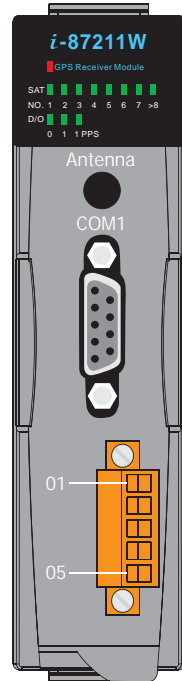
System Specifications

Models	I-87211W
GPS Receiver	
Chip	MediaTek solution
Frequency	L1 1575.42 MHz, C/A code
Support Channel	32
Position Accuracy	Capable of SBAS (WAAS, EGNOS, MSAS)
Max. Altitude	<18,000 m
Max. Velocity	<515 m/s
Startup Time	Cold Start (Open Sky) = 42 s (typical)
Sensitivity	Tracking = Up to -158 dBm
	Cold start = Up to -142 dBm
Protocol Support	NMEA 0183 version 3.01
GPS Output	
1 PPS	Pulse per second output (Default 100 ms pulse/sec)
RS-232 Interface	GPS information output
LED Indicators	
Power/Communication	1 LED
Digital Output	3 LEDs
GPS	8 LEDs
Power	
Power Consumption	0.75 W (Max.)
Mechanical	
Dimensions (W x L x H)	30 mm x 91 mm x 114 mm
Environment	
Operating Temperature	-25 °C ~ +75 °C
Storage Temperature	-30 °C ~ +75 °C
Humidity	5% ~ 95% RH, Non-condensing

Wiring



Appearance

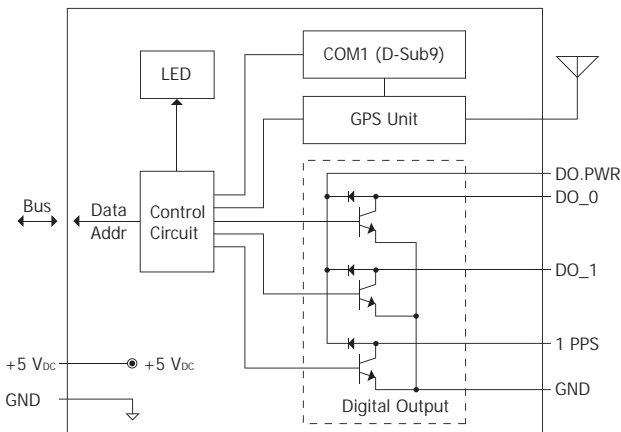


Pin Assignment	Terminal No.	Pin Assignment
-	01	06
GPS_TxD	02	07
GPS_RxD	03	08
-	04	09
GND	05	-

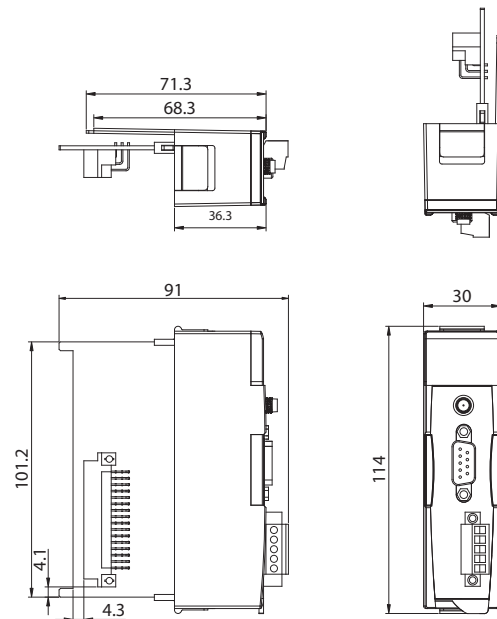
COM1 9-Pin Female D-Sub Connector

Terminal No.	Pin Assignment
01	DO.PWR
02	DO_0
03	DO_1
04	1 PPS
05	GND

Internal I/O Structure



Dimensions (Units: mm)



Ordering Information

I-87211W CR	GPS Receiver Module with 2 DO and 1 PPS output, includes ANT-115-03 (Gray Cover) (RoHS)
-------------	---

Accessories

ANT-115-03 CR	4PI81K0000001	5 m GPS Active External Antenna (SMA Plug) (RoHS)
---------------	---------------	---



GPS-721

GPS Receiver and 2 DO, 1 PPS Output Module with GPS Active External Antenna

Features

- Support 66-channel GPS
- RS-485 supports DCON protocol
- RS-232 supports NEMA v0183 v3.01 format or DCON protocol
- Built-in 1-channel DO, 1-channel PPS (1 pulse/sec), 1 RS-485, and 1 RS-232
- PPS: 100 ms pulse output/sec for precise timekeeping and time measurement
- With various system LED indicators
- Capable of SBAS (WAAS, EGNOS, MSAS)
- DIN Rail mounting



Introduction

GPS-721 module features high sensitivity, low power and ultra small form factor. This GPS module is powered by MediaTek solution, it provides you with superior sensitivity and performance even in urban canyon and dense foliage environment.

Applications

- Satellite time correction
- Personal positioning and navigation
- Automotive navigation
- Marine navigation

I/O Specifications

Digital Output	
Output Channel	1 (Sink)
Output Type	Non-isolated Open Collector
Output Current	100 mA
Load Voltage	+5 V _{DC} ~ +30 V _{DC}

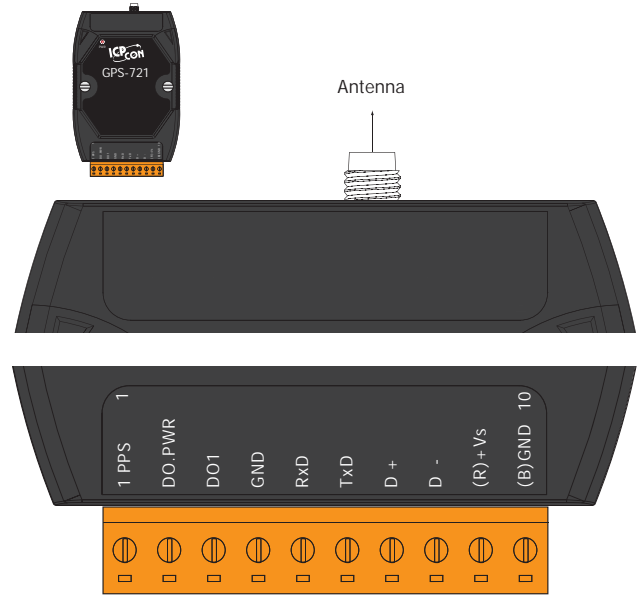
System Specifications

Models	GPS-721
GPS Receiver	
Chip	MediaTek solution
Frequency	L1 1575.42 MHz, C/A code
Support Channel	32
Position Accuracy	Capable of SBAS (WAAS, EGNOS, MSAS)
Max. Altitude	<18,000 m
Max. Velocity	<515 m/s
Startup Time	Cold Start (Open Sky) = 42 s (typical)
Sensitivity	Tracking = Up to -158 dBm
	Cold start = Up to -142 dBm
Protocol Support	NMEA 0183 version 3.01
GPS Output	
1 PPS	Pulse per second output (Default 100 ms pulse/sec)
RS-232 Interface	GPS information output
LED Indicators	
Power/Communication	1 LED
GPS	3 LEDs
Power	
Protection	Power reverse polarity protection
Frame Ground for ESD Protection	Yes
Required Supply Voltage	+10 V _{DC} ~ +30 V _{DC} (Non-regulated)
Power Consumption	0.8 W
Mechanical	
Dimensions (W x H x D)	72 mm x 117 mm x 35 mm
Environment	
Operating Temperature	-25 °C ~ +75 °C
Storage Temperature	-40 °C ~ +85 °C
Humidity	5% ~ 95% RH, Non-condensing

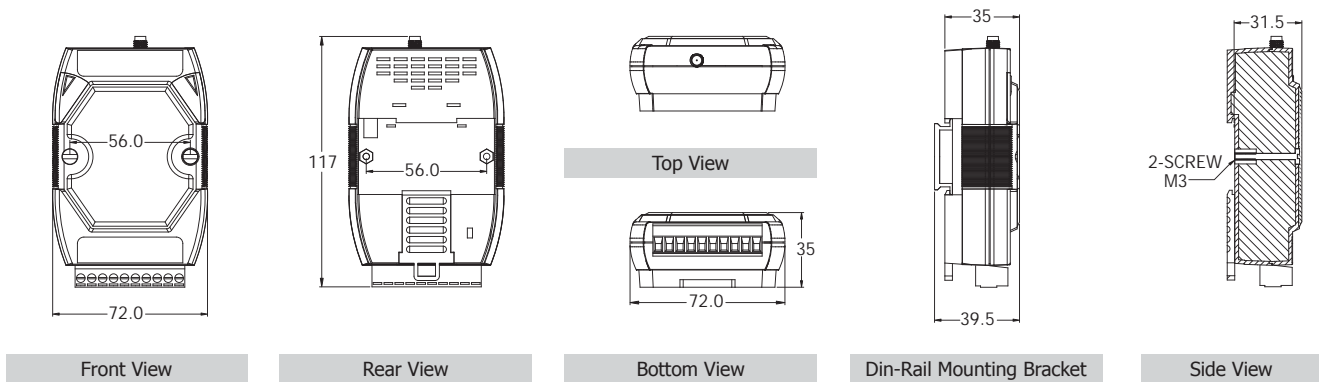
Wiring

Output Type	ON State LED ON Readback as 1	OFF State LED OFF Readback as 0
	Relay ON	Relay Off
Drive Relay		
Resistance Load		

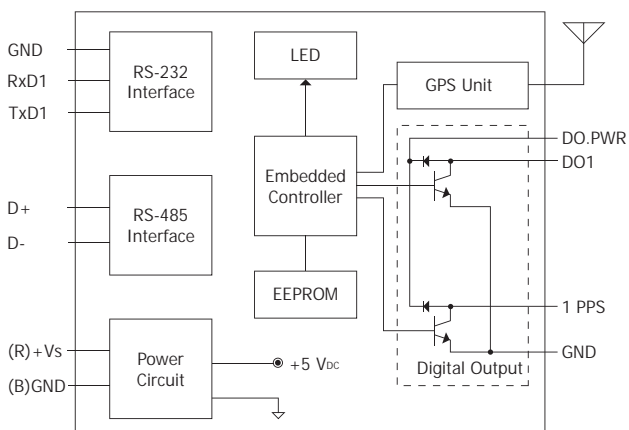
Appearance



Dimensions (Units: mm)



Internal I/O Structure



Ordering Information

GPS-721 CR	GPS Receiver and 1 DO, 1 PPS Output Module (RoHS)
------------	---

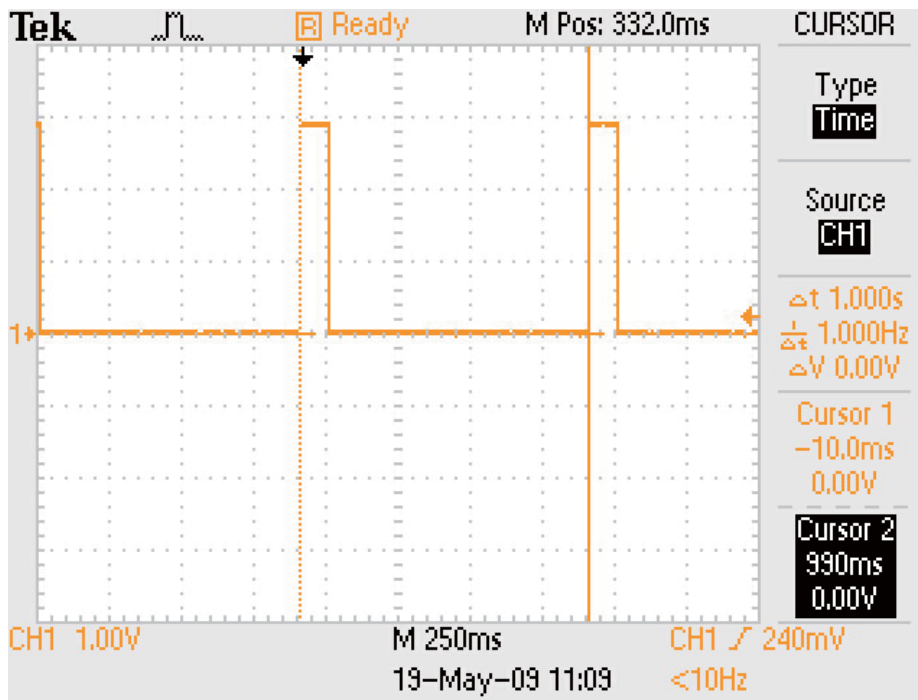
Accessories

ANT-115-03 CR	4PI81K0000001	5 m GPS Active External Antenna (SMA Plug) (RoHS)
---------------	---------------	---

1 Pulse Per Second (Pulse duration is 100 ms/pulse)

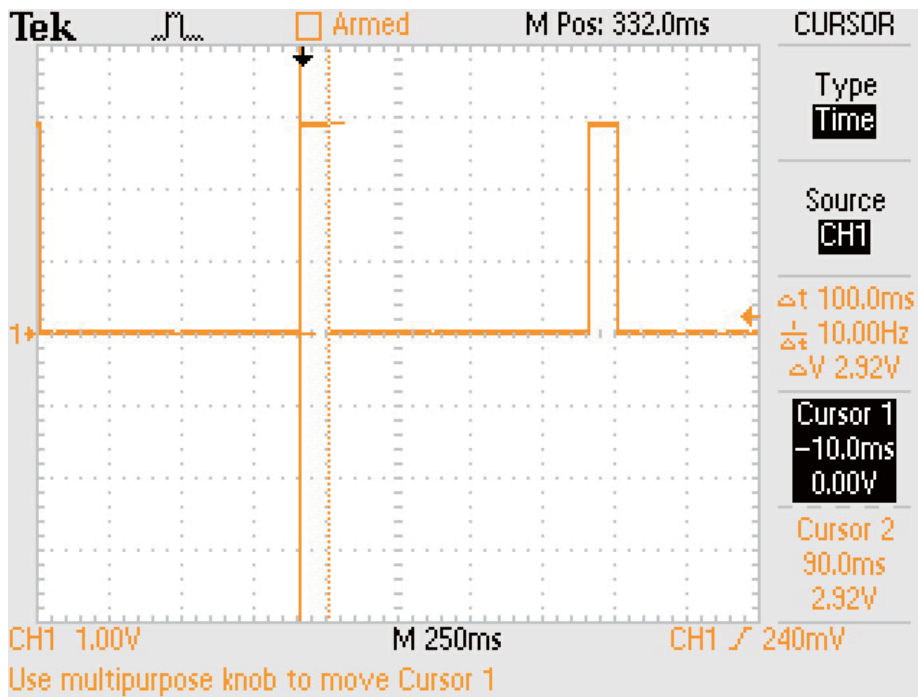
6

GPS Products



2

GPS Receivers



The Global Positioning System can also be used as a time reference for radio clocks, but require an accurate 1PPS output to be reliably used for time signals.

A Pulse per second (PPS) is an electrical signal that very precisely indicates the start of a second. PPS signals are output by various types of precision clock, including some models of GPS receivers. Depending on the source, properly operating PPS signals have an accuracy ranging from a few nanoseconds to a few milliseconds.

PPS signals are used for precise timekeeping and time measurement. One increasingly common use is in computer timekeeping, including the NTP protocol. Since GPS is considered a stratum-0 source, a common use for the PPS signal is to connect it to a PC using a low-latency, low-jitter wire connection and allow a program to synchronize with it: this makes the PC a stratum-1 time source. Note that because the PPS signal does not specify the time, but merely the start of a second, one must combine the PPS function with another time source that provides the full date and time in order to ascertain the time accurately and precisely.

GPS-721

Infrared Products

7

7.1. Overview

P7-1-1

7.2. Infrared Modules

P7-2-1



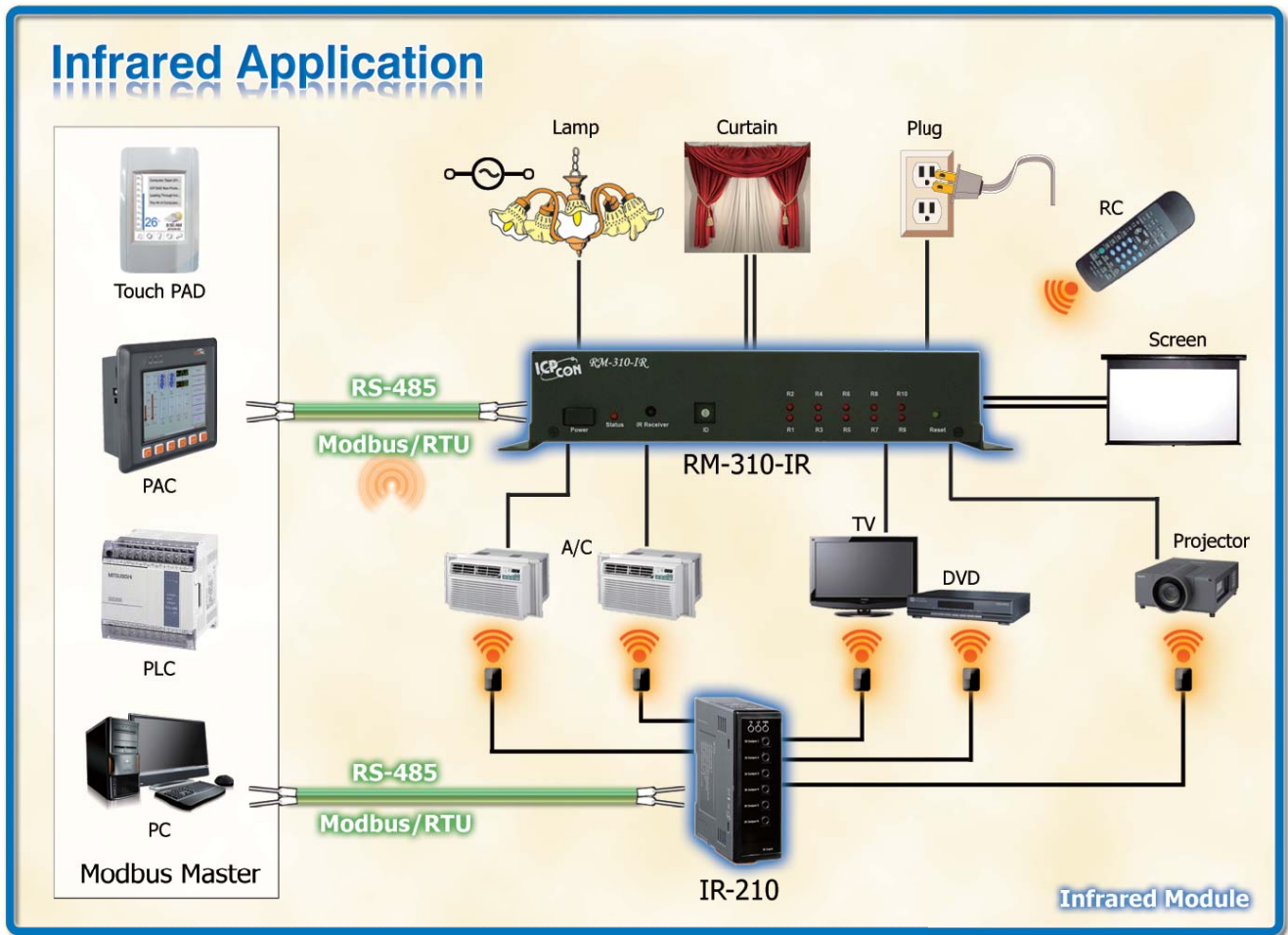
7.1. Overview

7

Infrared Products

1

Overview



Infrared (IR) light is invisible to human being because its wavelength is below the visible spectrum. The consumer electronics industry has been employing the infrared (around 950nm) for a long time. Invisibility, low power consumption and low cost are the reason why IR is chosen for remote control purpose. Because IR behaves as a normal light, the target devices require line-of-sight to be controlled by an IR remote control. There are many IR sources all around, however, modulation of IR signal at emitter side and demodulation at the receiver side are done to diminish the interference of ambient light. The IR signal is often modulated at a frequency between 30 kHz and 60 kHz which are commonly used in consumer electronics. These devices usually apply different IR protocols and commands of their own without a unified standard. If the IR commands can be collected together and be integrated with the control interface, it can provide convenience and flexibility for the automated applications.

ICP DAS has developed various IR products to apply in home automation. These IR products will help users to control and integrate these IR devices into a control system. Therefore, by integrating the PAC and others series of ICP DAS, users can easily to establish the home automation system.

Advantages & Benefits

- With RS-232 and RS-485 Interfaces.
- Support Modbus/RTU protocol.
- No special or proprietary hardware is required.
- Easy to integrated with automation.
- High noise immunity.

• Infrared Product Selection Guide



IR series products here are classified into IR Remote Module and IR Power Relay Module. They can be easily integrated with the PACs and other series of ICP DAS's products to establish the home automation application.

Model Name	Output	UART Interface	Protocol Support	Page
IR-210	6 x IR Output Channels	1 x RS-232 1 x RS-485	Modbus RTU	7-2-1
RM-310-IR	10 x High Power Relay Channels	1 x RS-232 1 x RS-485	Modbus RTU IR commands	7-2-1

7.2. Infrared Modules

7

Infrared Products



Introduction

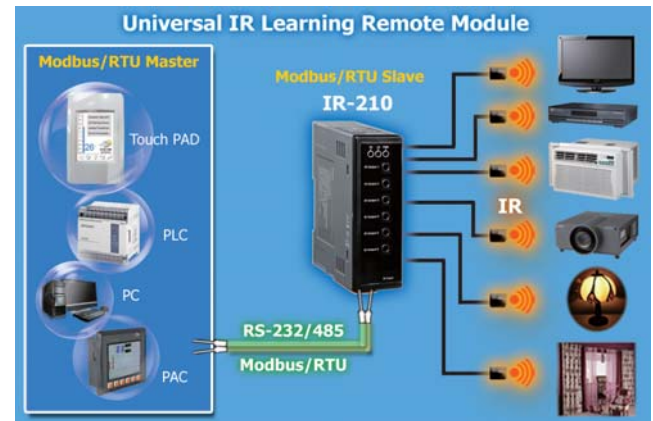
The IR-210 is a universal IR learning remote module which can learn IR remote commands of diverse electronic devices. The learning results can be stored in the module or saved to a file. The IR-210 supplies 6 IR output channels for individual and simultaneous control on multiple devices. The accompanied RS-232 and RS-485 interfaces with Modbus/RTU protocol provide an easy way of remote control by the Modbus master devices. The application can be home entertainment devices, video conferencing, light control and e-Classroom service etc. IR-210 is well-suited for smart home and building automation.

Features

- 6 IR output channels for controlling multiple devices
- 1 IR learning input
- Supports IR carrier frequencies: 32.768, 36, 37.037, 38, 40 and 56 kHz
- Can learn and store 176 IR commands
- Supports RS-232 and RS-485 serial interface
- Supports Modbus/RTU protocol
- Assignable 256 Modbus Network IDs
- Baud rate settings: 9600, 19200, 38400, 57600 and 115200 bps
- Configurable NONE / ODD / EVEN parity and 1 or 2 stop bits
- Provides transmitting / learning / power indication LEDs
- Built-in Watchdog
- RoHS Compliance



Applications



2

Infrared Modules



Introduction

The RM-310-IR is a 10-channel high power relay module designed for the power control of indoor appliances. The relay module can switch up to 15 A loads. There are NO/NC switches and protection circuit for each channel. The channels can be controlled independently or sequentially by serial communication with Modbus RTU protocol, as well as by wireless IR remote control. Maximum 5 sets of CW & CCW motor control are also provided. The application field can be manual/automatic power switch, timer switch, light scenario control and energy conservation etc.

Features

- 10 channels high power loops: 15A x 2, 10A x 2, 5A x 6
- NO and NC for each channel
- Protection circuit for each channel
- Independent and sequential power control
- Supports maximum 5 sets of CW/CCW motor control
- Supports RS-232 and RS-485 serial interface
- Supports Modbus/RTU protocol
- Assignable Modbus Network IDs: 0 ~ 15
- Supports IR commands for IR remote control
- Built-in watchdog



Ordering Information

IR-210 CR	Universal IR Learning Remote Module (RoHS)
RM-310-IR CR	10-CH High Power Relay Module

Accessories

CA-IR-SH2251	Single-headed IR emitter (with adhesive pad)
CA-IR-SH2252	Dual-headed IR emitter (with adhesive pad)

Accessories

8

8.1. Applications & Selection Guides

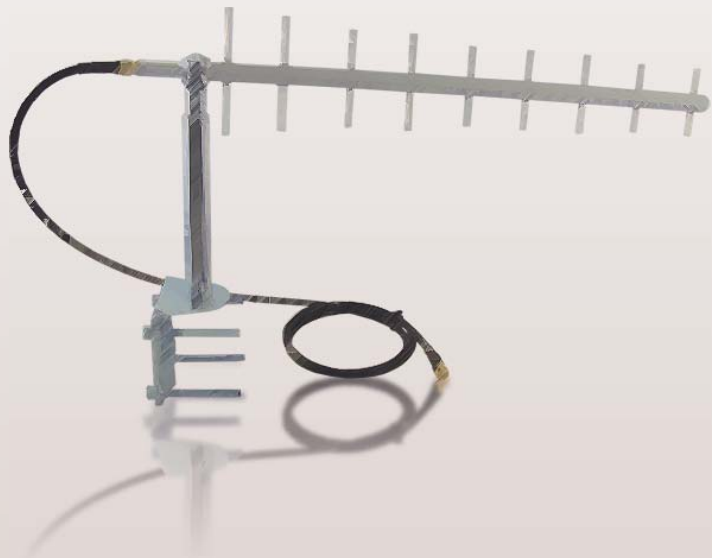
P8-1-1

8.2. 2.4 GHz Omni-directional External Antennas

P8-2-1

8.3. 2.4 GHz Directional External Antennas

P8-3-1



8.1. Applications & Selection Guides

8

Accessories

- Applications

1. Omni-directional Antenna to Omni-directional Antenna

Note: As the antennas rely on line-of-sight for connection, they should be placed at the same height.

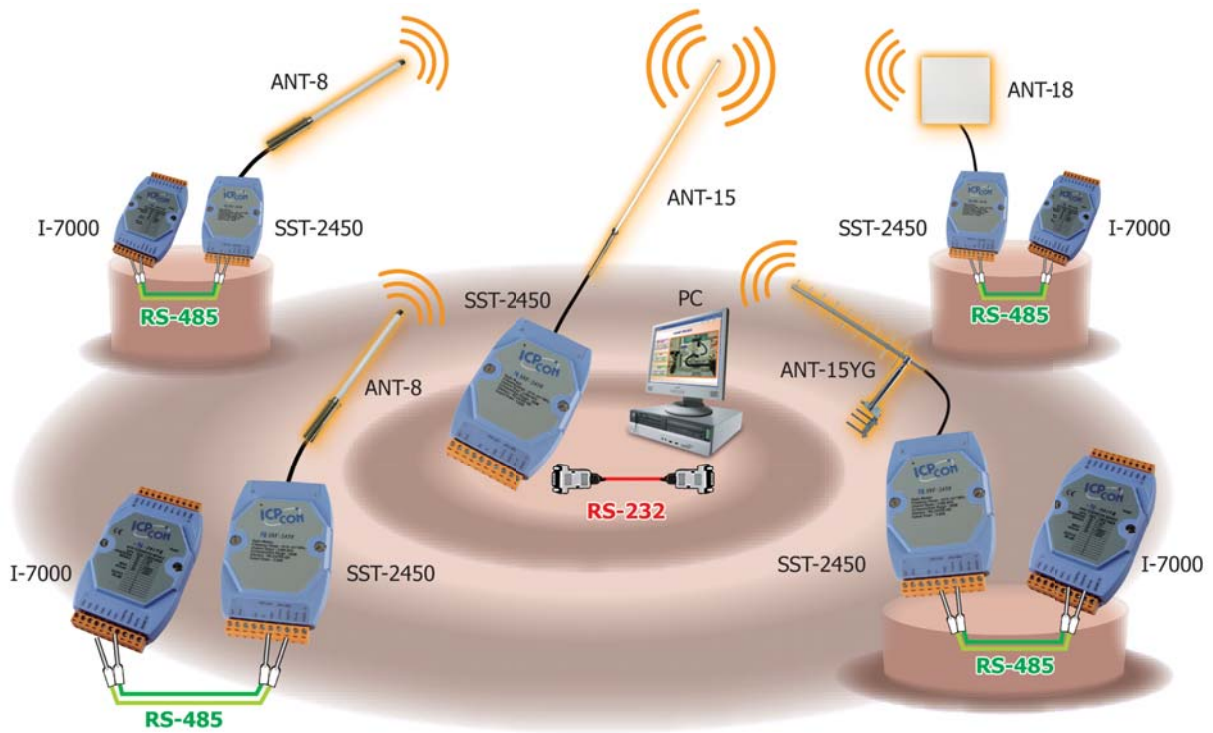


1

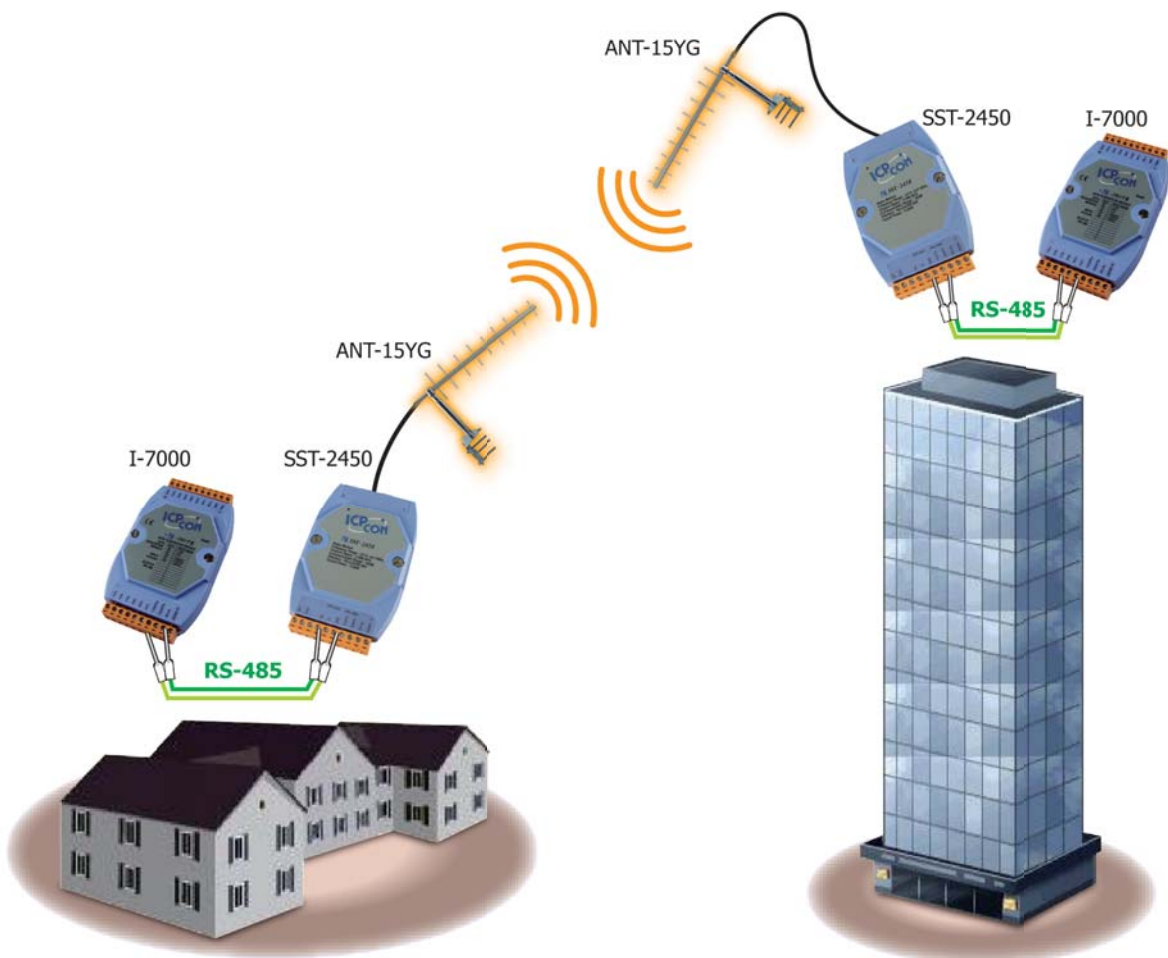
Applications & Selection Guides



2. Omni-directional Antenna to Directional Antenna



3. Directional Antenna to Directional Antenna




4. Connector Type for 2.4 GHz Antenna

2.4 GHz Wireless Modules


Radio Modems


SST-900B



RF Modems

SST-2450






RPSMA Female
(Jack)

RPSMA Male
(Plug)


External Antennas

Omni-directional

ANT-8




ANT-15




Directional

ANT-15YG



ANT-18



• Selection Guide



2.4 GHz Omni-directional Antennas

Model Name	Ordering Information	Connector	Radiation	Band	Gain (dBi)	Note	Page
ANT-8	1 km, 2.4 GHz External Antenna	RP SMA Male (Plug)	Omni-Directional	2.4 ~ 2.5 GHz	8	Dipole	8-2-1
ANT-15	5 km, 2.4 GHz External Antenna	RP SMA Male (Plug)	Omni-Directional	2.4 ~ 2.5 GHz	15	Dipole	8-2-2



2.4 GHz Directional Antennas

Model Name	Ordering Information	Connector	Radiation	Band	Gain (dBi)	Note	Page
ANT-15YG	5 km, 2.4 GHz External Antenna	RP SMA Male (Plug)	Directional	2.4 ~ 2.5 GHz	15	Yagi	8-3-1
ANT-18	9 km, 2.4 GHz External Antenna	RP SMA Male (Plug)	Directional	2.4 ~ 2.5 GHz	18	Panel	8-3-2

8.2. 2.4 GHz Omni-directional External Antenna



Features

- 802.11b/g
- 10 dBi
- N Type Female (Jack)
- N Type Male (Plug) to RP SMA Male (Plug) Cable



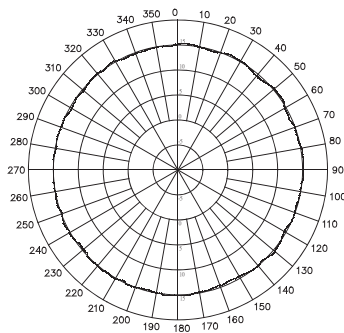
Introduction

ANT-8 is a 10 dBi Antenna

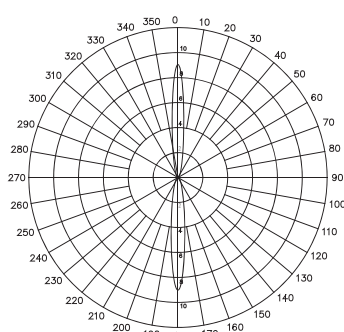
Applications

For ZigBee and SST-2450 Products

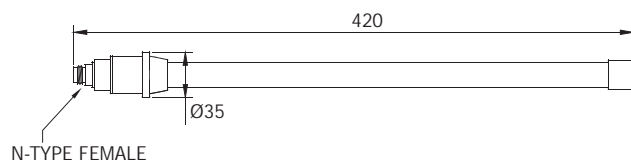
H-PLANE FIELD PATTERNS



E-PLANE FIELD PATTERNS



Dimensions (Units: mm)



Specifications

Antenna Type	
Operating Environment	Indoor or Outdoor
Radiation	Directional Sector
Electrical Specifications	
Frequency Range	2400 ~ 2500 MHz
Gain	9 dBi
VSWR	1.3:1 (Max.)
Polarization	Linear
HPBW/Horizontal	360°
HPBW/Vertical	10°
Power Handling	15 W (Max.)
Impedance	50 Ω +/-5 Ω
Cable	-
Connector	N Type Female
Environmental and Mechanical Characteristics	
Operating Temperature	-20 °C ~ +60 °C
Radome Material	Glass fiber
Weight	430 g
Dimensions (L x W)	420 mm x φ35 mm

Ordering Information

ANT-8	1 km, 2.4 GHz External Antenna (Omnidirectional) Gain: 8 dBi
Includes	3S004 x 1 HDF 200 Cable, 1 m N Type Male to SMA Male
Important Note: Distance data is for reference only. Actual results may be different depending on the environment.	

Accessories

3S005	HDF 200 Cable, 3 Meter Long N Type Male to SMA Male
3S006	HDF 200 Cable, 5 Meter Long N Type Male to SMA Male



ANT-15

5 km, 2.4 GHz External Antenna

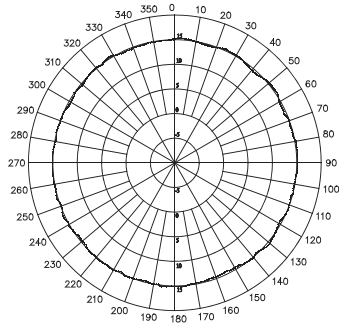
Introduction

ANT-15 is a 15 dBi Antenna

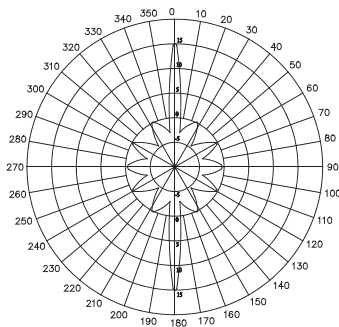
Applications

For ZigBee and SST-2450 Products

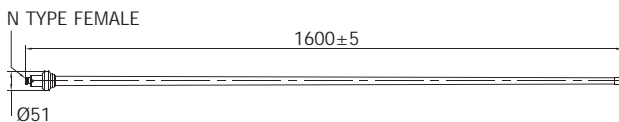
H-PLANE FIELD PATTERNS



E-PLANE FIELD PATTERNS



Dimensions (Units: mm)



Features

- 802.11b/g
- 15 dBi
- N Type Female (Jack)
- N Type Male (Plug) to RP SMA Male (Plug) Cable



Specifications

Antenna Type	
Operating Environment	Outdoor
Radiation	Directional Sector
Electrical Specifications	
Frequency Range	2400 ~ 2500 MHz
Gain	15 dBi
VSWR	1.3:1 (Max.)
Polarization	Linear
HPBW/Horizontal	360°
HPBW/Vertical	10°
Power Handling	20 W (Max.)
Impedance	50 Ω +/- 5 Ω
Cable	RG-58, 100 cm
Connector	N Type Female
Environmental and Mechanical Characteristics	
Operating Temperature	-20 °C ~ +60 °C
Radome Material	Glass fiber
Weight	1050 g
Dimensions (L x W)	1600 mm x 35 mm

Ordering Information

ANT-15	5 km, 2.4 GHz External Antenna (Omnidirectional) Gain: 15 dBi
Includes	3S004 x 1 HDF 200 Cable, 1 m N Type Male to SMA Male
Important Note: Distance data is for reference only. Actual results may be different depending on the environment.	

Accessories

3S005	HDF 200 Cable, 3 Meter Long N Type Male to SMA Male
3S006	HDF 200 Cable, 5 Meter Long N Type Male to SMA Male

8.3. 2.4 GHz Directional External Antenna



Features

- 802.11b/g
- 15 dBi
- N Type Female (Jack)
- N Type Male (Plug) to RP SMA Male (Plug) Cable
- Yagi Antenna



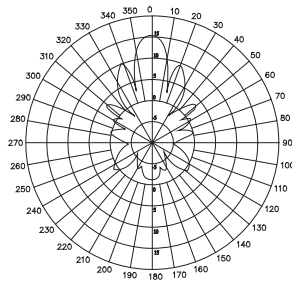
Introduction

ANT-15YG is a 15 dBi Antenna

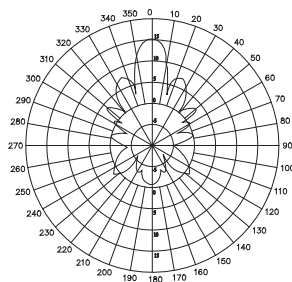
Applications

For ZigBee and SST-2450 Products

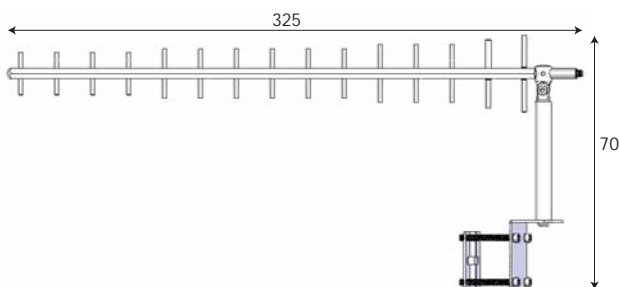
H-PLANE FIELD PATTERNS



E-PLANE FIELD PATTERNS



Dimensions (Units: mm)



Specifications

Antenna Type	
Operating Environment	Outdoor
Radiation	Directional Sector
Electrical Specifications	
Frequency Range	2400 ~ 2500 MHz
Gain	15 dBi
VSWR	2:1 (Max.)
Polarization	Linear
HPBW/Horizontal	25°
HPBW/Vertical	18°
Power Handling	10 W (Max.)
Impedance	50 Ω
Cable	RG-58, 100 cm
Connector	N Type Female
Environmental and Mechanical Characteristics	
Operating Temperature	-40 °C ~ +85 °C
Radome Material	Aluminum
Weight	425 g
Dimensions (L x W)	325 mm x 70 mm x 15 mm

Ordering Information

ANT-15YG	5 km, 2.4 GHz External Antenna (Directional) Gain: 15 dBi
Important Note: Distance data is for reference only. Actual results may be different depending on the environment.	

Accessories

3S005	HDF 200 Cable, 3 Meter Long N Type Male to SMA Male
3S006	HDF 200 Cable, 5 Meter Long N Type Male to SMA Male



ANT-18

9 km, 2.4 GHz External Antenna

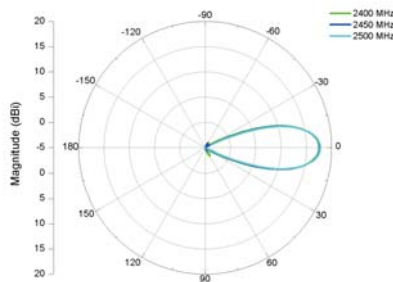
Introduction

ANT-18 is a 18 dBi Antenna

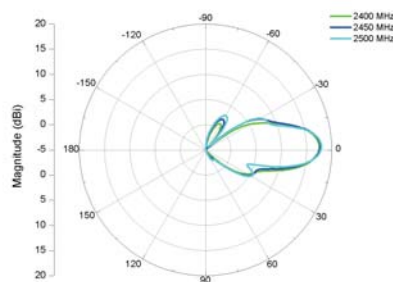
Applications

For ZigBee and SST-2450 Products

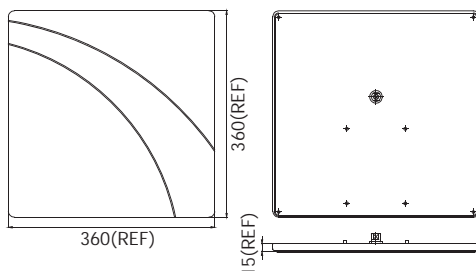
H-PLANE Co-polarization Pattern



V-PLANE Co-polarization Pattern



Dimensions (Units: mm)



Features

- 802.11b/g
- 15 dBi
- N Type Female (Jack)
- N Type Male (Plug) to RP SMA Male (Plug) Cable
- Panel Antenna



Specifications

Antenna Type	
Operating Environment	Outdoor
Radiation	Directional Patch
Electrical Specifications	
Frequency Range	2400 ~ 2500 MHz
Gain	18 dBi
VSWR	1.5:1 (Max.)
Polarization	Vertical
HPBW/Horizontal	15°
HPBW/Vertical	15°
Power Handling	50 W (cw)
Impedance	50 Ω
Cable	RG-58, 100 cm
Connector	N Type Female
Environmental and Mechanical Characteristics	
Operating Temperature	-40 °C ~ +80 °C
Radome Material	ABS
Weight	1600 g
Dimensions (L x W x H)	360 mm x 360 mm x 16 mm

Ordering Information

ANT-18	9 km, 2.4 GHz External Antenna (Directional) Gain: 18 dBi
Includes	3S004 x 1 HDF 200 Cable, 1 m N Type Male to SMA Male
Important Note: Distance data is for reference only. Actual results may be different depending on the environment.	

Accessories

3S005	HDF 200 Cable, 3 Meter Long N Type Male to SMA Male
3S006	HDF 200 Cable, 5 Meter Long N Type Male to SMA Male

Model Index

Model Name	Page
A	
ANT-8	8-2-1
ANT-15	8-2-2
ANT-15YG	8-3-1
ANY-18	8-3-2

G	
GTM-201-RS232	4-2-1
GTM-201-USB	4-2-1
GTM-201-3GWA	4-2-4
GTM-201P-3GWA	4-2-4
GT-530	4-3-1
GT-531	4-3-3
GT-534	4-3-5
GT-540	4-3-7
GT-540P	4-3-7
GT-541	4-3-10
G-4500-2G	4-4-1
G-4500D-2G	4-4-1
G-4500P-2G	4-4-1
G-4500PD-2G	4-4-1
G-4500-3GWA	4-4-4
G-4500D-3GWA	4-4-4
G-4500P-3GWA	4-4-4
G-4500PD-3GWA	4-4-4
GT-321R-USB	6-2-1
GT-321R-RS232	6-2-1
GPS-721	6-2-5

I	
I-7540D-WF	2-3-1
I-8212W	4-2-7
I-8213W	4-2-7
I-87211W	6-2-3
IR-210	7-2-1

Model Name	Page
M	
M2M-711D	2-2-1
M2M RTU Center	4-5-2
M2M RTU API Tool	4-5-3

N	
NAPOPC.M2M DA Server	4-5-4

R	
RM-310-IR	7-2-1

S	
SST-900B	3-2-1
SST-2450	3-3-1
SMS DBS	4-5-1

T	
T-316	2-3-3

Z	
ZB-2550-T	5-2-1
ZB-2550-PA	5-2-1
ZB-2551-T	5-2-1
ZB-2551-PA	5-2-1
ZB-2570-T	5-2-4
ZB-2570-PA	5-2-4
ZB-2571-T	5-2-4
ZB-2571-PA	5-2-4
ZB-2015-T	5-3-1
ZB-2018-T	5-3-3
ZB-2552-T	5-3-5
ZB-2553-T	5-3-7
ZB-2560-T	5-3-9

W	
WISE-4000	4-3-12
WISE-4000D	4-3-12

ICP DAS Catalogs



High Reliability Industrial Ethernet Switch Catalog

- Managed Ethernet Switches
- Unmanaged Ethernet Switches
- PoE Ethernet Switches
- Media Converters
- Real-time Redundant Ring Ethernet Switches
- IP67 Waterproof Switches
- Cyber-Ring Ethernet Self-healing Technology



Industrial Communication & Networking Products Catalog

- Multi-port Serial Cards
- Programmable Device Servers (Serial-to-Ethernet)
- Converters, Repeater and Hubs
- Fieldbus Solutions
- Ethernet Switches



Compact PAC Products Catalog

- XP-8000-Atom Series
- XP-8000 Series
- WP-8000 Series
- LP-8000 Series
- iP-8000 Series
- ViewPAC Series
- MotionPAC Series
- I/O Expansion Units



Industrial CAN Bus Products Catalog

- CAN bus series
- CANopen series
- DeviceNet series
- J1939 series



Industrial Remote I/O Products Catalog

- RS-485 Remote I/O Modules
- Ethernet Remote I/O Modules
- FRnet I/O Modules
- CAN bus Remote I/O Modules
- PROFIBUS Remote I/O Modules



Industrial Wireless Communication Products Catalog

- Industrial Wireless series
- DSSS RF modems
- 2G/3G mini-PAC/Modules/Modems
- ZigBee converters & I/O modules
- GPS solutions



ICP DAS CO., LTD.

Taiwan (Headquarters)

Website: <http://www.icpdas.com>
 E-mail: service@icpdas.com
 TEL : +886-3-597-3366 FAX : +886-3-597-3733

China

Website: <http://www.icpdas.com.cn>
 E-mail: sales_sh@icpdas.com.cn
 TEL : +86-21-6247-1722 FAX : +86-21-6247-1725

Europe

Website: <http://www.icpdas-europe.com>
 E-mail: info@icpdas-europe.com
 TEL : +49 (0) 7121-14324-0 FAX : +49 (0) 7121-14324-90

USA

Website: <http://www.icpdas-usa.com>
 E-mail: sales@icpdas-usa.com
 TEL : +1-310-517-9888 FAX : +1-310-517-0998

Local Distributor