

10.6. Touch Panel Monitor



Features

- 10.4" LCD supports 800 x 600 resolution
- Resistive Touch Panel
- Full-function OSD control
- Driver Support: Windows 2k/XP/Vista/7/WES WinCE 5.0/6.0
- LED backlight technology
- Aluminum Casing for TPM-4100
- IP65 Compliant Front Panel
- Wide operating temperature: -20 ~ +70°C

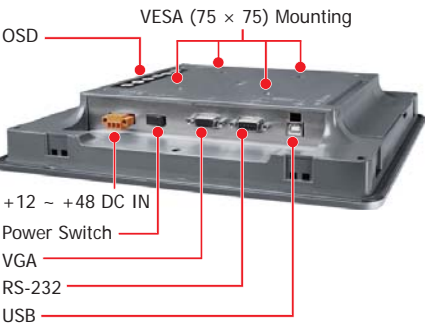


Specifications

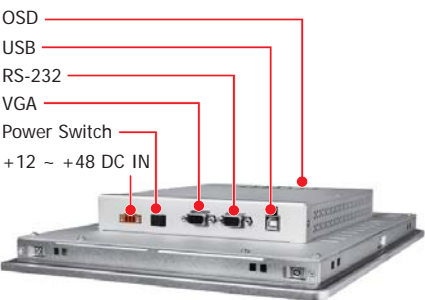
Models	TPM-4100	TP-4100
Display		
Size	10.4"	
Resolution	800 x 600	
Max. Color	16.7 M	
Luminance	400 cd/m2	
Touch screen	4-wire, analog resistive Light Transmission: 80%	5-wire, analog resistive Light Transmission: 80%
Contrast Ratio	500 : 1	
Viewing Angle (H/V)	140/130	
Backlight Life (hrs)	50,000	
Touchscreen function	Combo RS-232 & USB interface	
Input Signal	VGA (Analog RGB)	
MMI (Man Machine Interface)		
OSD Control	Functions: Brightness, Contrast, Phase, Horizontal Position, Vertical Position and Sharpness	
Power Switch	Yes	
LED Indicators	Power, Display signal is detected	
Power		
Input Range	+12 ~ +48 Vdc	
Power Consumption	8.5 W	
Mechanical		
Material	Aluminum	Plastic
Dimensions (W x L x H)	293 mm x 231 mm x 53 mm	291 mm x 229 mm x 54 mm
Installation	Panel Mounting	Panel Mounting, VESA (75 x 75) Mounting
Ingress Protection	Front panel: IP65	
Environmental		
Operating Temperature	-20 ~ +70°C	
Storage Temperature	-30 ~ +80°C	
Ambient Relative Humidity	10 ~ 90% RH (non-condensing)	

Appearance

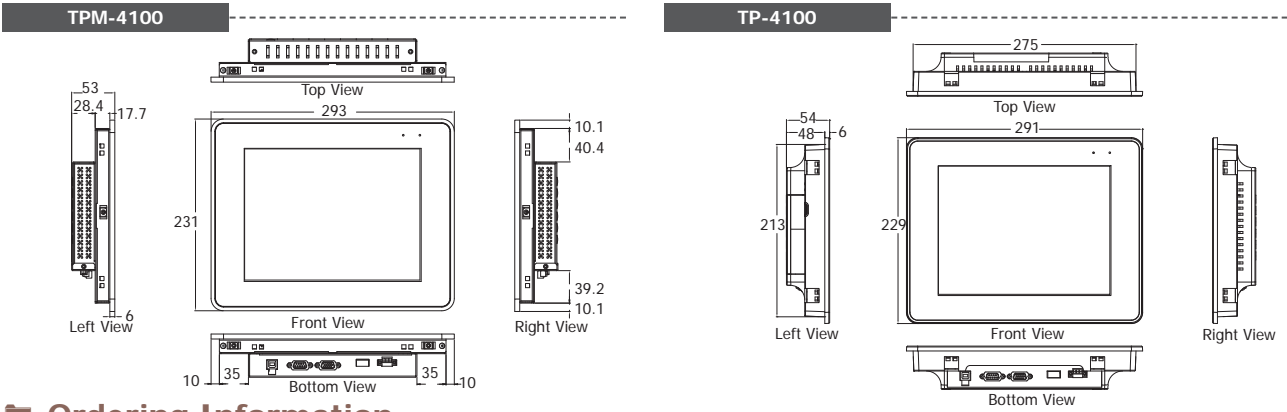
TP-4100



TPM-4100



Dimensions (Units: mm)



Ordering Information

TP-4100	10.4" (800 x 600) resistive touch panel monitor with RS-232 or USB interface Accessories: Power supply, VGA cable, RS-232 cable, USB cable, Mounting clamps and screws
----------------	---

TP-4100/NP	TP-4100 without Power supply
TPM-4100	TP-4100 with Aluminum Casing

Accessories