

I-7043

I-7043D

16-channel Non-isolated DO Module

Features

- Sink-type Digital Outputs
- Open Collector Output
- Configurable Power-on Value Settings
- Configurable Safe Value Settings
- Non-isolated for all channels
- Cost-effective
- Dual Watchdog
- Wide Operating Temperature Range: -25 ~ +75°C



Introduction

The I-7043 offers 16 channels for digital output, each of which are non-isolated and supports sink-type output with open collector. There are options to enable both power-on and safe values. The I-7043D has 16 LED indicators for channel status monitoring. The hardware specifications for the M-7043 are the same as I-7043 and both support the Modbus RTU and DCON protocols which can be configured via software.

Applications

Building Automation, Factory Automation, Machine Automation, Remote Maintenance, Remote Diagnosis, Testing Equipment.

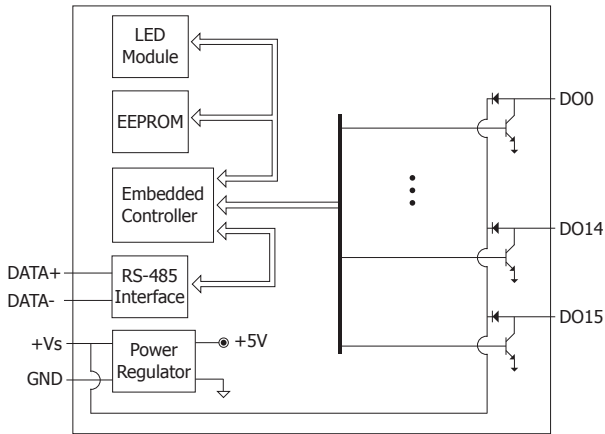
System Specifications

Models	I-7043	I-7043D
Communication		
Interface	RS-485	
Format	(N, 8, 1) (N, 8, 2) (E, 8, 1) (O, 8, 1)	
Baud Rate	1200 ~ 115200 bps	
Protocol	DCON	
Dual Watchdog	Yes, Module (1.6 Seconds), Communication (Programmable)	
LED Indicator/Display		
System LED Indicator	Yes, 1 LED as Power/Communication Indicator	
I/O LED Indicator	-	Yes
7-Segment LED Display	-	
Isolation		
Intra-Module Isolation, Field-to-Logic	-	
EMS Protection		
ESD (IEC 61000-4-2)	-	
EFT (IEC 61000-4-4)	-	
Power		
Reverse Polarity Protection	Yes	
Input Range	10 ~ 30 Vdc	
Consumption	0.4 W	1.1 W
Mechanical		
Dimensions (W x L x H)	72 mm x 123 mm x 35 mm	
Installation	DIN-Rail or Wall Mounting	
Environment		
Operating Temperature	-25 ~ +75°C	
Storage Temperature	-40 ~ +85°C	
Humidity	10 ~ 95% RH, Non-condensing	

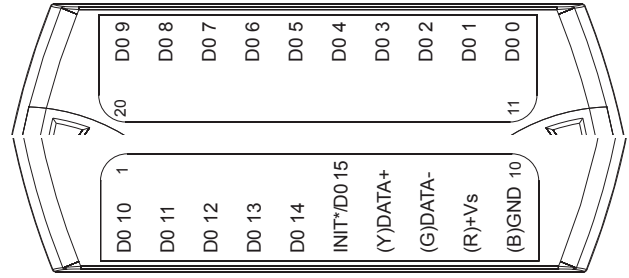
I/O Specifications

Models	I-7043	I-7043D
Digital Output		
Channels	16	
Type	Open Collector	
Sink/Source (NPN/PNP)	Sink	
Load Voltage	+3.5 ~ 30 Vdc	
Max. Load Current	100 mA/Channel	
Overvoltage Protection	-	
Overload Protection	-	
Power-on Value	Yes	
Safe Value	Yes	

Internal I/O Structure



Pin Assignments



Wire Connections

Output Type	ON State Readback as 1	OFF State Readback as 0
Open Collector Output (Resistance Load)		
Open Collector Output (Inductive Load)		

Ordering Information

I-7043 CR	16-channel Non-isolated DO Module with DCON Protocol (Blue Cover) (RoHS)
I-7043D CR	I-7043 with LED Display (Blue Cover) (RoHS)
I-7043D-G CR	I-7043 with LED Display (Gray Cover) (RoHS)

Accessories

	tM-7520U CR	RS-232 to RS-485 converter (RoHS)
	tM-7561 CR	USB to RS-485 converter (RoHS)
	tM-SG4 CR	RS-485 Pull-high/Pull-low and Termination Resistor Module (RoHS)
	I-7514U CR	4-channel RS-485 Hub (RoHS)
	SG-770 CR	7 channel differential or 14 channel single-ended surge protector (RoHS)
	SG-3000 series	Signal Conditioning Modules for Thermocouple, RTD, DC Voltage, DC Current and Power Inputs