



**I-7065B(D)**

**M-7065B(D)**

4-channel Isolated DI and 5-channel DC SSR Output Module

### Features

- 4 Digital Inputs and 5 DC SSR Outputs
- Source and Sink Type for DI
- Fast Response Time
- Bounceless Operation and Increased Lifetime
- 4 kV ESD Protection
- DI Can Be Used As 16-bit Counters
- Configurable Power-on Value Settings
- Configurable Safe Value Settings
- 3750 V<sub>rms</sub> Isolation Voltage
- Dual Watchdog
- Wide Operating Temperature Range: -25 ~ +75°C



### Introduction

The I-7065B offers 4-channel digital inputs and 5-channel Form A DC SSR outputs. Unlike electromechanical relays, SSRs has faster response time, bounceless operation and increased lifetime. It can be used in explosive environments where a spark must not be generated during turn-on. Moreover, you can choose either sink type or source type of digital input via wire connections. All Input channels are able to be used as 16-bit counters. I-7065BD also has 9 LED indicators for power relay outputs and digital inputs status monitoring. 4 kV ESD protection and 3750 V<sub>rms</sub> isolation voltage are standard.

### Applications

Building Automation, Factory Automation, Machine Automation, Remote Maintenance, Remote Diagnosis, Testing Equipment.

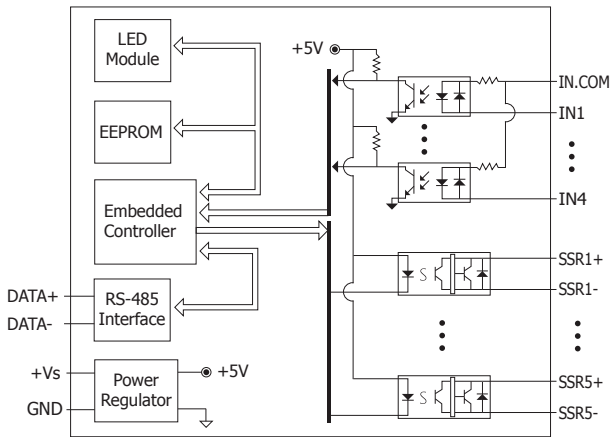
### System Specifications

Models	I-7065B	I-7065BD	M-7065B	M-7065BD
<b>Communication</b>				
Interface	RS-485			
Format	N, 8, 1			
Baud Rate	1200 ~ 115200 bps			
Protocol	DCON		Modbus RTU, DCON	
Dual Watchdog	Yes, Module (1.6 Seconds), Communication (Programmable)			
<b>LED Indicator/Display</b>				
System LED Indicator	Yes, 1 LED as Power/Communication Indicator			
I/O LED Indicator	-	Yes	-	Yes
7-Segment LED Display	-			
<b>Isolation</b>				
Intra-Module Isolation, Field-to-Logic	3750 V <sub>rms</sub>			
<b>EMS Protection</b>				
ESD (IEC 61000-4-2)	4 kV Contact for Each Terminal			
	8 kV Air for Random Point			
EFT (IEC 61000-4-4)	+/-2 kV			
<b>Power</b>				
Reverse Polarity Protection	Yes			
Input Range	10 ~ 30 V <sub>dc</sub>			
Consumption	0.7 W	1.5 W	0.7 W	1.5 W
<b>Mechanical</b>				
Dimensions (W x L x H)	72 mm x 123 mm x 35 mm			
Installation	DIN-Rail or Wall Mounting			
<b>Environment</b>				
Operating Temperature	-25 ~ +75°C			
Storage Temperature	-40 ~ +85°C			
Humidity	10 ~ 95% RH, Non-condensing			

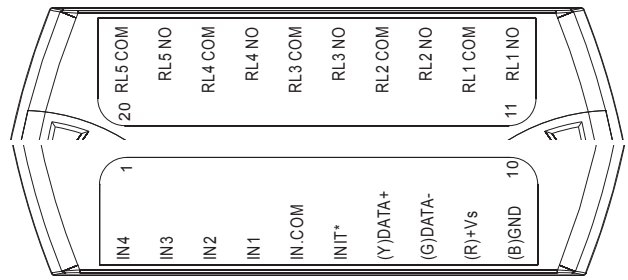
### I/O Specifications

Models	I-7065B	I-7065BD	M-7065B	M-7065BD
<b>SSR DC Output</b>				
Channels	5			
Type	DC-SSR (Form A)			
Operating Voltage Range	3 ~ 30 V <sub>dc</sub>			
Max. Load Current	1.0 A			
Leakage Current	0.1 mA			
Min. Operate Time	1 ms			
Min. Release Time	1 ms			
Dielectric Strength	2500 V <sub>rms</sub>			
Electrical Endurance	Long Life and No Spike			
Power-on Value	Yes			
Safe Value	Yes			
<b>Digital Input/Counter</b>				
Channels	4			
Contact	Wet			
Sink/Source (NPN/PNP)	Sink/Source			
On Voltage Level	+1 V <sub>dc</sub> Max.			
Off Voltage Level	+4 ~ 30 V <sub>dc</sub>			
Counters	Max. Count	65535 (16-bit)		
	Max. Input Frequency	100 Hz		
	Min. Pulse Width	5 ms		
Input Impedance	3 kΩ			

### Internal I/O Structure



### Pin Assignments



### Wire Connections

Digital Input/Counter	ON State Readback as 1 OPEN or <1 Vdc	OFF State Readback as 0 +4 ~ +30 Vdc
Sink		
Source		
Output Type	ON State Readback as 1	OFF State Readback as 0
Relay Output		

### Ordering Information

<b>I-7065B CR</b>	4-channel Isolated DI and 5-channel DC SSR Output Module with DCON Protocol(Blue Cover) (RoHS)
<b>I-7065BD CR</b>	I-7052 with LED Display (Blue Cover) (RoHS)
<b>M-706B5 CR</b>	4-channel Isolated DI and 5-channel Relay Output Module with DCON and Modbus Protocol (RoHS)
<b>M-7065BD CR</b>	M-7052 with LED Display (RoHS)

### Accessories

	tM-7520U CR	RS-232 to RS-485 converter (RoHS)
	tM-7561 CR	USB to RS-485 converter (RoHS)
	tM-SG4 CR	RS-485 Pull-high/Pull-low and Termination Resistor Module (RoHS)

	I-7514U CR	4-channel RS-485 Hub (RoHS)
	SG-770 CR	7 channel differential or 14 channel single-ended surge protector (RoHS)
	SG-3000 series	Signal Conditioning Modules for Thermocouple, RTD, DC Voltage, DC Current and Power Inputs